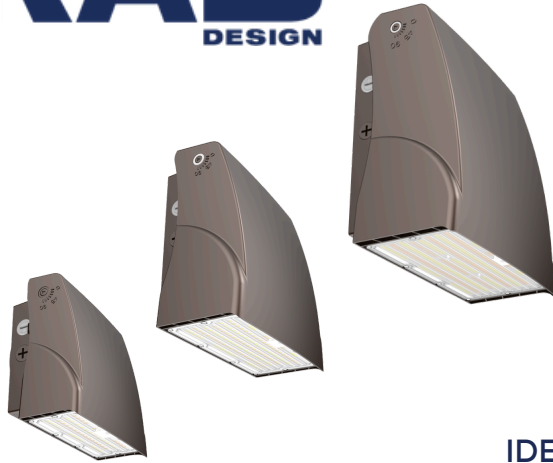




Adjustable Wall Light

AWLX-LED



The AWLX-LED series architectural wall light features an adjustable head for precise, targeted illumination. It includes selectable lumen output and CCT, universal voltage compatibility, and an integrated photocell sensor with on/off control. Designed for perimeter lighting applications, it is well-suited for schools, commercial, and residential buildings.

IDEAL APPLICATIONS

- Perimeter Areas
- Commercial Buildings
- Schools
- Condos & Townhouses

SPECIFICATIONS

	AWL1X-LED15	AWL1X-LED30A15	AWL2X-LED50A30	AWL2X-LED80A50	AWL3X-LED120A80
PERFORMANCE					
Light Output	2300 lm	4400/3050/2300 lm	7900/6300/4700 lm	12500/9300/7700 lm	17600/14750/11800 lm
Efficacy	155 lm/W	152 lm/W	160 lm/W		155 lm/W
CCT	CCT Selectable - 3000K/4000K/5000K, 2200K				
Replaces Up To	75W MH	100W MH	150W MH	250W MH	400W MH
LED Lifetime (L80)	>100 000 Hours				
CRI	83				
ELECTRICAL					
Wattage	15 W	30/20/15 W	50W/40/30 W	80/60/50 W	120/100/80 W
Voltage	120-347 V				
Surge Protection	6kV (Built-in Driver) as per IEC/EN61000-4-5				6kV (Built-in Driver) + 10 kV external as per IEC/EN61000-4-5
Power Factor	≥0.9				
THD	≤15%				
CONSTRUCTION					
Housing	Die Cast Aluminum				
Conduit Entries	Four 1/2" NPS on sides, One 1/2" NPS on back side				
Lens	Clear Polycarbonate				
Finish	Bronze (Standard), Custom Finish				
Paint Specs	Weather & corrosion resistant polyester powder coated, 500 hours salt spray tested paint as per ASTM B117				
Weight	3 lbs		5 lbs		
AMBIENT OPERATING TEMPERATURE					
-40°C to +50°C (-40°F to 122°F)					
CERTIFICATIONS					
cULus Listed for Canada and USA, per UL 1598, CSA C22.2 No. 250.0, IP65, Wet Location, DLC Premium					
CONTROLS					
Dimming	0-10V (10% to 100% Dimming, Dim to Off)				
Sensor	Photocell (Standard), DHFS/BC (Factory installed)				

Notes:

Electrical and Light Performance data is based on LM79 test report at 4000K, 120V.

Default Setting: Highest wattage/ 4000K



ORDERING GUIDE





Fixture	Wattage	Voltage	Colour Temp.	Finish	Dimming	Controls	Options
AWL1X	LED15	H - 120-347V	VK - CCT Selectable (3000K/ 4000K/ 5000K)	BRZ - Bronze ¹	DIM - 0-10V Dimming	PC - Photocell ¹	BLANK
	LED30A15			BLK - MATTE BLACK		DHFS - Motion Sensor	
AWL2X	LED50A30			2.2K - 2200K ³	CST - Custom Colour	BC - Bluetooth Controlled	
	LED80A50						
AWL3X	LED120A80						

¹ Standard Configuration




² Standard Configuration for AWL3X

³ Available with AWL2X-LED80A50, AWL3X-LED120A80

STOCK CODE	
084801	AWL1X-LED15-H-VK-BRZ-DIM-PC
084802	AWL1X-LED30A15-H-VK-BRZ-DIM-PC
084803	AWL2X-LED50A30-H-VK-BRZ-DIM-PC
084804	AWL2X-LED80A50-H-VK-BRZ-DIM-PC
084805	AWL3X-LED120A80-H-VK-BRZ-DIM-PC-SP10

INCLUDED IN THE BOX	
EVA GASKET	
ALLEN KEY	

ACCESSORIES SOLD SEPARATELY

087016	RC100 MOTION SENSOR REMOTE CONTROL (Used with DHFS)	
084215	BLUETOOTH 3-KEY AC LINE VOLTAGE WALL SWITCH 120-277VAC, 3-KEYS(ON/OFF, DIM+, DIM-)	
084633	BLUETOOTH 5-KEY BATTERY POWERED WIRELESS WALL SWITCH & PLATE (Can be used as portable remote control)	

ADDITIONAL DETAILS

MAX AMPERAGE DRAW (A)					
	AWL1X-LED15	AWL1X-LED30A15	AWL2X-LED50A30	AWL2X-LED80A50	AWL3X-LED120A80
120V	0.13	0.26	0.44	0.70	1.05
208V	0.08	0.15	0.25	0.40	0.61
240V	0.07	0.13	0.22	0.35	0.53
277V	0.06	0.11	0.19	0.30	0.46
347V	0.05	0.09	0.15	0.24	0.36

LUMEN MAINTENANCE		
L90	L80	L70
>60000 Hrs	>100000 Hrs	>100000 Hrs

Life hours are derived from IESNA LM-80 testing report and projected per IESNA TM-21 calculations.


DIMMING HIGH FREQUENCY MOTION SENSOR (DHFS)

DHFS Microwave motion sensor offers a range of control features based on motion detection allowing the Installer to adjust the brightness of the fixture, hold time and daylight settings using a remote control after installation.

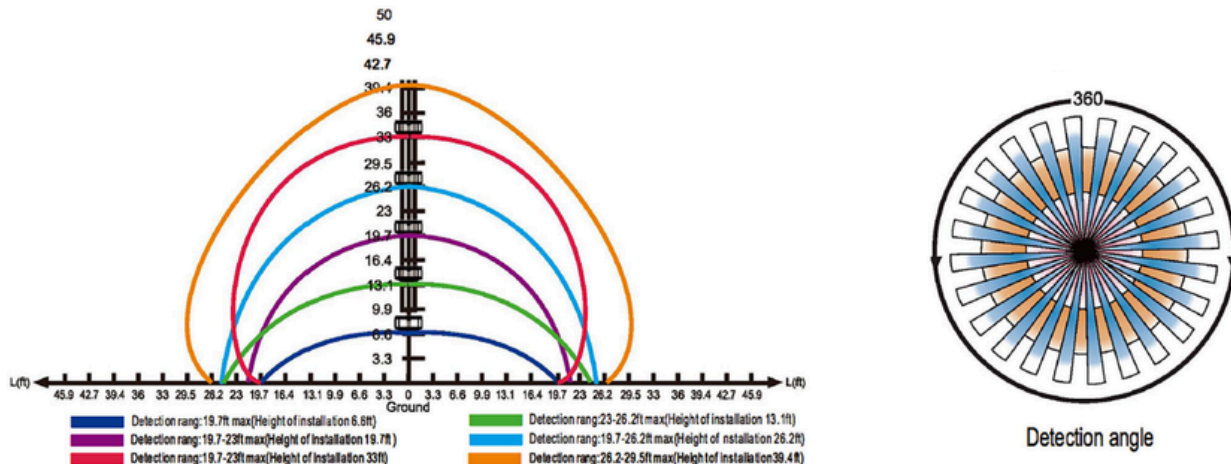
SENSOR SPECIFICATIONS	
POWER SUPPLY	12V-24V DC
HIGH FREQUENCY SYSTEM	5.8GHZ +/-75MHZ
DIM CONTROL OUTPUT	0-10V, MAX. 25MA
DETECTION RADIUS/ANGLE	MAX 26FT (8M)/360°
MOUNTING HEIGHT	MAX 40FT
REMOTE RANGE	50FT. (15M) NO BACKLIGHT
HUMIDITY	MAX. 90% RH

DEFAULT FACTORY SETTING	
BRIGHTNESS	100%
SENSITIVITY	100%
HOLD TIME	5 MINS
DAYLIGHT SENSOR	☼ - DISABLED
STAND-BY DIM	30%
STAND-BY TIME	60 MINS

RC100 REMOTE SPECIFICATIONS (FOR DHFS CONTROLLER)

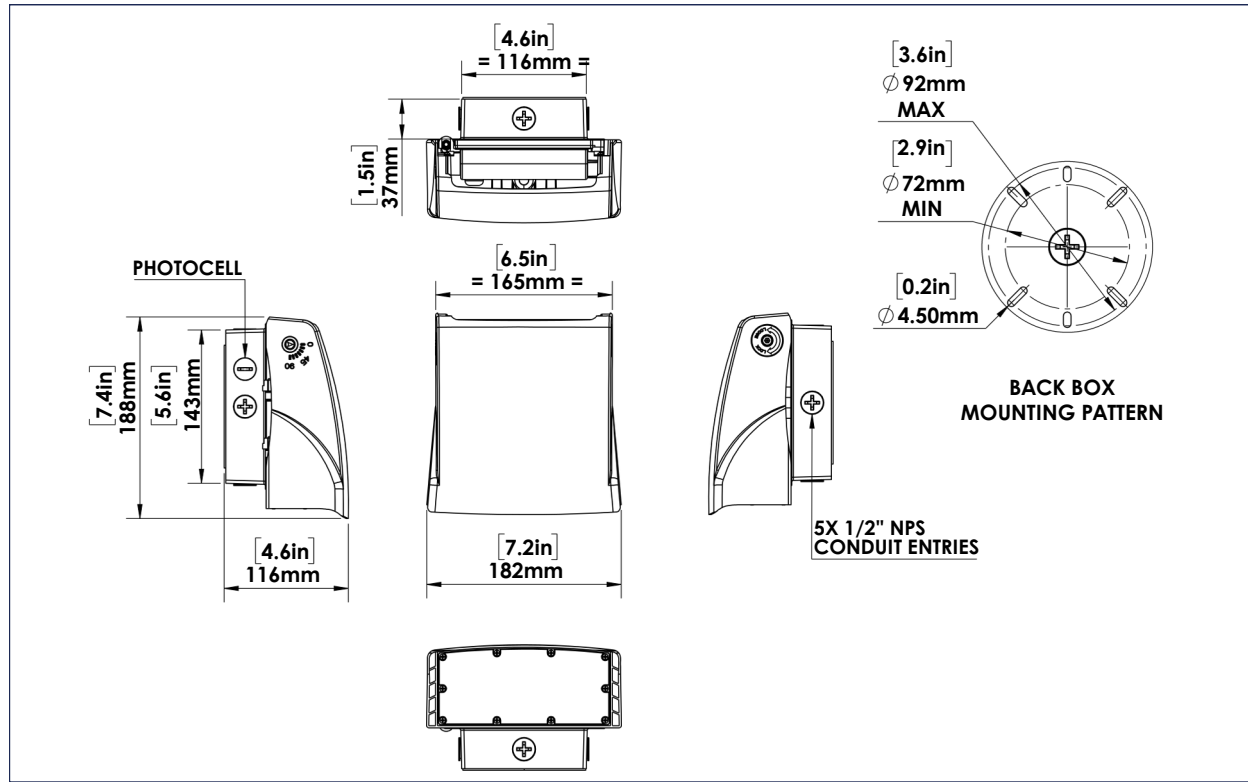
FEATURES		
	BRIGHTNESS:	Sets the highest light fixture brightness when motion is detected.
	SENSITIVITY:	Sets the sensitivity to which the sensor will detect motion.
	HOLD TIME:	The time the light fixture will remain at the brightness setting after it detects motion.
	DAYLIGHT SENSOR:	The lux setting that the light fixture will turn on/off. If the ambient lux is more than the defined lux setting, the fixture & sensor function will turn off and remain off until the ambient lux is below the setting. To disable the lux sensor, select the SUN icon. To set the lux to match current room conditions, select the EYE icon.
	STAND-BY DIM:	The Dim level that the light fixture will dim down after the Hold Time has expired. To disable dimming and only have ON/OFF, select the 0% icon
	STAND-BY TIME:	The time the light fixture will remain in the dim down state before it shuts off. To disable the light from shutting off, select the INFINITY icon.

SENSOR COVERAGE

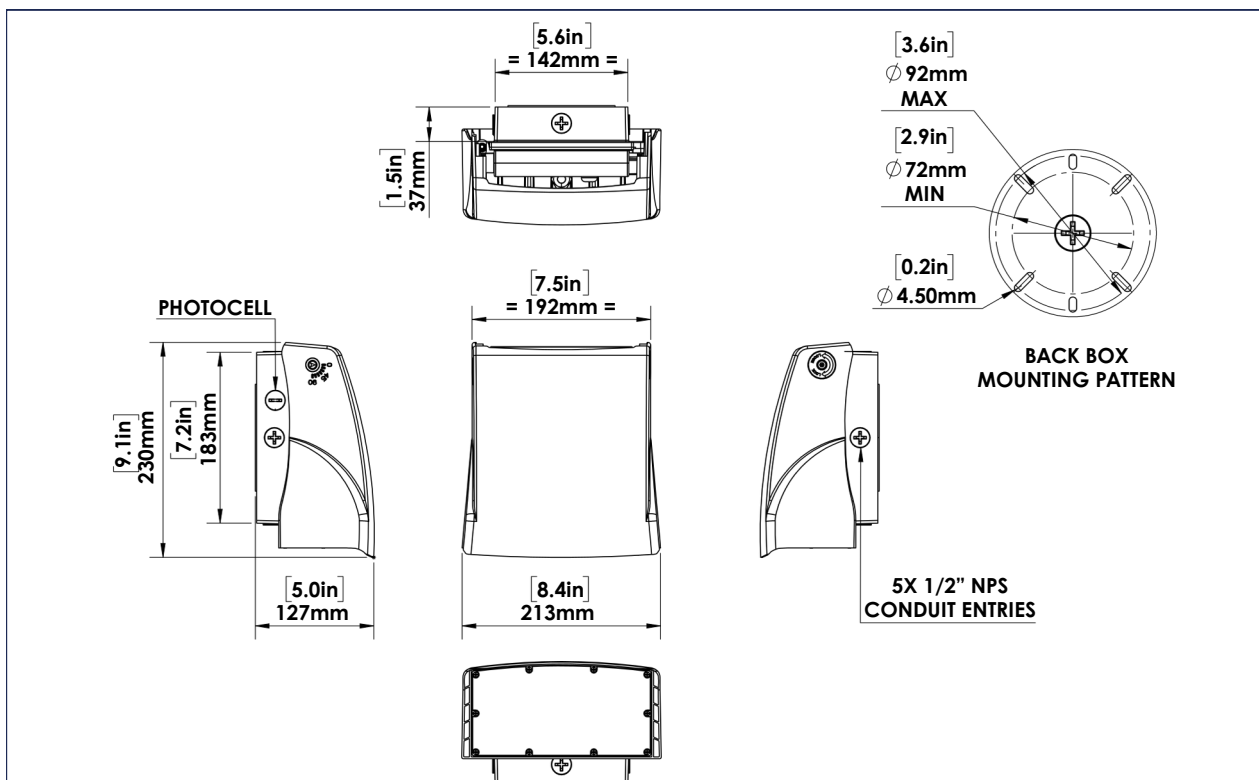


DIMENSIONS

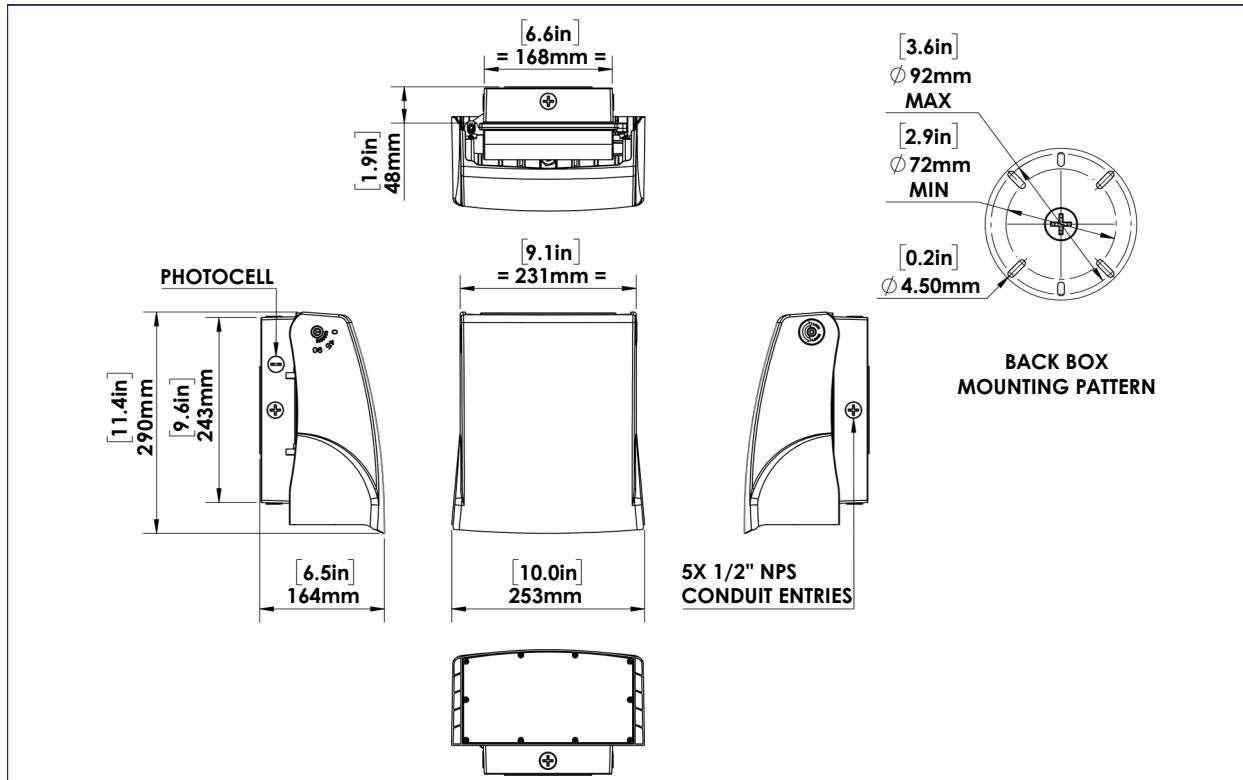
AWL1X



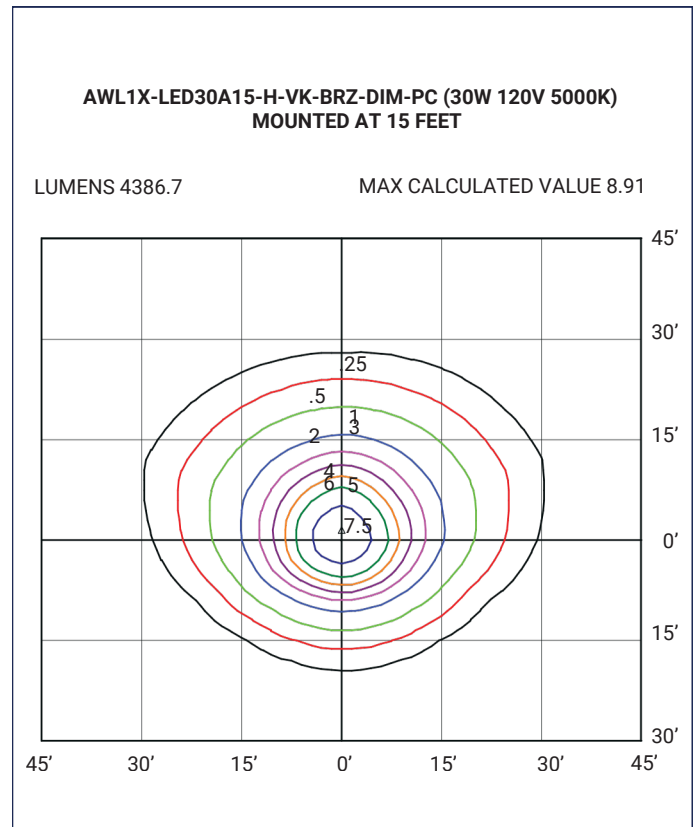
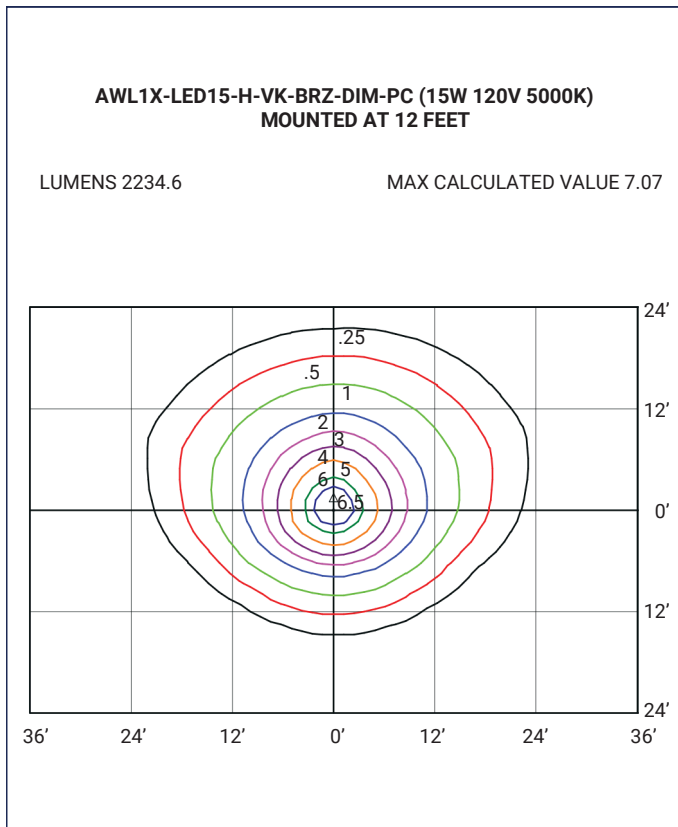
AWL2X

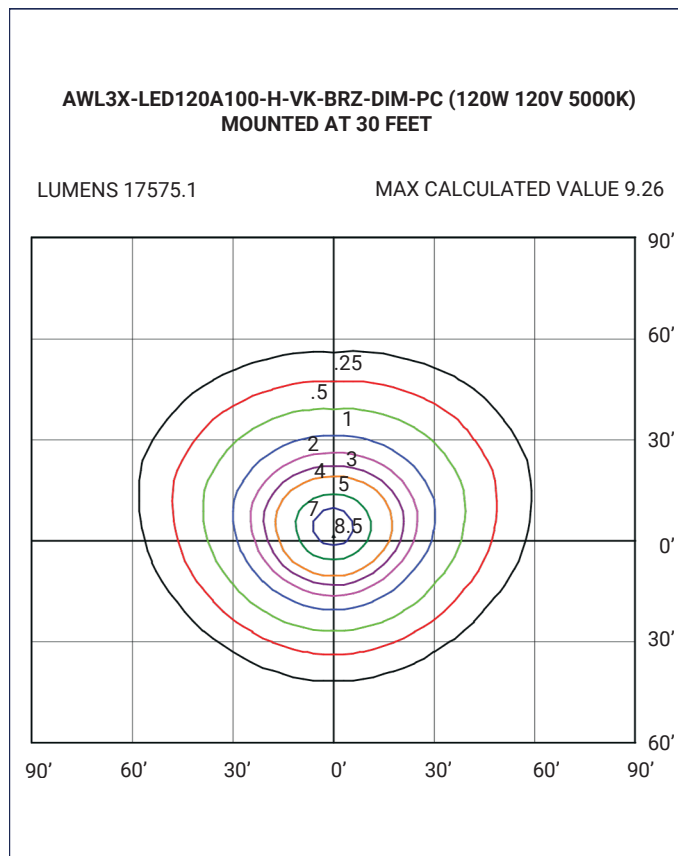
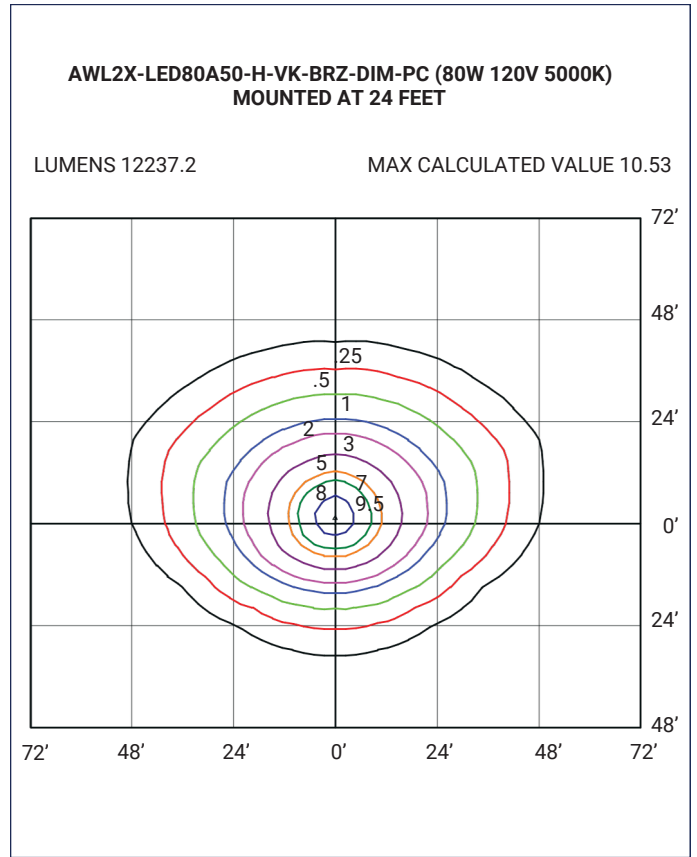
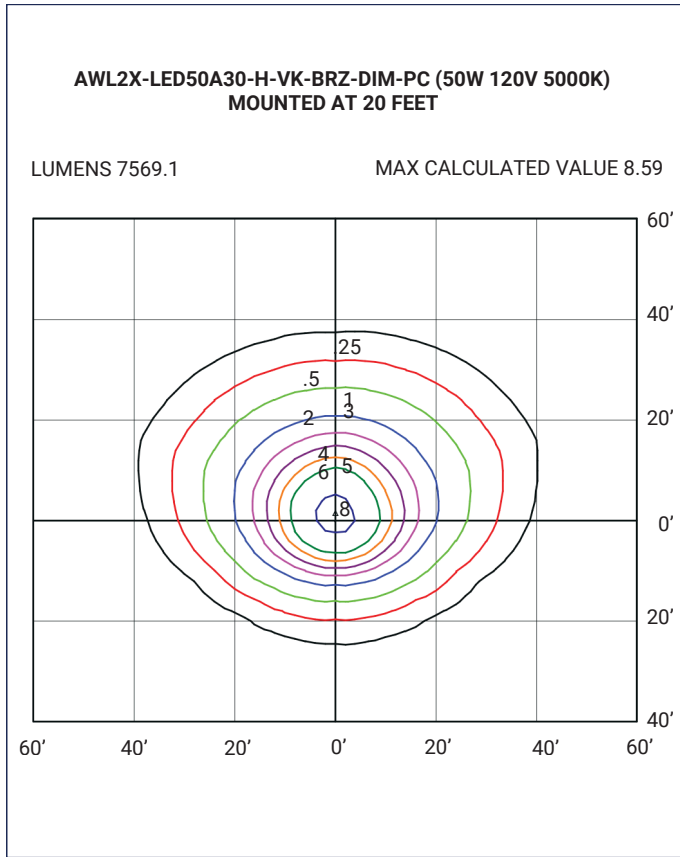


AWL3X



PHOTOMETRIC PLOTS

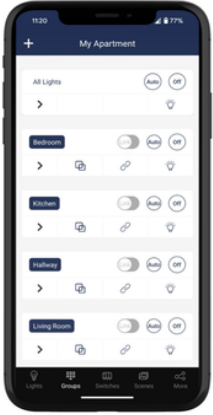




CONTROLLED

RAB
DESIGN

ControlLED Network Lighting Controls (NLC) delivers secure, wireless lighting management with Bluetooth Mesh and the ControlLED App. Integrated sensors enable automatic adjustments for comfort, safety, and efficiency.



Organized Areas:

Create Zones, Groups and Group linkages.



Dimming Lights:

Set dim level for groups or individual lights.



Scenes:

Create custom scenes for different scenarios.



Schedules:

Create custom schedules for recurring events.



Share Access:

Share access using QR codes.

BLUETOOTH CONTROL

FEATURES

- Bluetooth mesh network
- DLC - Networked Lighting Control (NLC) & Luminaire Level Lighting Control (LLLC)
- Group and Individual fixture dimming
- Scenes & Schedules

SPECIFICATIONS

Input Voltage	12 VDC
Input Current	Min 150mA
Output Current	10mA Max.
Dimming	Class 2, 0-10 VDC
Bluetooth Transmit	860ft Max.
Radio Frequency	2.4GHz ±75MHz
Bluetooth Version	5.0

Get the App!

