

RAB[®] DESIGN

Post Top Area Light XBAR-LED Select



The XBAR-LED Series is a slim, round post top area light which offers universal features including colour selectability, wattage selectability and wide voltage driver, allowing customer to choose the right setting for their job. A high quality post top comes with high efficacy, additional surge protection, standard photocell, and corrosion resistant powder coat finish makes XBAR-LED a popular choice for many post top area light applications.

IDEAL APPLICATIONS

- ✔ Parking Lots
- ✔ Area Lighting
- ✔ Courtyards
- ✔ Condos
- ✔ Commercial Plazas

SPECIFICATIONS

	XBAR1-LED35A15	XBAR1-LED75A35	XBAR2-LED100A60	XBAR2-LED150A100
PERFORMANCE				
Light Output	Lumen Selectable			
	5000/3600/2200 lm	11000/8000/5100 lm	15300/12300/9200 lm	22000/18000/15000 lm
Efficacy	143 lm/W	147 lm/W	153 lm/W	150 lm/W
CCT	3000/4000/5000K (CCT Selectable)			
Beam Distribution	90 Degree			
B-U-G Rating	2-2-1	3-3-1	3-3-2	4-3-2
Replaces Up to	100W MH	150W MH	250W MH	400W MH
LED Lifetime (L80)	>100,000 Hrs			
CRI	83			
ELECTRICAL				
Wattage	35/25/15 W	75/55/35 W	100/80/60 W	150/120/100 W
Voltage	120-347V			
Surge Protection	6 kV Internal (LED Driver) & 10 kV External per UL1449			
Power Factor	>0.9			
THD	<17%			
Cord	Input Power - 1 m SOOW Cable (3x18 AWG), Dimming - 1 m SJOW Cable (2x18 AWG)			
CONSTRUCTION				
Housing	Die-cast Aluminum			
Paint	Weather and Corrosion-resistant polyester powder coat finish with 200 hours salt spray rating as per ASTM B117			
Lens	Clear Polycarbonate			
Weight	4.5 kg (9.9 lbs)		6.5 kg (14.4 lbs)	
Mounting Type	Post top (Fits 2-3/8" to 3" Tenon) ¹			
AMBIENT OPERATING TEMPERATURE				
-40°C to 45°C (-40°F to 113°F)				
CERTIFICATIONS				
cULus Certified as per UL 1598 & CSA C22.2, IP65, Wet Location, DLC Premium				
CONTROLS				
Dimming	0-10V (10% to 100% Dimming, Dim to Off)			
Sensor	Integrated Photocell			

Note:

Electrical and light performance data is based on LM79 test reports, measure at maximum wattage, 4000K, and 120V.

¹Installing fixture on 2-3/8" Tenon will leave some gap between the fixture and the tenon.



ORDERING GUIDE



Fixture	Wattage	Voltage	Colour Temp.	Beam Distribution	Finish	Dimming	Controls	Surge Protection
XBAR1	LED35A15	H - 120-347V	VK - Colour Selectable (3000K/4000K/5000K)	90DEG - 90 Degree	SBK - Sandex Black ¹ CST - Custom Finish	DIM - 0-10V Dimming	PC - Dusk to Dawn ON/OFF Photocell ¹ TPC - Twist-lock Photocell	SP10 - 10kV Surge Protection ¹ SP20 - 20kV Surge Protection
	LED75A35							
XBAR2	LED100A60						3PIN - 3 pin receptacle for ON/OFF photocells 7PIN - 7 pin receptacle for smart control systems	
	LED150A100							

¹Standard Configuration

Default Setting: Maximum Wattage, 4000K and Photocell ON

Super Durable paint finish with a 3000-hour salt spray resistance rating (per ASTM B117) & Custom CCT options are available upon request.

Please contact Customer Success for additional details.

STOCK CODE	
084501	XBAR1-LED35A15-H-VK-90DEG-SBK-DIM-PC-SP10
084502	XBAR1-LED75A35-H-VK-90DEG-SBK-DIM-PC-SP10
084503	XBAR2-LED100A60-H-VK-90DEG-SBK-DIM-PC-SP10
084504	XBAR2-LED150A100-H-VK-90DEG-SBK-DIM-PC-SP10

ADDITIONAL DETAILS

LUMEN MAINTENANCE		
L90	L80	L70
51,000 Hrs	>100,000 Hrs	>100,000 Hrs

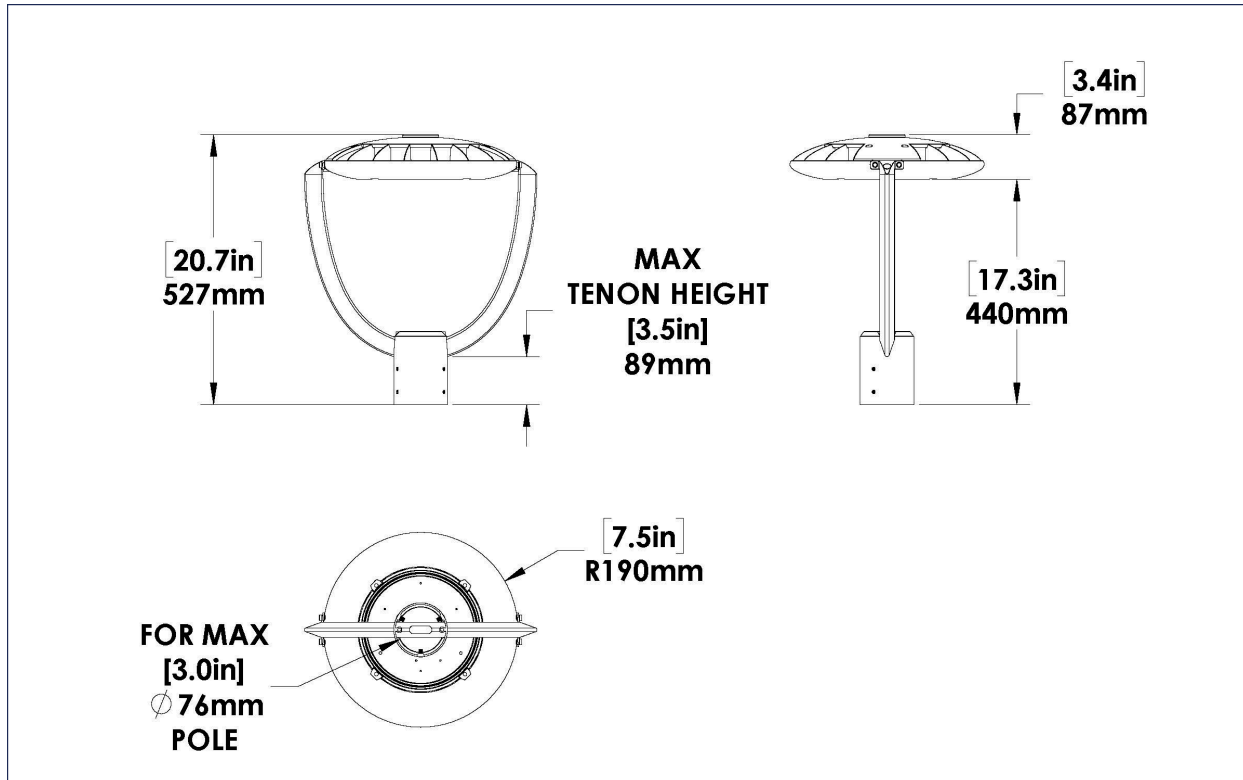
Life hours are derived from IESNA LM-80 testing report and projected per IESNA TM-21 calculations.

MAXIMUM AMPERAGE DRAW (A)				
	XBAR1-LED35A15	XBAR1-LED75A35	XBAR2-LED100A60	XBAR2-LED150A100
120V	0.31	0.66	0.88	1.31
208V	0.18	0.38	0.51	0.76
240V	0.15	0.33	0.44	0.66
277V	0.13	0.28	0.38	0.57
347V	0.11	0.23	0.3	0.45

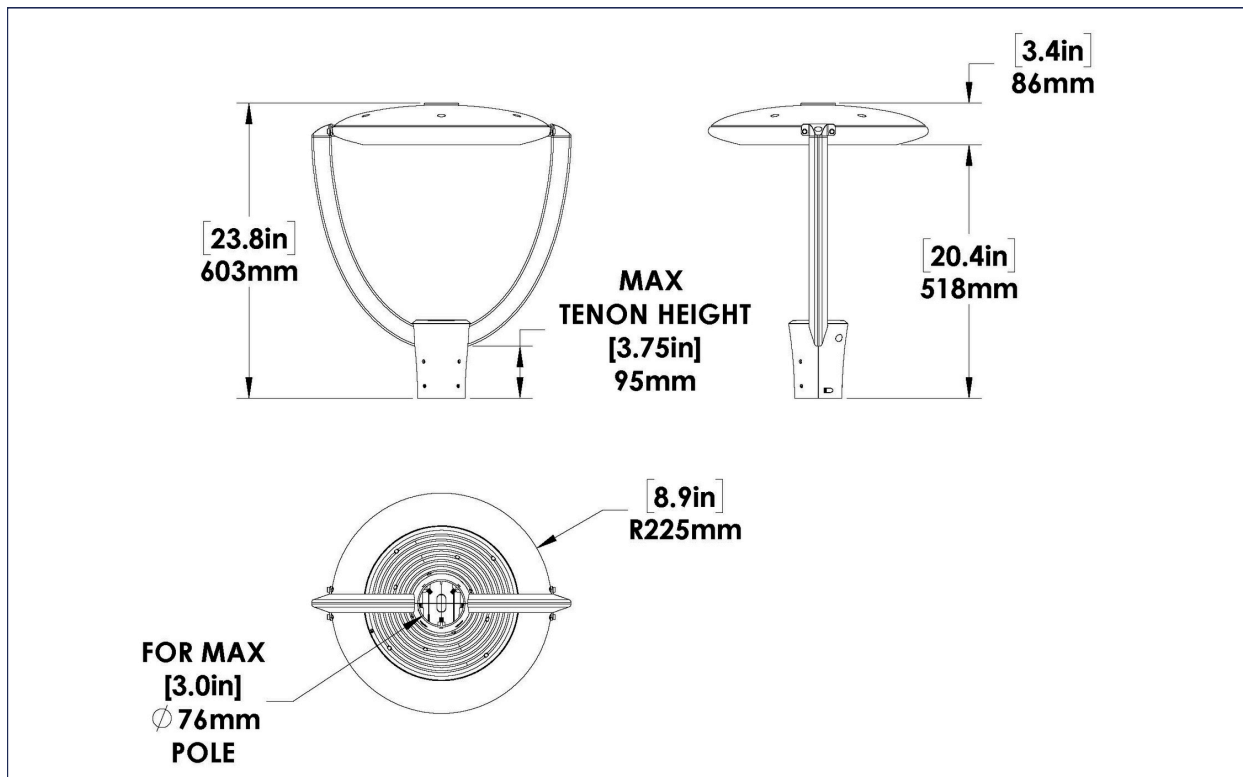
EPA (ft ²) - 0° Tilt	
XBAR1	XBAR 2
1.07	1.29

DIMENSIONS

XBAR1-LED



XBAR2-LED



PHOTOMETRIC PLOTS

