

DEX-5 VXJ EXTENSION RING

⊕ ROUND COVER



INCLUDES:

⊕ x 4 plugs

CONSTRUCTION

- Die cast aluminum extension ring with four 1/2" conduit entries.
- Natural aluminum finish.

FEATURES

- Package includes extension ring and 4 plugs.

APPLICATION:



Ideal for industrial or commercial use



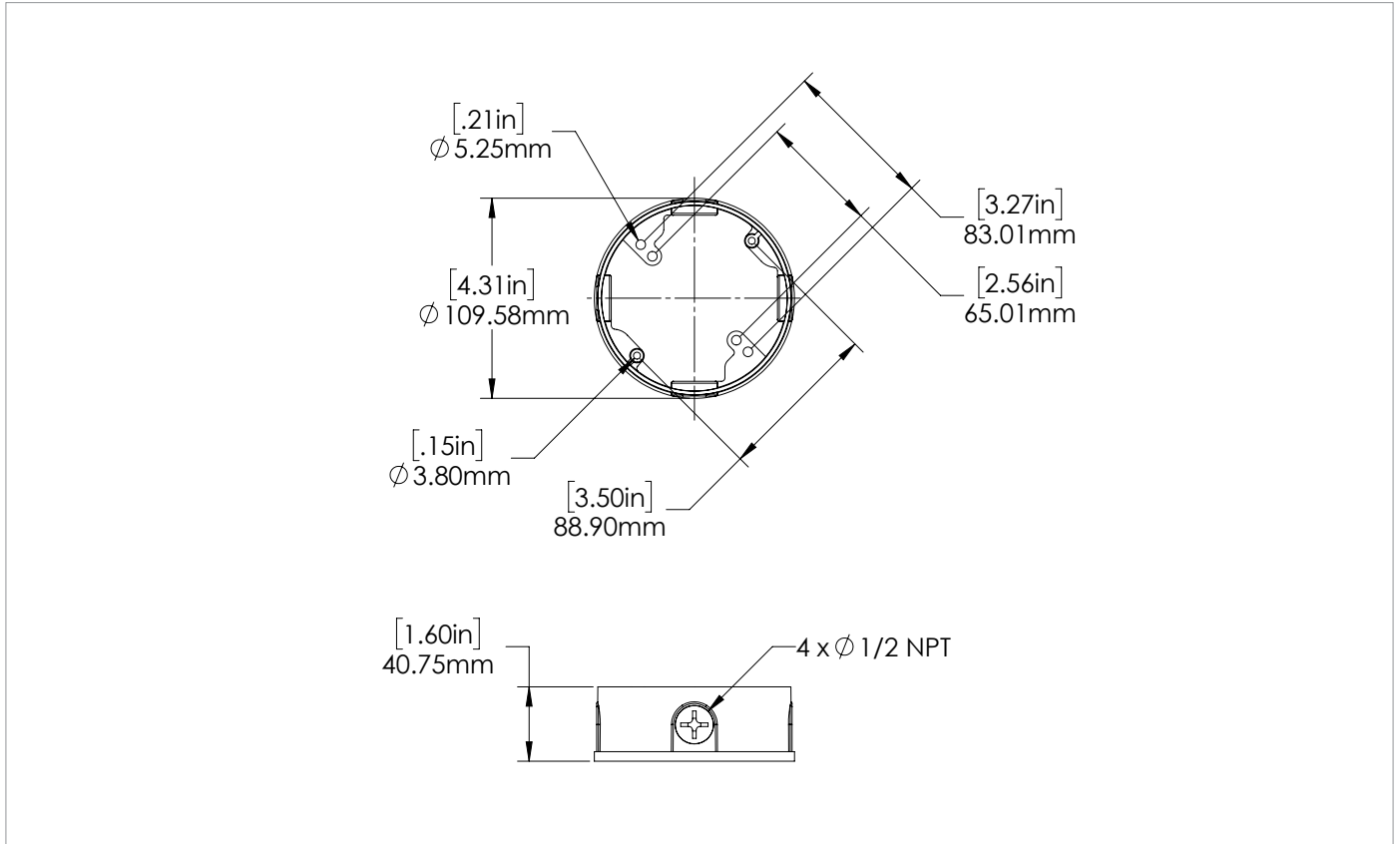
Weather resistant

CERTIFICATION:





DIMENSIONS



ORDER INFO

STOCK CODE / DESCRIPTION

095793 DEX-5VXJ - EXTENSION RING - 4 X 1/2" ENTRIES