

GFI-V COVER

☐ RECTANGULAR COVERS



INCLUDES:

 x 1 gasket

 screws

CONSTRUCTION

- Die cast aluminum 1 Gang GFI vertical cover.
- Durable silver grey powder coat paint finish.

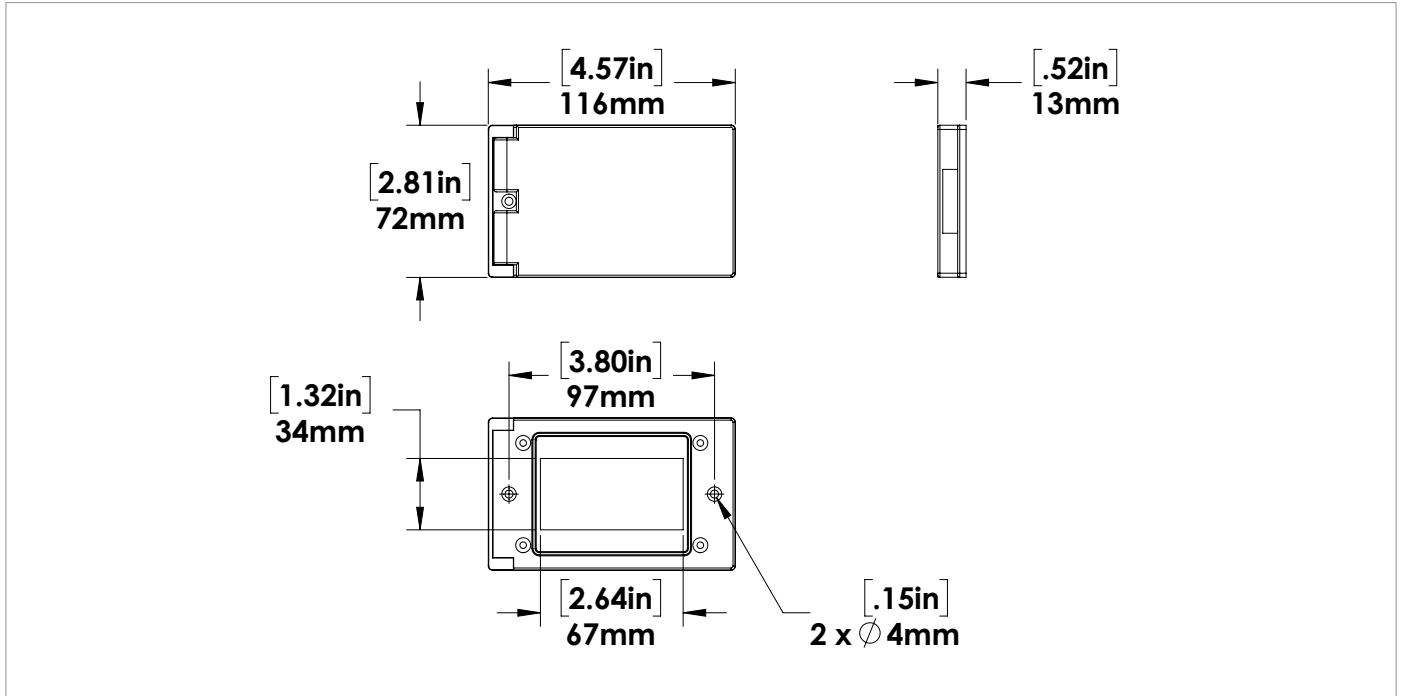
FEATURES

- Cover has spring loaded lids and comes with weather seal gasket and screws.

CERTIFICATION:



DIMENSIONS



ORDER INFO

STOCK CODE / DESCRIPTION

008663 GFI-V - GREY VERTICAL COVER & LID - 1 GANG