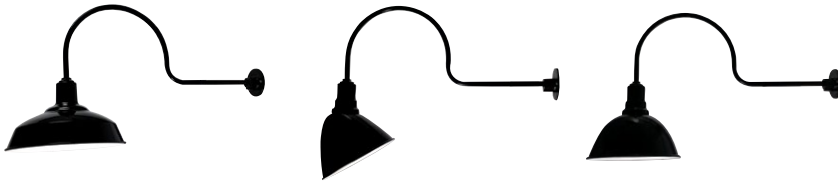


The VCS and LG Series of fixtures are elegantly designed, energy efficient fixtures that provide bright, even illumination for signs.



### APPLICATIONS

**Ideal for sign and accent lighting in retail and commercial applications.**

<b>Project</b>	
<b>Type</b>	
<b>Date</b>	
<b>Notes</b>	

### SPECIFICATIONS

#### Construction

Fixtures are made from spun aluminum and have a durable, powder coat paint finish. Arms are made of aluminum 1/2" NPT pipe. Various combinations of fixtures and arms can be combined in custom colours.

#### Mounting

Fixture can be surface mounted on to the wall or onto junction boxes.

#### LED Configuration

The fixture delivers over 1100 lumens at an efficacy of over 79 lumens/watt. This serves as an ideal replacement for a 50W MH fixture. The LEDs have a colour temperature of 5000K as standard.

#### Electrical

Total system wattage of the fixture is 14 Watts. The standard unit has a high efficiency driver that operates at 120 - 277V as standard.

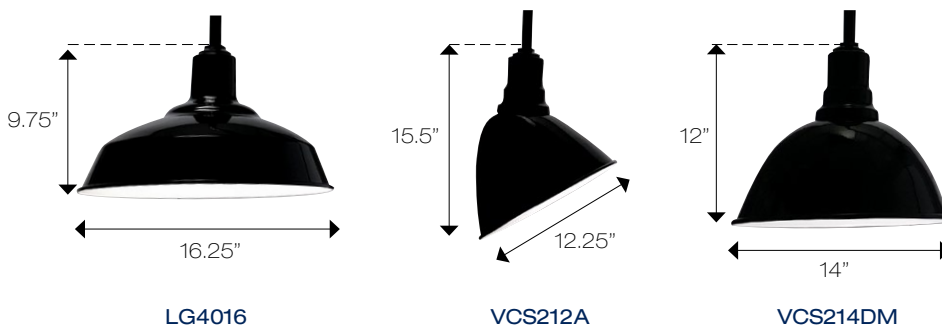
#### Arms

Available ARMS include:

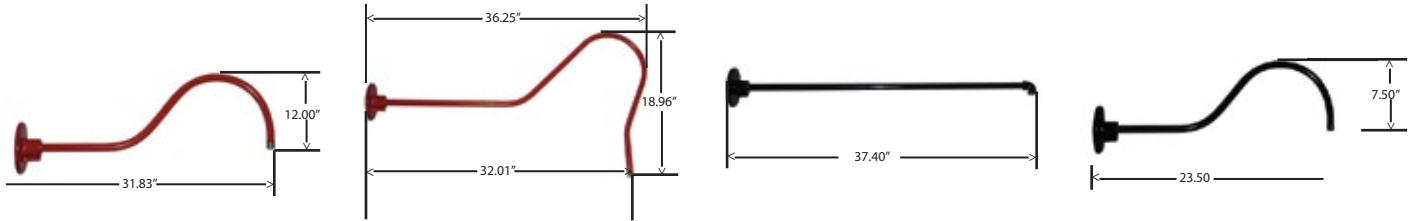
- ARM1
- ARM2
- ARM3
- ARM5

<b>Equivalent to</b>	<b>50W MH</b>
<b>Fixture Watts</b>	<b>14W</b>
<b>Lumens</b>	<b>&gt;1100</b>
<b>Efficiency</b>	<b>79 lumens/watt</b>
<b>LED Life</b>	<b>100,000 hours</b>
<b>Certification</b>	<b>Approved to CSA standards</b>
<b>Colour Temperature</b>	<b>5000K (standard)</b>
<b>Warranty</b>	<b>5 Years</b>
<b>Operating temperature</b>	<b>-40°C to +40°C</b>

### DIMENSIONS



ACCESSORIES



**ARM 1**

**ARM 2**

**ARM 3**

**ARM 5**

ORDERING GUIDE



**VCS212A**  
**VCS214DM**  
**LG4016**

**ARMS**  
**ARM1**  
**ARM2**  
**ARM3**  
**ARM5**

**VOLTAGE**  
**B - 120-277V\***

**COLOUR TEMP**  
**5K - 5000K\***

**FINISH**  
**CC - CUSTOM COLOUR\***

\* Standard configuration