

The AL-LED fixtures are high efficiency area lights with multiple beam patterns to suit a variety of applications. Intelligently designed, this series of fixtures provides superior lighting performance and significant energy savings over traditional fixtures



APPLICATIONS

Ideal for parking lots, roadways and perimeter lighting applications.

Project	
Type	
Date	
Notes	

SPECIFICATIONS

Construction

Precision die cast aluminum housing with clear polycarbonate lens. The fixture offers superior heat sinking with air-flow fins on the top. The driver enclosure is separate from the optics for improved thermal management.

Optics

Unit has high efficiency injection molded optics that have an efficacy (lumens/watt) of approx 100. The LEDs have a color temperature of 5000K as standard. 3000K/4000K available as option. The CRI is greater than 70 and the operating temperature range is -40°C to +40°C. LED life of 100,000 hours.

Beam Distribution

Available in T2, T3, T4 and T5 beam patterns for a wide range of applications.

Mounting

The AL series can be arm mounted for round or square poles (arms ordered separately). They can also be ordered with a slip fitter or yoke installed. Also available is a wall bracket that is ordered as an option and shipped separately.

Electrical

The standard unit has a high efficiency driver that operates at 120 - 277V. 347V also available.

Finish

Standard finish is Bronze. Please consult factory for custom colour.

Options

Photocell

AL1-LED Series

Input Watts	62W
Lumens	min. 7,475
Efficacy	min. 115 lumens/watt

Input Watts	100W
Lumens	min. 12,000
Efficacy	min. 120 lumens/watt

Input Watts	120W
Lumens	min. 14,040
Efficacy	min. 120 lumens/watt

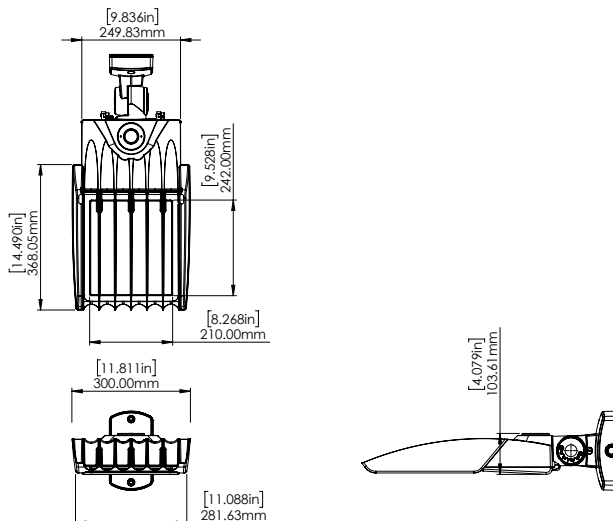
Operating Temperature	-40°C to +40°C
------------------------------	-----------------------

Certification	cULus
----------------------	--------------

Warranty	5 Years
-----------------	----------------

Colour Temperature	5000K (standard) 3000K, 4000K (options)
---------------------------	--

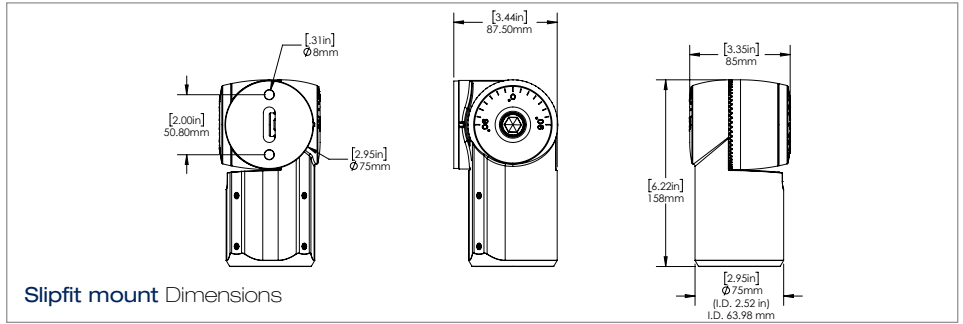
DIMENSIONS



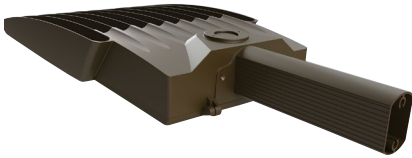
MOUNTING OPTIONS



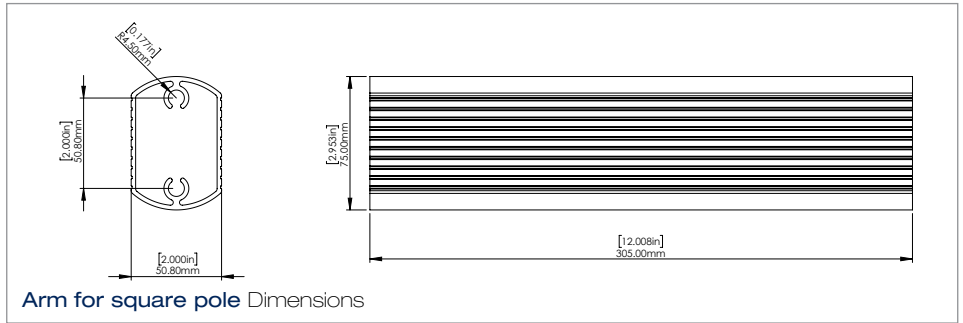
Slipfit Mount
Optional - order separately



Slipfit mount Dimensions



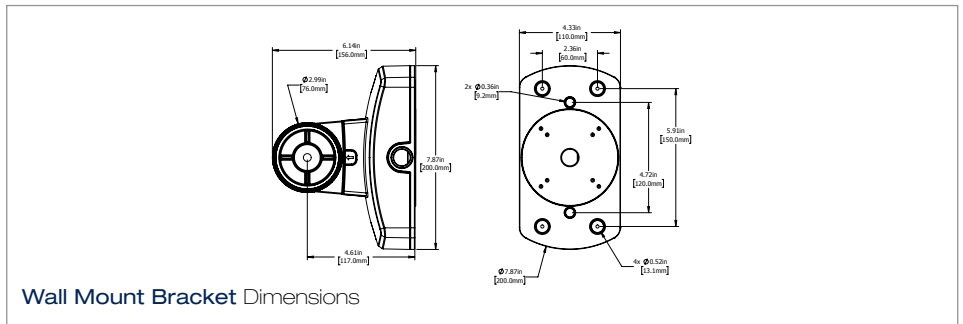
Arm for square pole
Optional - order separately



Arm for square pole Dimensions



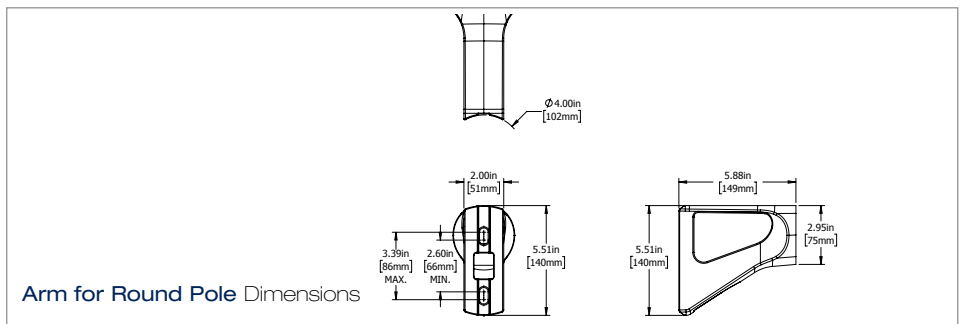
Wall Mount Bracket
Optional - order separately



Wall Mount Bracket Dimensions



Arm for round pole
Optional - order separately



Arm for Round Pole Dimensions

ORDERING GUIDE

AL1	-	-	-	-	-	-	-	-	-
	WATTS	VOLTAGE	COLOUR TEMP	BEAM	FINISH	DRIVER	OPTIONS	MOUNTING**	
	LED60*	B - 120 -	5K - 5000K*	T2 - TYPE 2	BRZ - BRONZE*	DIM -	PC - Photocell	SF - Slipfit	
	LED90*	277V*	4K - 4000K	T3 - TYPE 3	CC - CUSTOM	DIMMABLE		WM - Wall Mount	
	LED120*	A - 120V	3K - 3000K	T4 - TYPE 4		DRIVER*		S6 - 6" Arm for Square Pole	
		C - 347V		T5 - TYPE 5				S12 - 12" Arm for Square Pole	
								R6- 6" Arm for Round Pole	
								R12 - 12" Arm for Round Pole	

* Standard configuration

** All mounting configurations sold separately