

The AL-LED fixtures are high efficiency area lights with multiple beam patterns to suit a variety of applications. Intelligently designed, this series of fixtures provides superior lighting performance and significant energy savings over traditional fixtures



APPLICATIONS

Ideal for parking lots, roadways and perimeter lighting applications.

Project	
Type	
Date	
Notes	

SPECIFICATIONS

Construction

Precision die cast aluminum housing with clear polycarbonate lens. The fixture offers superior heat sinking with air-flow fins on the top. The driver enclosure is separate from the optics for improved thermal management.

Optics

Unit has high efficiency injection molded optics that have an efficacy (lumens/watt) of approx 100. The LEDs have a color temperature of 5000K as standard. 3000K/4000K available as option. The CRI is greater than 70 and the operating temperature range is -40°C - to +40°C. LED life of 100,000 hours.

Beam Distribution

Available in T2, T3, T4 and T5 beam patterns for a wide range of applications.

Mounting

The AL series can be arm mounted for round or square poles (arms ordered separately). They can also be ordered with a slip fitter or yoke installed. Also available is a wall bracket that is ordered as an option and shipped separately.

Electrical

The standard unit has a high efficiency driver that operates at 120 - 277V. 347V also available.

Finish

Standard finish is Bronze. Please consult factory for custom colour.

Options

Photocell

AL2-LED Series

Input Watts	149W
Lumens	min. 17,880
Efficacy	min. 120 lumens/watt

Input Watts	192W
Lumens	min. 23,040
Efficacy	min. 120 lumens/watt

Input Watts	245W
Lumens	min. 29,400
Efficacy	min. 120 lumens/watt

Operating Temperature	-40°C to +40°C
------------------------------	-----------------------

Power Factor	> 0.9
---------------------	-----------------

Total Harmonic Distortion	≤ 22%
----------------------------------	--------------

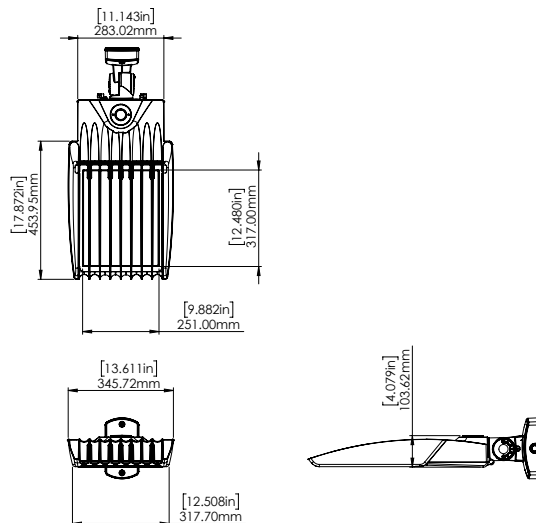
EPA	2
------------	----------

Certification	cULus, DLC
----------------------	-------------------

Warranty	5 Years
-----------------	----------------

Colour Temperature	5000K (standard) 3000K, 4000K (options)
---------------------------	--

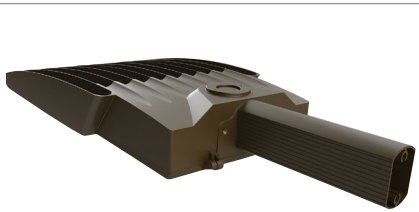
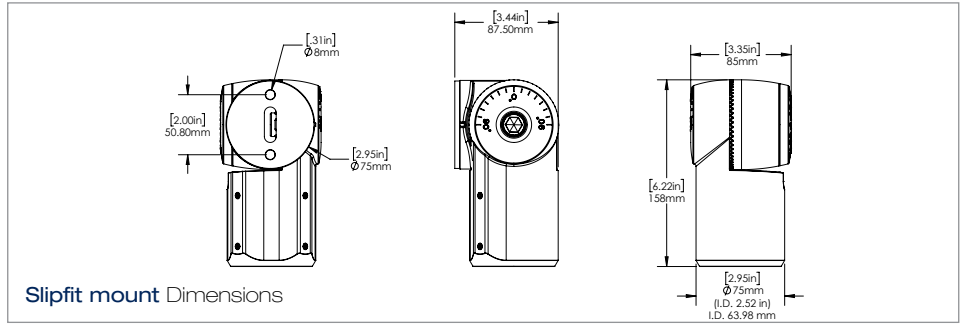
DIMENSIONS



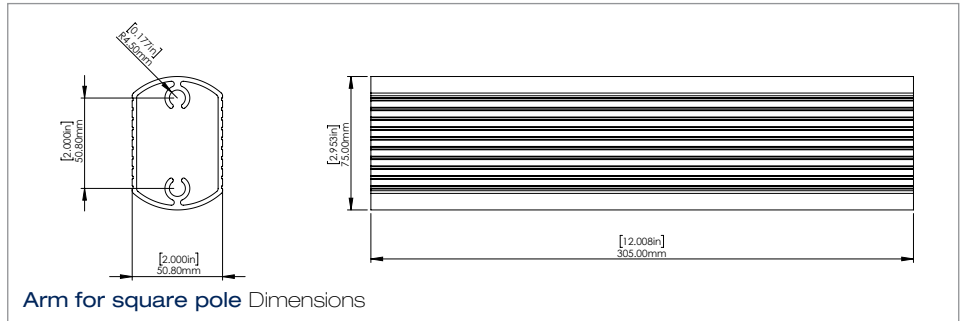
MOUNTING OPTIONS



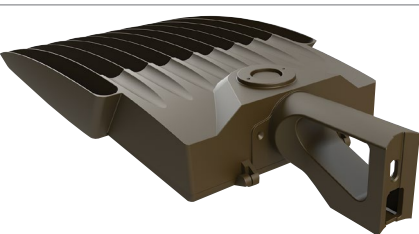
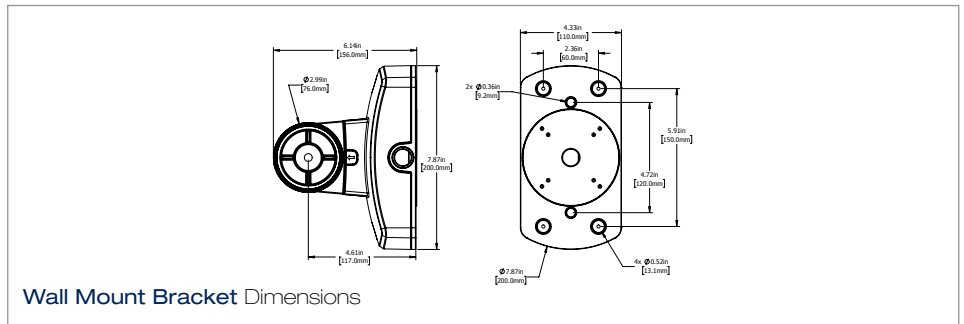
Slipfit Mount
Optional - order separately



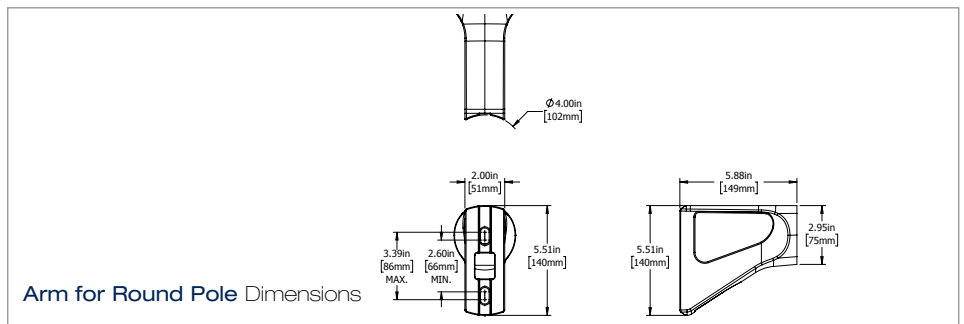
Arm for square pole
Optional - order separately



Wall Mount Bracket
Optional - order separately



Arm for round pole
Optional - order separately



ORDERING GUIDE

AL2	-	-	-	-	-	-	-	-
WATTS	VOLTAGE	COLOUR TEMP	BEAM	FINISH	DRIVER	OPTIONS	MOUNTING**	
LED150	B - 120 - 277V*	5K - 5000K*	T2 - TYPE 2	BRZ - BRONZE*	DIM - DIMMABLE DRIVER*	PC - Photocell	SF - Slipfit	
LED200		4K - 4000K	T3 - TYPE 3	CC - CUSTOM			WM - Wall Mount	
LED250	A - 120V C - 347V	3K - 3000K	T4 - TYPE 4 T5 - TYPE 5				S6 - 6" Arm for Square Pole	
							S12 - 12" Arm for Square Pole	
							R6 - 6" Arm for Round Pole	
							R12 - 12" Arm for Round Pole	

* Standard configuration

** All mounting configurations sold separately