

This durable flat panel LED ceiling light is designed for a drop ceiling. The CPL features dimmable driver options and comes in a variety of sizes and colour temperatures.



APPLICATIONS

Ideal for offices, schools, public buildings, commercial spaces and hospitals.

Project	
Type	
Date	
Notes	

SPECIFICATIONS

Construction

Housing is made from extruded aluminum. Fixture has an operating temperature range of -25°C to +55°C and is rated for damp location.

Electrical

Total system wattage of the unit is 40W. The standard unit has a high efficiency driver that operates at 120 - 277V. 347V also available as an option.

LED Configuration

The 40W unit delivers 4,465 lumens. The LEDs have a colour temperature of 4000K as standard with 3,500K and 5,000K colour temperatures available as options.

Optics

Edge lit with no glare.

Dimming

0-10V Dimming is standard

Mounting

The fixture can be drop ceiling or pendant mounted.

Options

- 347V
- hi/lo occupancy sensor
- CCT tuning version available

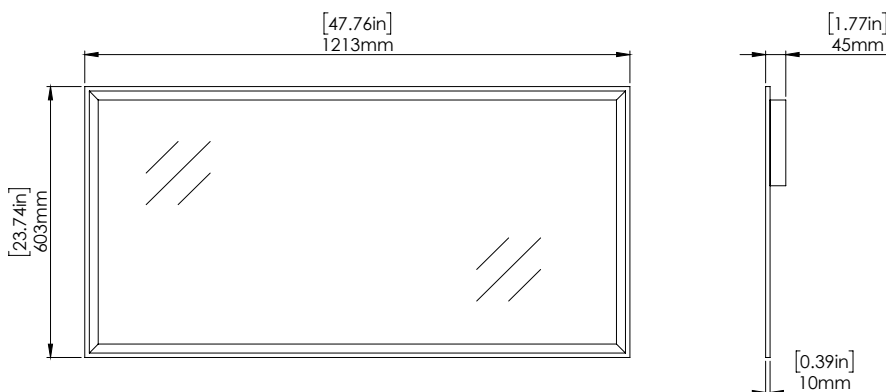
Finish

Aluminum frame with white powder coat paint finish.

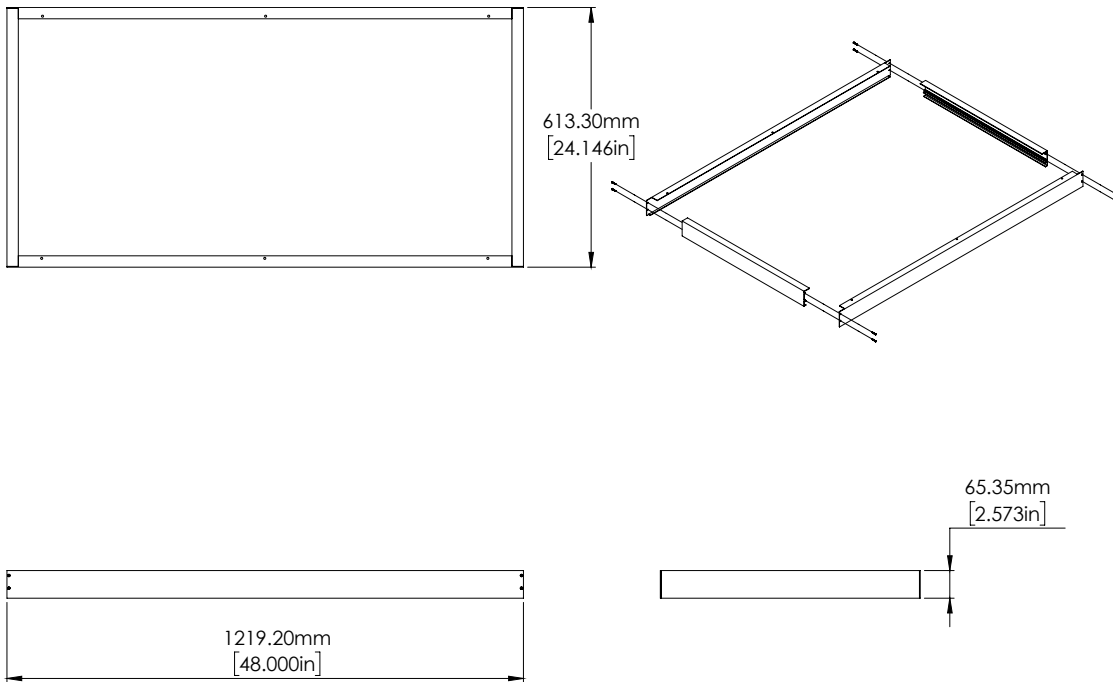
Fixture Watts	40W
Lumens	4,465
Efficacy	111 lumens/watt

Certification	cULus, DLC, rated for damp location
LED Life	100,000 hours
Colour Temperature	4000K (standard) 5000K (option) 3500K (option)
Warranty	5 Years
Operating temperature	-25°C to +55°C
Power Factor	0.92
CRI	>80
Total Harmonic Distortion	18.5%

DIMENSIONAL DATA



SURFACE MOUNT KIT DIMENSIONS
(ORDER SEPARATELY)



ORDERING GUIDE

CPL24	-	LED38	-		-		-	
				VOLTAGE	COLOUR TEMP	FINISH		OPTIONS
				B - 120 - 277V* C - 347V	5K - 5000K 4K - 4000K* 3.5K - 3500K VK - Variable colour	WHT - WHITE*		DIM - 0-10V DIMMING* SHFS - Standard On/ Off high frequency motion sensor

* Standard configuration