

The DWL1-LED18 is a sleek LED wall light with a slim profile and a rounded frosted lens that provides optimal light distribution.



APPLICATIONS

Ideal for lighting entrances, narrow aisles, walkways, and facades in a variety of residential, commercial and industrial applications.

Project	
Type	
Date	
Notes	

SPECIFICATIONS

Construction

The DWL1-LED18 is made from durable polycarbonate housing. It has a frosted lens and a reflector to limit light losses. The unit has an elegant looking curved contour with a slim profile of 3.1" from the wall. Unit has a cast aluminum back plate for optimal heat sinking.

Mounting

The DWL1-LED18 has two conduit entries, one on the bottom and one at the back and mounts directly onto the wall.

Finish

Bronze.

LED Configuration

Each fixture contains one high efficiency Chip on Board (COB) that delivers a total lumen output of 2,135 lumens at an efficacy of 107 lumens/watt. This serves as an ideal replacement for a 70W HPS fixture.

Electrical

Total system wattage of the unit is 20W. The standard unit has a high efficiency driver that operates at 120 V.

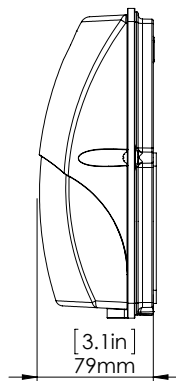
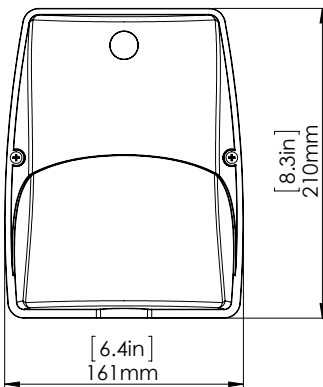
Photocell

Included.

Fixture Watts	20W
Lumens	2,135
Efficacy	107 lumens/watt

Rated Life	100,000 hours
Certification	cULus, DLC
Colour Temperature	5000K (standard)
Warranty	5 Years
Ideal Mounting Height	8' - 12'
Operating temperature	-40°C to +40°C

DIMENSIONS



ORDERING GUIDE

DWL1	-	LED18	-	A	-	5K	-	BRZ	-	PC
				VOLTAGE		COLOUR TEMP		FINISH		PHOTOCELL
				A - 120 *		5K - 5000K*		BRZ- BRONZE*		PC - PHOTOCELL*

* Standard configuration