

The FL1-LED15 is an energy efficient LED flood light that replaces a 150W Quartz fixture.



APPLICATIONS

Ideal for lighting patios, yards, landscapes and building facades.

Project	
Type	
Date	
Notes	

SPECIFICATIONS

Construction

Die cast aluminum housing with polycarbonate lens. Lens is firmly attached to fixture with 4 screws. The fixture has air flow fins at the back for heat dissipation. The FL1-LED15 is suitable for outdoor locations and is rated IP65.

LED configuration

18 LED chips with built in wide beam optics. LEDs have a standard colour temperature of 4000K, 5,000K is available as an option. The operating temperature range is -40°C to +40°C.

Electrical

Total system wattage of the unit is 16W. The standard unit has a high efficiency driver that operates at 120 - 277V. The yoke mount option includes a 2ft (610mm) SJTW cord coupled with a waterproof stainless steel strain relief.

Mounting

Fixture has a 1/2" NPT aluminum knuckle that allows for precise aiming. The knuckle is to be mounted on to a cover plate (sold separately). The fixture can be wall or ground mounted. The fixture is also available as a yoke mount.

Finish

Standard finish is Bronze.

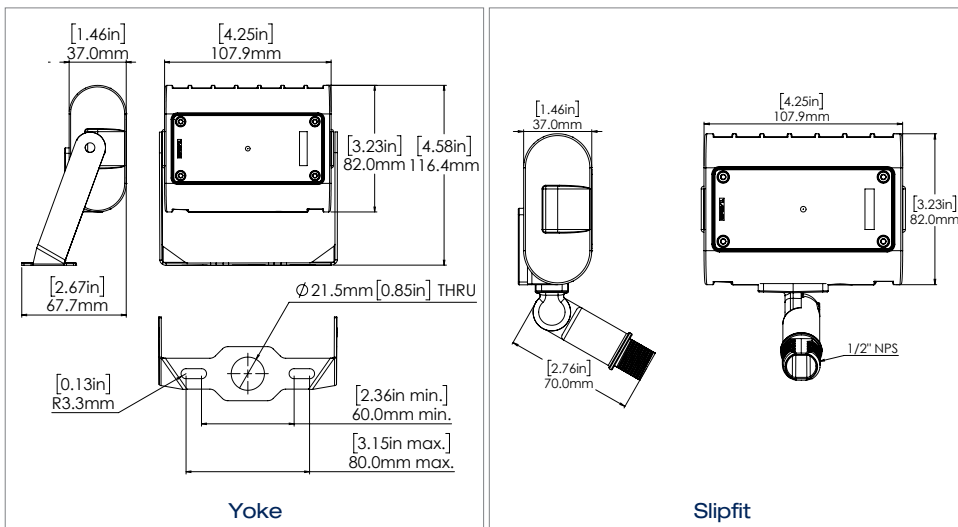
Accessories

DC100 - bronze cover plate (sold separately)

Watts	16W
Equivalent to	150W Quartz
Lumens	1,468
Efficacy	96 lumens per watt

Operating Temperature	-40°C to +40°C
Certification	cULus, IP65, DLC
LED Life	100,000 hours
Colour Temperature	4,000K standard 5,000K option
Warranty	5 years
Power Factor	0.9
Total Harmonic Distortion	20%
CRI	>80

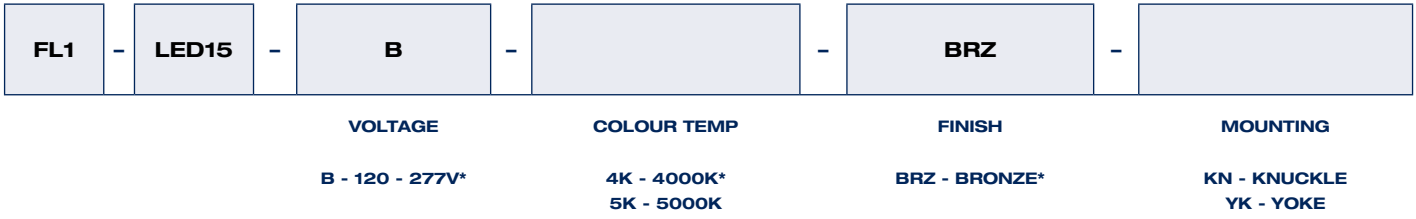
DIMENSIONS



Shown as Yoke Mount



ORDERING GUIDE



* Standard configuration