



HELIX2-LED240

LED Area Light

SPECIFICATIONS

Watts	239
Lumens	35316
Efficacy	148 lm/W
Replaces Up To	750W MH
Colour Temp	3K, 4K, 5K
Operating Temp	-40°C to +50°C
Voltage	120-277V, 347V
LED Life	100,000 Hrs (L90)
Certification	cULus, Suitable for wet locations
Housing Material	Die Cast Aluminum
Lens	Polycarbonate
Power Factor	>0.9
Mounting	Slip fitter, Direct mount for round or square poles, Trunnion mount, Yoke mount
Accessories	Motion sensor, Photocell, House side shield
Beam Distribution	T3 (standard), T4, T5



House side shield

MOUNTING:



Slip fitter



Yoke



Trunnion



Direct mount for round or square poles



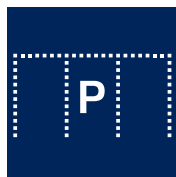
DESCRIPTION

The Helix-LED Series is a sleek, modern looking area light with high performance optics ideal for use in parking lots, commercial plazas, schools and general area lighting applications.

APPLICATIONS



Schools



Parking Lots



Commercial Plazas














Car Dealerships

FEATURES



- Rugged die cast aluminum housing with a polycarbonate lens.
- Tool less entry to access driver/wiring compartment. 3 ft cable tie included for external wiring.
- Universal mounting with options for slipfitter, yoke, trunnion, direct mount for round/square poles. Purchase mounting option separately.
- Fixture can be tilted with any mounting system to direct light where needed.
- Rotating optics in 90° segments to redirect light in any direction. (factory adjusted)
- House side cut-off shield, motion sensor and photocell are optional (factory installed).

COLOUR OPTIONS


Standard Colours

 bronze 195632 / G5512M17	 matte black 103848 / 39/B0020	 black sandtex (textured) 194288 / P-2128-LT	 mirror black (shiny) 103849 / PS1119	 white 103847 / P-1771-9	 dove grey 000047 / SCP-409	 blue 103865 / SCP-910
 red 103866 / P-6015-8	 yellow 195585 / RAL1018 (TIGER)	 green 103864 / SCP-651	 garden green 194070 / TD01032-F-FILE#116P6			

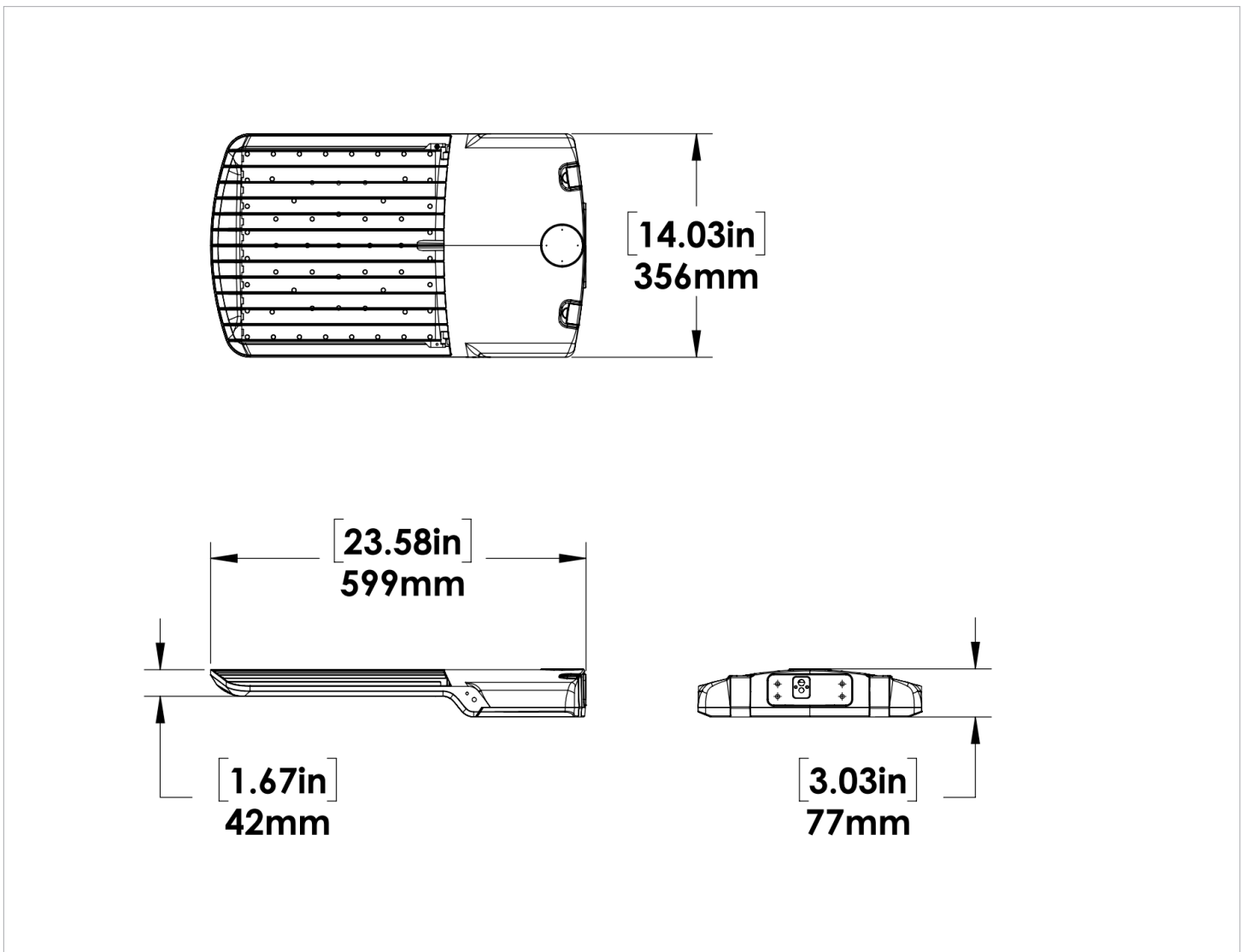
Metallic Colours

 hammertone 194290 / TGIC DCL#5980-0799-MMI	 sparkle silver 194260 / PM211911
---	--

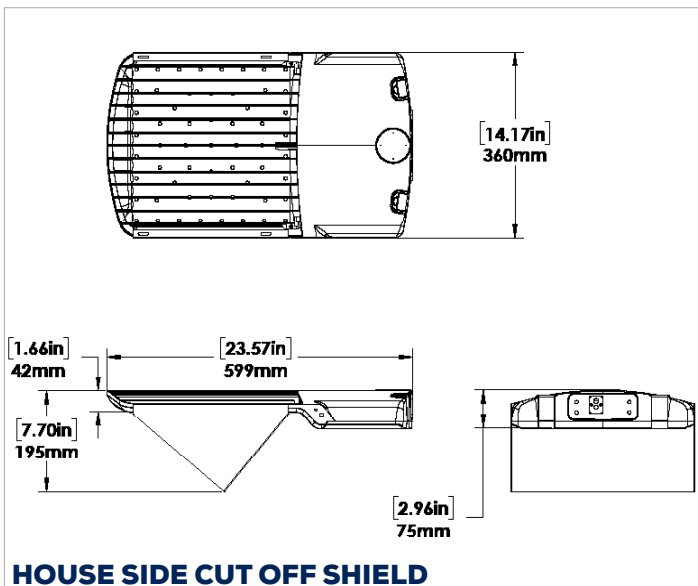
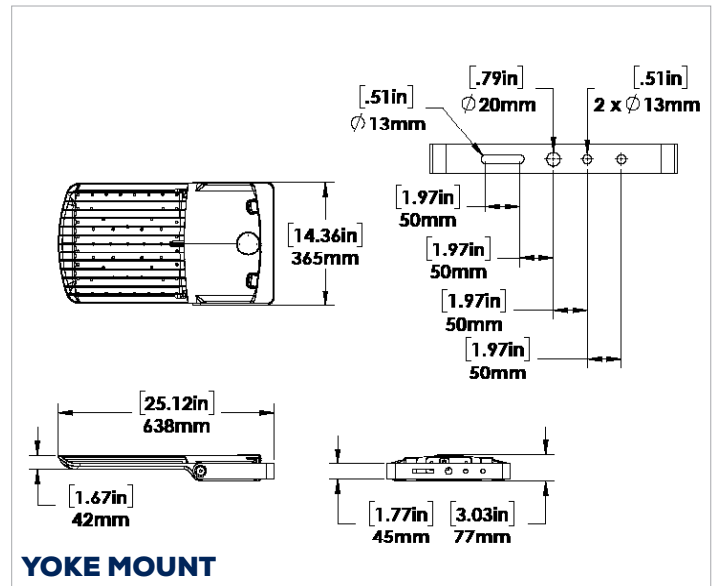
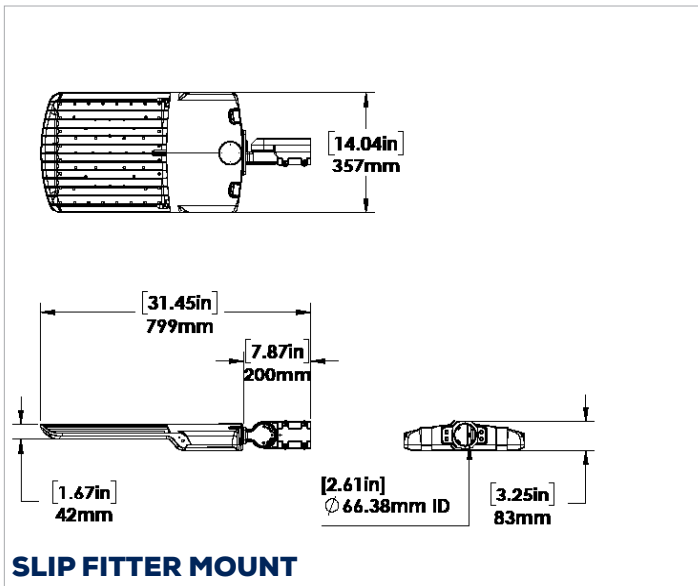
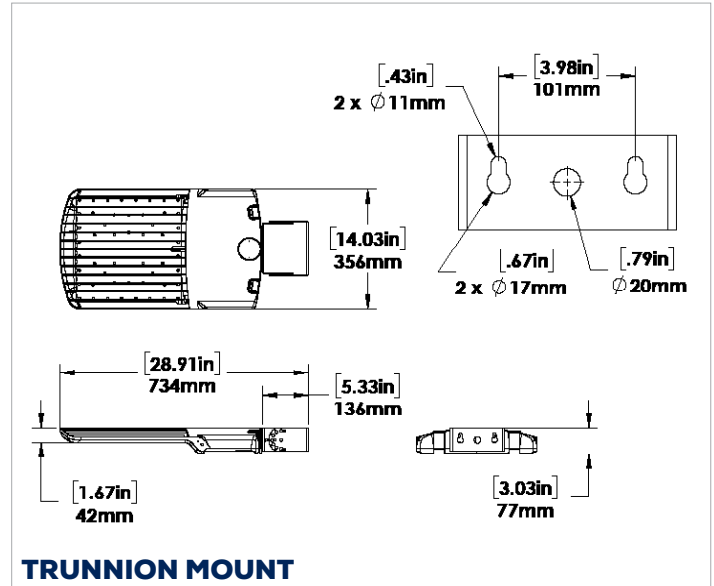
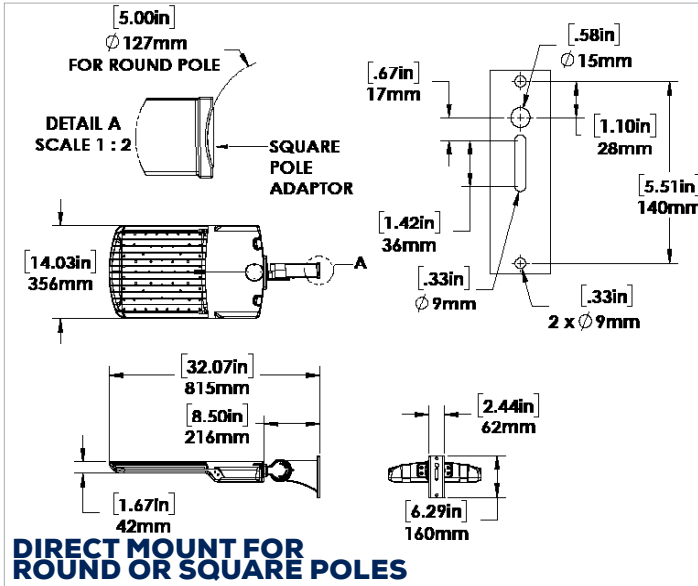
Custom Colours



FIXTURE DIMENSIONS



ACCESSORY DIMENSIONS



OTHER MODEL SPECIFICATIONS

MODEL DESCRIPTION	Voltage (V)	Wattage (W)	Light Output (lm)	Efficacy (lm/W)	Classification	THD (%)	PF	CCT (K)	CRI
HELIX2-LED240-B-3K-T3-XXX-DIM-[Blank, DMS, PC]	120-277	239	34923	146.4	Premium	15.0	0.900	3000	70.0
HELIX2-LED240-B-4K-T3-XXX-DIM-[Blank, DMS, PC]	120-277	239	35316	147.6	Premium	15.0	0.900	4000	70.0
HELIX2-LED240-B-5K-T3-XXX-DIM-[Blank, DMS, PC]	120-277	239	35709	149.3	Premium	15.0	0.900	5000	70.0
HELIX2-LED240-C-3K-T3-XXX-DIM-[Blank, DMS, PC]	347	230	34023	147.8	Premium	15.0	0.900	3000	70.0
HELIX2-LED240-C-4K-T3-XXX-DIM-[Blank, DMS, PC]	347	231	34437	149.4	Premium	15.0	0.900	4000	70.0
HELIX2-LED240-C-5K-T3-XXX-DIM-[Blank, DMS, PC]	347	231	34852	151.2	Premium	15.0	0.900	5000	70.0
HELIX2-LED240-B-3K-T4-XXX-DIM-[Blank, DMS, PC]	120-277	239	34976	146.6	Premium	15.0	0.900	3000	70.0
HELIX2-LED240-B-4K-T4-XXX-DIM-[Blank, DMS, PC]	120-277	239	35438	148.2	Premium	15.0	0.900	4000	70.0
HELIX2-LED240-B-5K-T4-XXX-DIM-[Blank, DMS, PC]	120-277	239	35901	150.1	Premium	15.0	0.900	5000	70.0
HELIX2-LED240-C-3K-T4-XXX-DIM-[Blank, DMS, PC]	347	239	35368	148.0	Premium	15.0	0.900	3000	70.0
HELIX2-LED240-C-4K-T4-XXX-DIM-[Blank, DMS, PC]	347	239	35801	149.7	Premium	15.0	0.900	4000	70.0
HELIX2-LED240-C-5K-T4-XXX-DIM-[Blank, DMS, PC]	347	239	36233	151.5	Premium	15.0	0.900	5000	70.0
HELIX2-LED240-B-3K-T5-XXX-DIM-[Blank, DMS, PC]	120-277	239	35069	147.0	Premium	15.0	0.900	3000	70.0
HELIX2-LED240-B-4K-T5-XXX-DIM-[Blank, DMS, PC]	120-277	239	35537	148.7	Premium	15.0	0.900	4000	70.0
HELIX2-LED240-B-5K-T5-XXX-DIM-[Blank, DMS, PC]	120-277	239	36005	150.6	Premium	15.0	0.900	5000	70.0
HELIX2-LED240-C-3K-T5-XXX-DIM-[Blank, DMS, PC]	347	239	35445	148.4	Premium	15.0	0.900	3000	70.0
HELIX2-LED240-C-4K-T5-XXX-DIM-[Blank, DMS, PC]	347	239	35933	150.1	Premium	15.0	0.900	4000	70.0
HELIX2-LED240-C-5K-T5-XXX-DIM-[Blank, DMS, PC]	347	239	36421	152.2	Premium	15.0	0.900	5000	70.0

LEGEND

- B - 120V-277V, C-347V
- 3K -3000K, 4K - 4000K, 5K - 5000K
- T3 - TYPE 3 BEAM , T4 - TYPE 4 BEAM ,T5 - TYPE 5 BEAM
- XXX - HOUSING FINISH
- DIM - 0-10V DIMMING

AMPERAGE DRAW & SURGE PROTECTION

	CURRENT (A)					SURGE PROTECTION (kV)	
	120V	208V	240V	277V	347V	120-277V	347V
HELIX2-LED240	2.1A	1.22A	1.05A	0.91A	0.73A	10kV	10kV

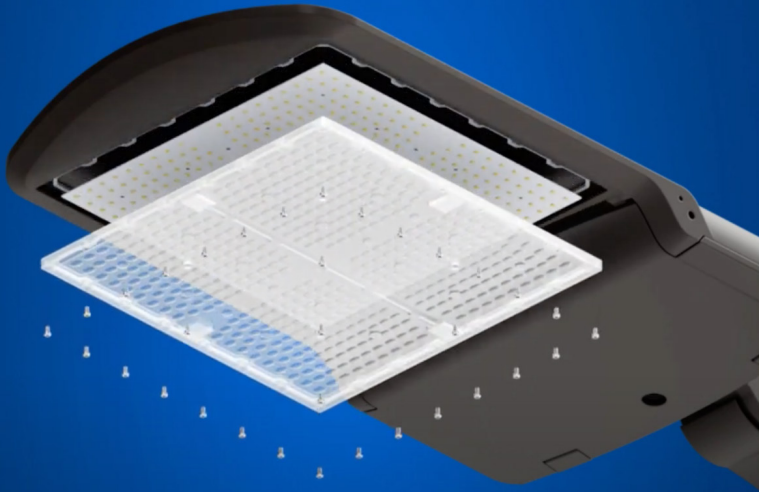
LUMEN MAINTENANCE

Hours	50,000	75,000	100,000
HELIX2-LED240	95%	92%	90%

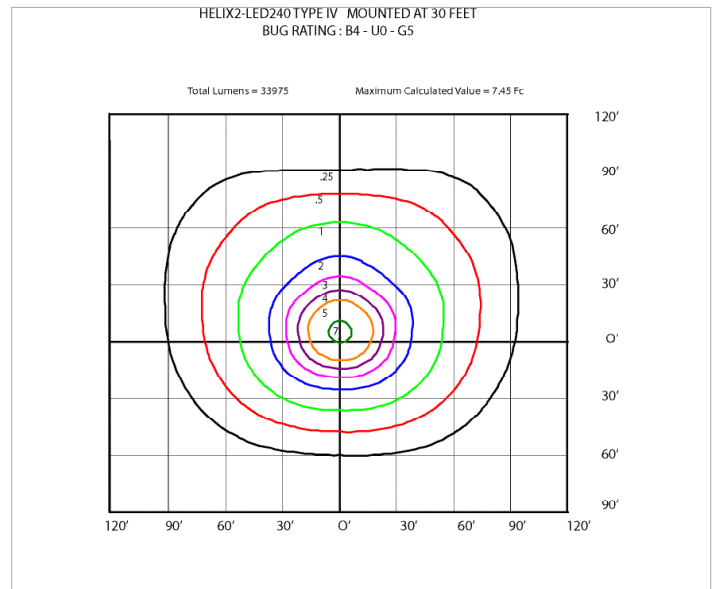
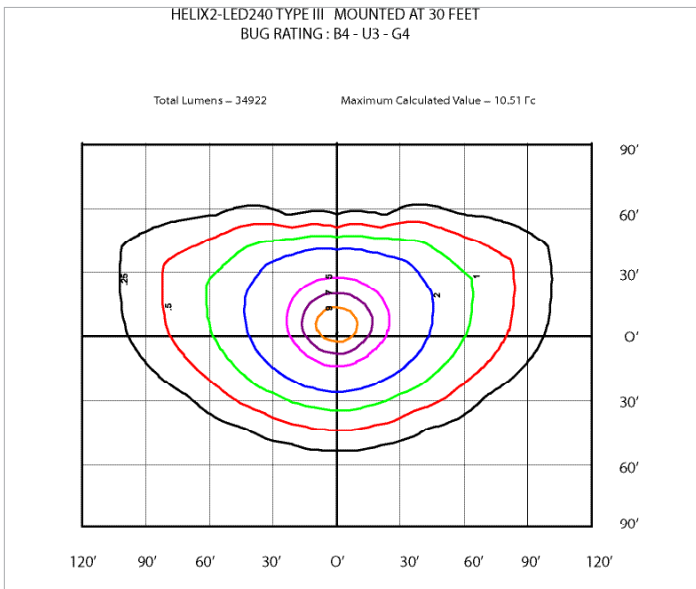
WEIGHT & EPA

	Weight (lbs)	0° Tilt	45° Tilt	90° Tilt
HELIX2	18	0.65	2.46	3.14

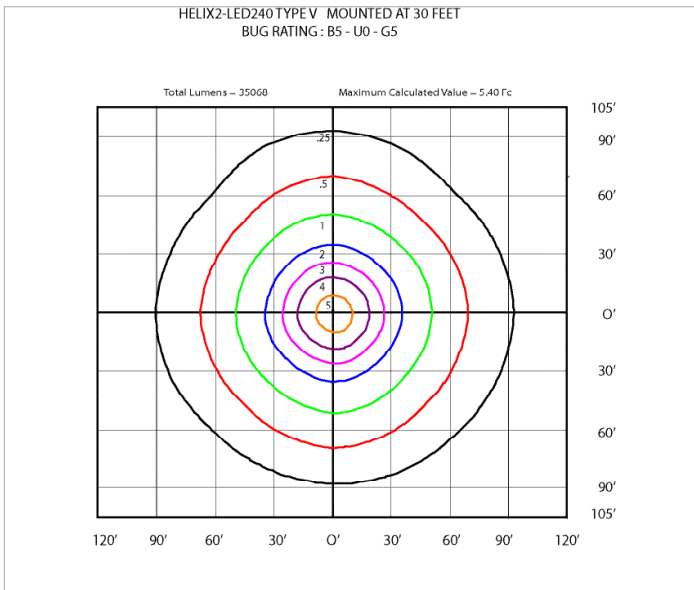
Rotatable Optics
Factory Installed



CANDELA PLOTS



CANDELA PLOTS



ORDERING GUIDE

HELIX2	LED240						DIM	
WATTS	VOLTAGE	COLOUR TEMP.	BEAM	OPTION	FINISH	DIMMING	CONTROLS	
	B - 120 - 277V*	3K - 3000K	T3 - TYPE 3*	HCO - HOUSE SIDE CUTOFF	BRZ - BRONZE*	DIM - 0-10V DIMMING*	PC - STANDARD TWIST LOCK PHOTOCELL	
	C - 347V	4K - 4000K*	T4 - TYPE 4		CC - CUSTOM COLOUR		DMS - DIMMING PIR MOTION SENSOR	
		5K - 5000K*	T5 - TYPE 5				7PIN - 7 PIN RECEPTACLE FOR SMART CONTROL SYSTEMS	
			T3R TYPE III DISTRIBUTION ROTATED RIGHT					
			T3L TYPE III DISTRIBUTION ROTATED LEFT					
			T4R TYPE IV DISTRIBUTION ROTATED RIGHT					
			T4L TYPE IV DISTRIBUTION ROTATED LEFT					

ACCESSORIES

- 020009 HELIX1/2 SLIP FITTER BRZ
- 020010 HELIX1/2 DIRECT MOUNT F/ROUND AND SQUARE POLE BRZ
- 020011 HELIX1/2 DIRECT TRUNNION MOUNT BRZ
- 020013 HELIX2 YOKE MOUNT BRZ

*Standard Configuration.