

New improved LED vapourproof fixture that is rugged in design, easy to install and has a high lumen output.



APPLICATIONS

Ideal for underground parking garages, industrial plants and agricultural applications.

Project	
Type	
Date	
Notes	

SPECIFICATIONS

Construction

Housing is made of galvanized sheet metal with aluminum end caps. The LFW-LED has a specular aluminum reflector and a tempered glass lens as standard. Tempered glass lens has high lumen transmittance and stands up to high temperature environments.

LED information

The fixture contains a high efficiency LED Strip that delivers a total lumen output of 7082 lumens at an efficacy of approx 121 lumens/watt. LEDs have a colour temperature of 4000K as standard.

Mounting

Fixture comes with 2 stainless steel mounting brackets that facilitate easy and quick mounting direct on the wall or ceiling. Wall mount bracket, and pendant mount accessory available (order separately).

Electrical

Total system wattage of the unit is 59W. The standard unit has a high efficiency driver that operates at 120 - 277V. 347V is available as an option. Fixture can be through-wired leading to reduced installation time. Daisy chain up to 16 units in a single run.

Finish

Fixture has a chemical resistant polyester powder coat grey finish

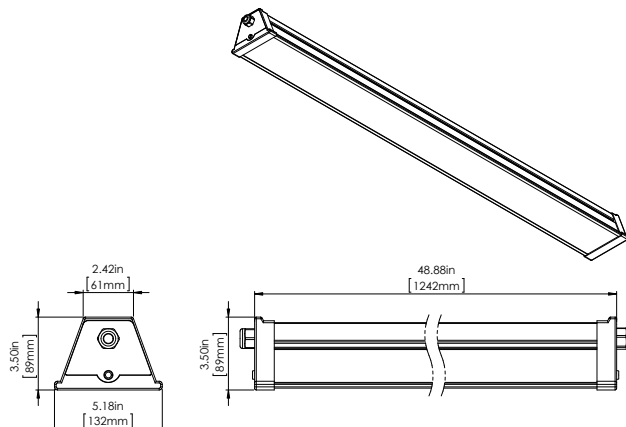
Options

- 0 - 10V dimming
- Junction box assembly (sold separately)

Watts	59W
Equivalent to	>3 lamp T5 fluorescent fixture
Lumens	min. 7,082
Efficacy	121 lumens per watt

Operating Temperature	-40°C to +40°C
Certification	cULus, IP66, DLC
LED Life	100,000 hours
Color Temperature	4000K (standard)
Warranty	5 years
Weight	7 lbs
CRI	>80
Total Harmonic Distortion	18.58%
Power Factor	0.92

DIMENSIONS



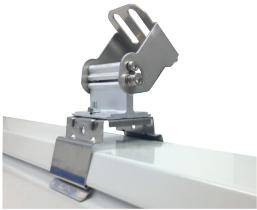
Easy installation & maintenance

Fixture is designed for through-wiring leading to reduced installation time. LED array and driver slide in and out for easy maintenance.

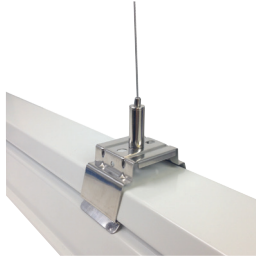


ACCESSORIES

(order separately)



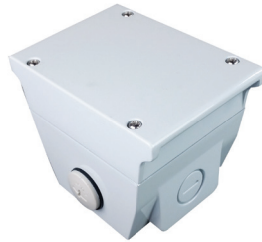
Wall Mount bracket



Pendant Mount accessory



Junction Box
Accessory
with Sensor
(factory installed)



Junction Box
Accessory
(order separately)

JUNCTION BOX ACCESSORY

**Junction Box Accessory
for Easy installation!**

- Facilitates rigid conduit installations
- Allows Installer to wire fixture from the back and the side
- Provides easy access to wires while the fixture is installed
- Knockout designed to accommodate dimmable motion sensor

ORDERING GUIDE

LFW	-		-		-		-		-			
		LED60		VOLTAGE		COLOUR TEMP		LENS		OPTIONS		OPTIONS
				B - 120 - 277V* C 347V		4K - 4000K*		TG - TEMPERED GLASS*		DIM - 0 - 10V dimming		DMS - Dimming PIR Motion Sensor