



SL4-LED30

LED Strip Light



SPECIFICATIONS*

Watts	32
Lumens	4,017
Efficacy	125
Replaces Up To	2 Lamp T8
Colour Temp**	Variable - 3K, 4K, 5K
Certification	cULus, IP20, DLC
Operating Temp	-30°C to +40°C
Voltage	120-277*, 347
LED Life	50,000 hours
Housing Material	Steel
Lens Material	Polycarbonate
Lens Type	Frosted
Accessories	Reflector Wings Kit
Total Harmonic Distortion	9.05
Power Factor	0.993

*Standard

**Colour temperature is variable and can be changed on the fixture with a switch. The default switch setting is set to 4K on the fixture. Light output varies according to the colour temperature selected as seen in the spec table on page 2.



DESCRIPTION

The SL4-LED30 strip light provides a highly efficient lumen output of approx. 4000 lumens. The frosted linear lens provides uniform light distribution ideal for use in shops, coves and general area lighting.

APPLICATIONS



Shops



Cove Lighting



General Area Lighting

FEATURES

- Fixture can be set at a colour temperature of 3000K, 4000K or 5000K while installing through a switch inside the housing
- Narrow, linear design with frosted lens for uniform light distribution
- Join up to 25 fixtures on a single circuit using easy connector steel plates. Please note fixtures need to be wired through the continuous row.

*The above specs apply to the standard product configuration. For spec information on other product configurations please see page 2.

OTHER MODEL SPECIFICATIONS

DESCRIPTION	VOLTAGE (V)	INPUT POWER (W)	LIGHT OUTPUT	EFFICACY (Lm/W)	THD	PF	CCT	CRI
SL4-LED30-B-VK-DIM	120-277	32.2	3600.2	111.7	9.27	0.9936	2908	83
	120-277	32.2	4017	124.7	9.05	0.9931	3854	85
	120-277	32.6	3913	120.2	8.98	0.9936	5046	82.5
SL4-LED30-C-VK-DIM	347	32.9	3729.7	113.3	11.23	0.9429	2906	83
	347	32.9	4153	126.0	8.56	0.9448	3884	84.9
	347	32.7	3930	120.2	8.15	0.9425	5057	82.6

LEGEND

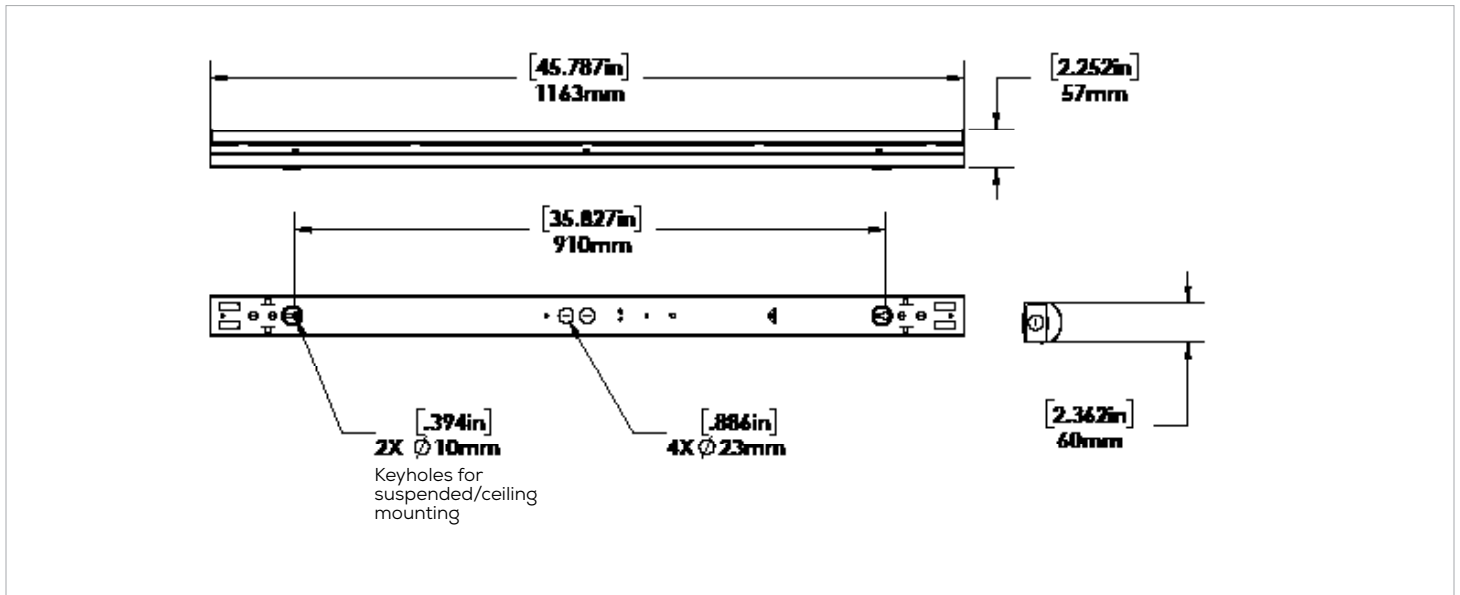
B - 120V-277V, C - 347V

3K - 3000K, 4K - 4000K, 5K - 5000K

Colour temperature is variable and can be changed on the fixture with a switch.
Light output varies according to the colour temperature selected as seen in above table.

DIM - DIMMABLE

DIMENSIONS



COLOUR TUNABLE SWITCH

The diagram shows a vertical LED strip light fixture. A callout box highlights the location of the colour tunable switch. To the right, three diagrams illustrate the switch positions for different colour temperatures:

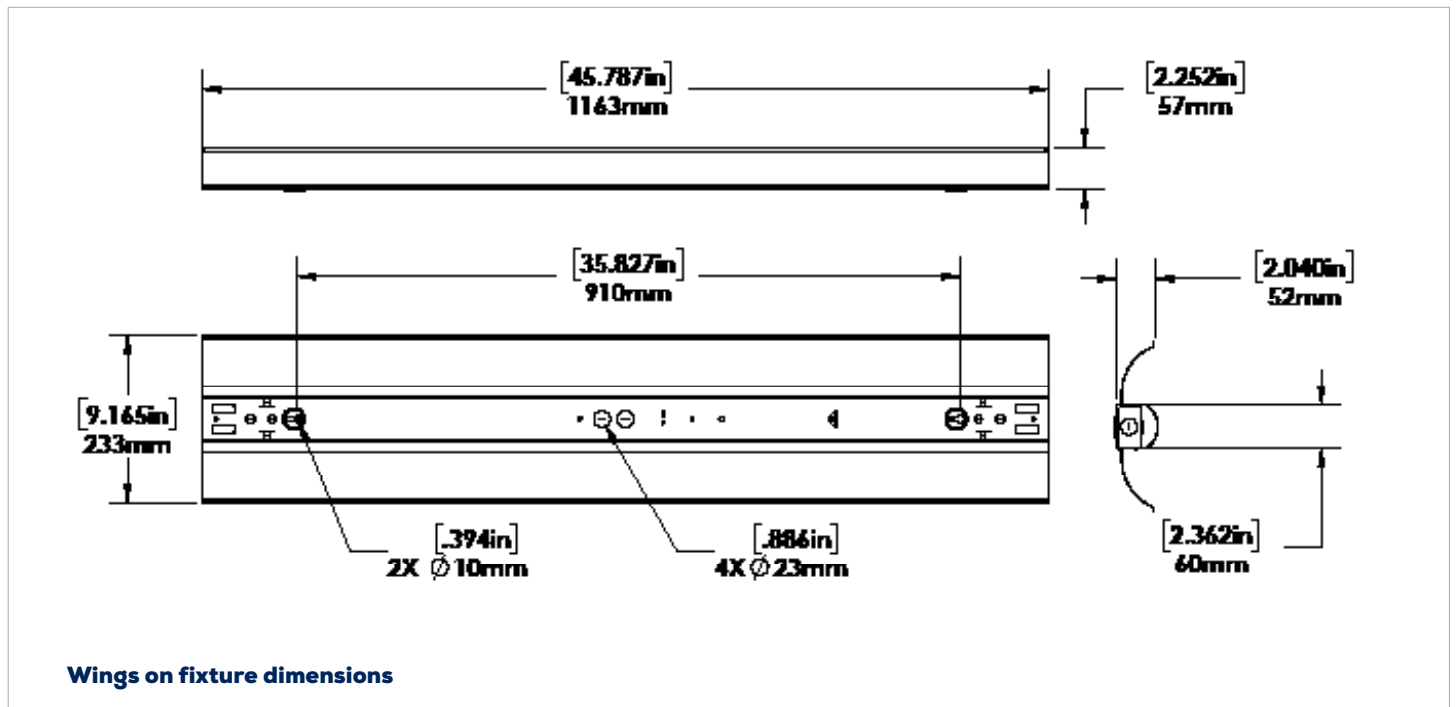
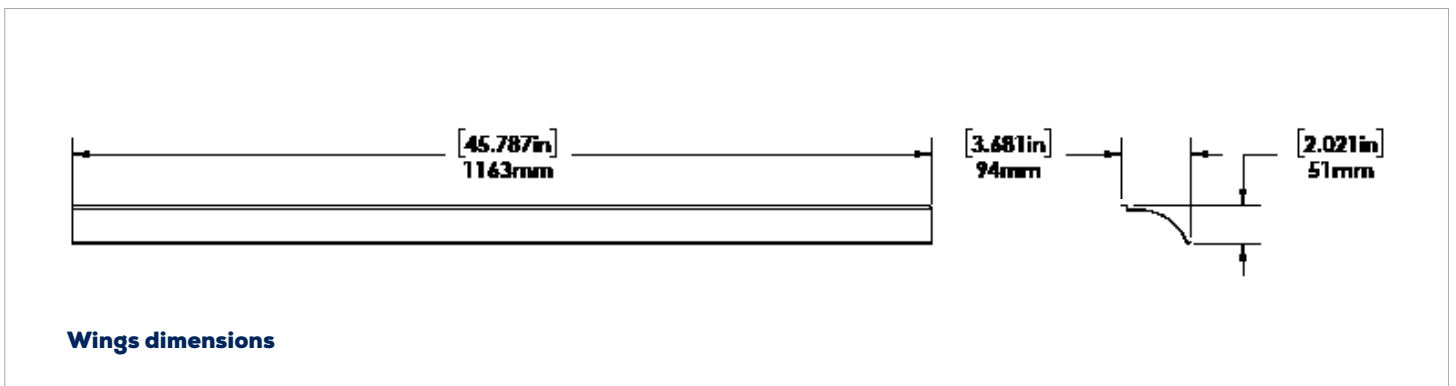
- 1. 5000K**: The switch is in the top position.
- 2. 4000K**: The switch is in the middle position. (Default switch setting)
- 3. 3000K**: The switch is in the bottom position.

The switch is located inside of the fixture.

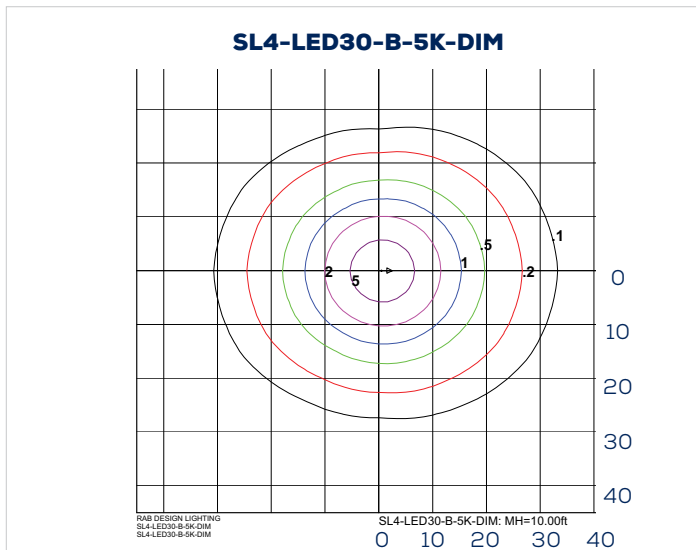
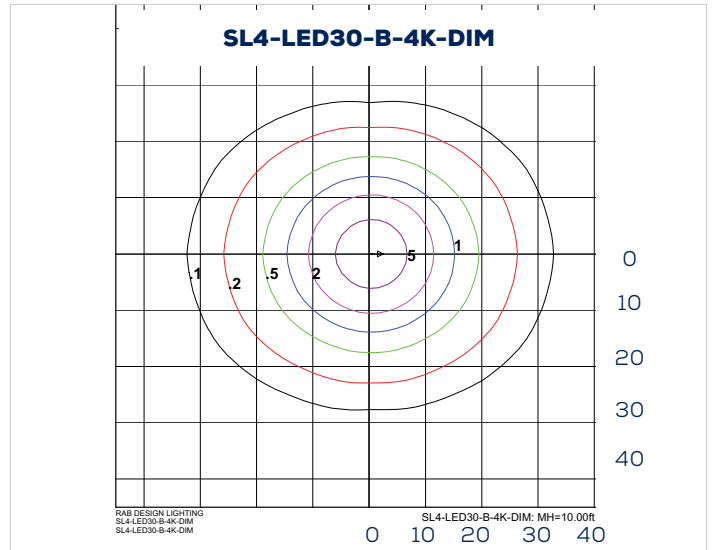
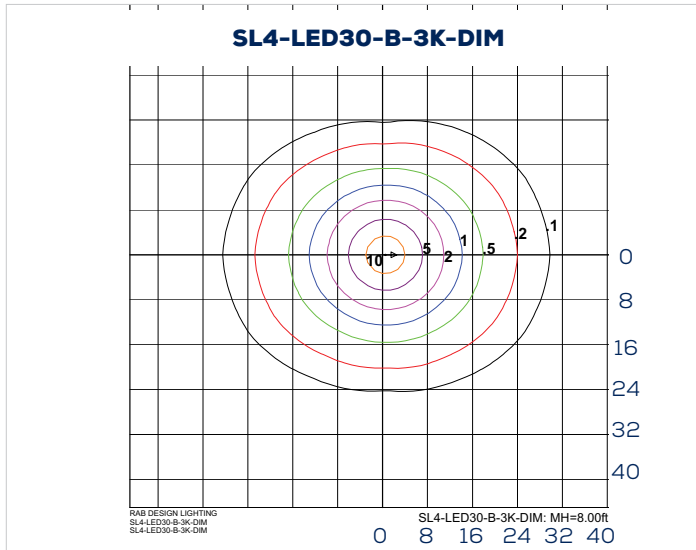
Easily change the colour temperature with the flip of a switch.

1. TOP position = 5000K
2. MIDDLE position = 4000K
3. BOTTOM position = 3000K

ACCESSORIES



CANDELA PLOTS



ORDERING GUIDE

SL4	LED30			
WATTS	VOLTAGE	COLOUR TEMP.	DRIVER	
	B - 120 - 277V*	VK - COLOUR TUNABLE (can be changed to 3K, 4K, or 5K)	DIM - DIMMABLE DRIVER*	
	C - 347V			

FIELD INSTALLED ACCESSORIES

CHECK THE ACCESSORIES YOU WISH TO ORDER:

SL4-LED Reflector Wings Kit - WHT