



SMW4N-LED48

LED Surface Mount Wrap



SPECIFICATIONS*

Watts	48.4
Lumens	5111
Efficacy	106 lm/W
Replaces Up To	2 lamp T8
Colour Temp	4000K
Operating Temp	-25°C to +55°C
Voltage	120-277
LED Life	50,000 hours
Certification	ETL Listed, DLC
Housing Material	Steel
Lens	Polycarbonate
Power Factor	0.927
Total Harmonic Distortion	15.4
CRI	>80
Weight	4.9lbs
Maximum Fixtures Connected in a Row	8



DESCRIPTION

The SMW4N-LED Surface Mount Wrap is a 4' linkable linear fixture for indoor use. The wraparound fixture is easy to install and features a link connector ideal for combining multiple fixtures in one row.

APPLICATIONS



Stairwells



Hallways



Foyers



Utility Areas

FEATURES

- Easy to use link connector allows you to combine up to 8 fixtures in one row.
- Clips at either end facilitate seamless lens removal for easy install.
- DLC approved for energy rebates.

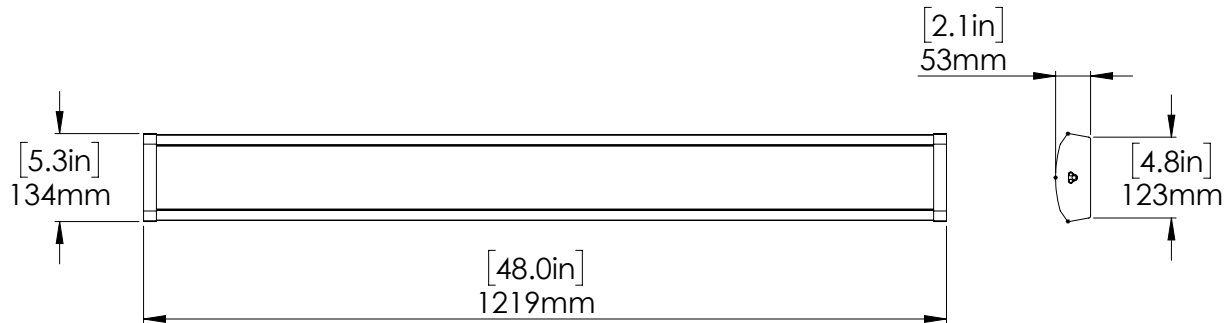
OTHER MODEL SPECIFICATIONS

MODEL DESCRIPTION	VOLTAGE (V)	INPUT POWER (W)	LIGHT OUTPUT	EFFICACY (Lm/W)	THD	PF	CCT	CRI
SMW4N-LED48-B-4K-XXX-FR	120-277V	48.4	5111	105.6	15.4	0.927	4000	83.5

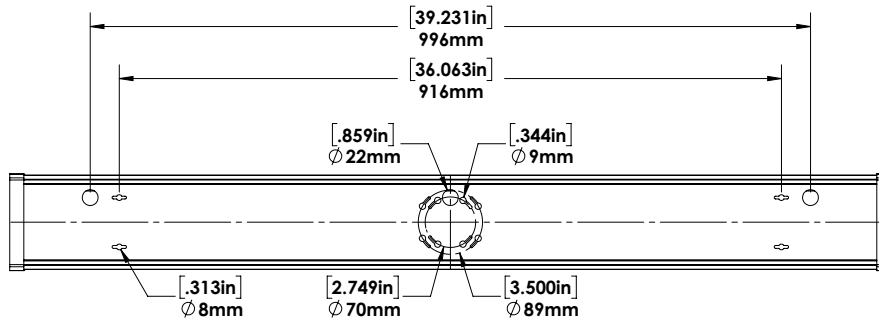
LEGEND

- B - 120V-277V
- 4K - 4000K
- XXX - HOUSING FINISH
- FR - FROSTED LENS

DIMENSIONS



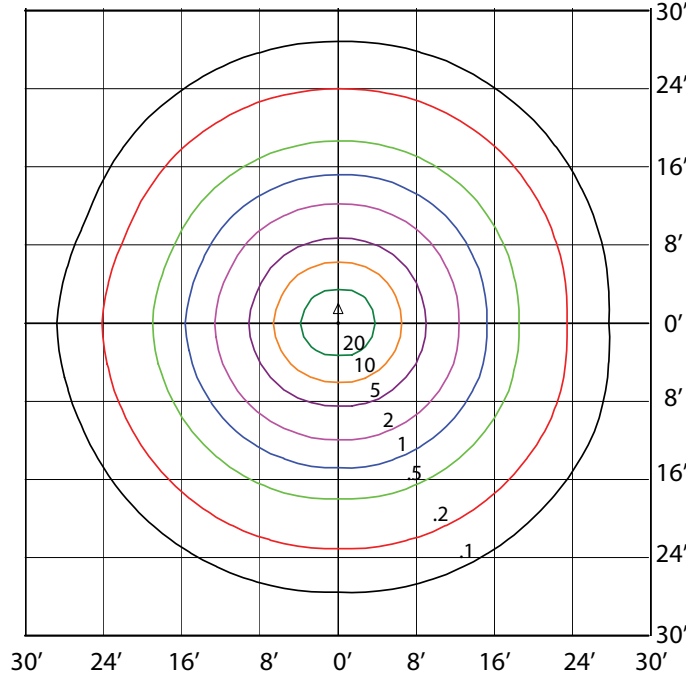
Knockouts On Back of the Fixture



Weight = 4.9lbs

PHOTOMETRICS

**SMW4N-LED48-B-4K
MOUNTED AT 8 FEET**



COEFFICIENTS OF UTILIZATION - ZONAL CAVITY METHOD

Effective Floor Cavity Reflectance 0.20

RC	80	70	50	30	10	0											
RW	70	50	30	10	50	30	10	50	30	10	0						
0	119	119	119	119	116	116	116	111	111	111	106	106	106	101	101	101	99
1	109	104	100	96	106	102	98	94	97	94	91	93	91	88	90	88	84
2	99	91	84	79	96	89	83	78	85	80	76	82	78	74	79	75	72
3	91	80	72	66	88	79	71	65	76	69	64	73	67	63	70	66	62
4	83	71	63	56	81	70	62	56	67	60	55	65	59	54	63	58	53
5	77	64	55	49	75	63	55	48	61	53	48	59	52	47	57	51	47
6	71	58	49	43	69	57	49	42	55	48	42	53	47	42	52	46	41
7	66	53	44	38	64	52	44	38	50	43	37	49	42	37	47	41	37
8	61	48	40	34	60	47	39	34	46	39	34	45	38	33	43	37	33
9	57	44	36	31	56	44	36	31	42	35	30	41	35	30	40	34	28
10	54	41	33	28	53	40	33	28	39	32	28	38	32	27	37	32	27

ZONAL LUMEN SUMMARY

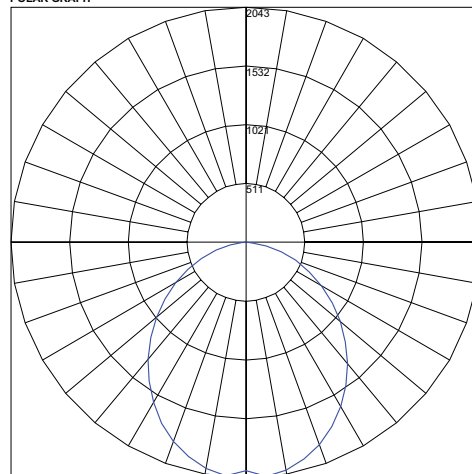
Zone	Lumens	%Lamp	%Fixt
0-20	718.77	14.20	14.20
0-30	1497.85	29.60	29.60
0-40	2394.99	47.30	47.30
0-60	4039.06	79.80	79.80
0-80	4918.52	97.20	97.20
0-90	5021.57	99.20	99.20
10-90	4833.55	95.50	95.50
20-40	1676.22	33.10	33.10
20-50	2559.2	50.60	50.60
40-70	2205.36	43.60	43.60
60-80	879.46	17.40	17.40
70-80	318.17	6.30	6.30
80-90	103.05	2.00	2.00
90-110	18.60	0.40	0.40
90-120	22.00	0.40	0.40
90-130	25.79	0.50	0.50
90-150	33.70	0.70	0.70
90-180	39.08	0.80	0.80
110-180	20.48	0.40	0.40
0-180	5060.65	100.00	100.00

ZONAL LUMEN SUMMARY

Zone	Lumens
0-10	188.03
10-20	530.74
20-30	779.08
30-40	897.14
40-50	882.98
50-60	761.09
60-70	561.29
70-80	318.17
80-90	103.05
90-100	14.99
100-110	3.61
110-120	3.40
120-130	3.78
130-140	4.09
140-150	3.82
150-160	3.01
160-170	1.81
170-180	0.56

Total Luminaire Efficiency = 100.00%

POLAR GRAPH



Maximum Candela = 2042.554 Located At Horizontal Angle = 90, Vertical Angle = 5
Vertical Plane Through Horizontal Angles (90 - 270) (Through Max. Cd.)

EASY WIRING TAB



Easy Installation

Clips on either end can be slid off allowing installer to easily remove the lens for ease of wiring and maintenance.

LINK CONNECTOR



Link Connector

The easy to use link connector fits into the end of the SMW4N-LED fixture and enables you to combine up to eight fixtures in a row.

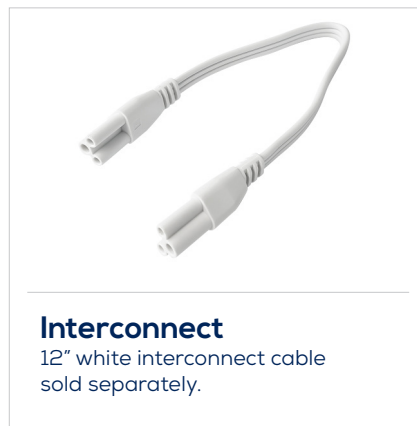
(Fixture comes complete with link connector in the box)

ACCESSORIES (SOLD SEPARATELY)



Cord & Plug

5' cord and plug sold separately.



Interconnect

12" white interconnect cable sold separately.

ORDERING GUIDE

SMW4N					
	WATTS	VOLTAGE	COLOUR TEMP.	FINISH	LENS
	LED48	B - 120 - 277V*	4K - 4000K*	WHT - WHITE*	FR - FROSTED LENS*

*Standard Configuration.

Non Dimmable: Fixture should be used with non dimmable switches.

ACCESSORIES ORDERING GUIDE

CHECK THE ACCESSORIES YOU WISH TO ORDER:

CORD & PLUG - SMW-LED 5' CORD AND PLUG WHT

INTERCONNECT CABLE - SMW-LED 12" INTERCONNECT CABLE WHT

SMW-LED LINK CONNECTOR (included in package, can also be ordered separately if needed)