



GWL2-LED30

LED Wall Light



SPECIFICATIONS*

Watts	31
Lumens	3228
Efficacy	104
Replaces Up To	100W MH
Colour Temp	5000K*
Certification	cULus, IP65
Operating Temp	-40°C to +40°C
Voltage	120-277V*, 347V
LED Life	100,000 Hours
Housing Material	Cast Aluminum
Lens Material	Polycarbonate
Finish	Bronze
Total Harmonic Distortion	13.47%
Power Factor	>0.93
Mounting Options	Wall Mounted

*Standard



DESCRIPTION

The GWL-LED fixtures are compact in design, have an easy installation feature and a high efficacy of over 100 lumens per watt.

APPLICATIONS



Entrances
and Exits



Offices



Condos

FEATURES

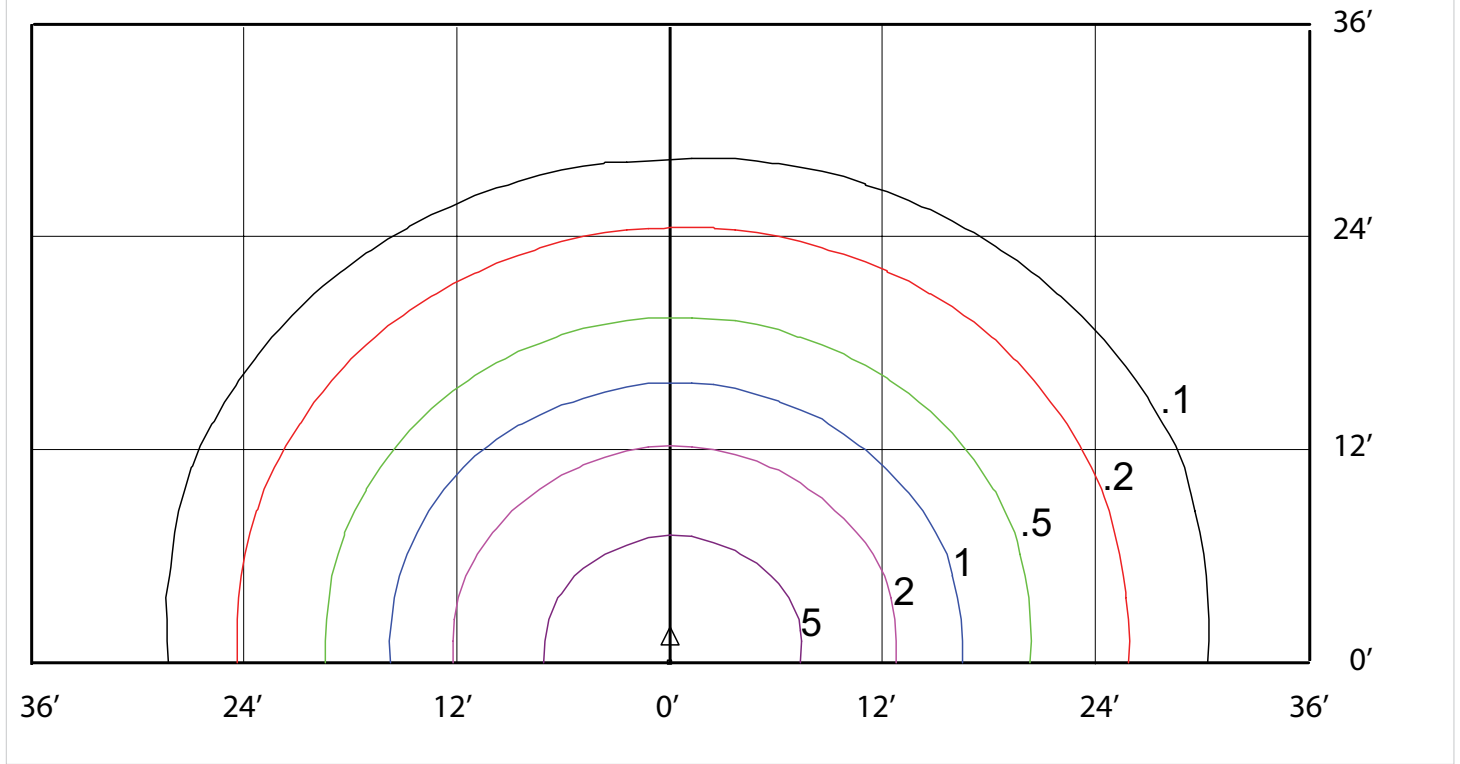
- Fixture is designed to hook and secure itself on top of the housing so installer can use both hands to connect wires easily.
- The backbox has a built-in level bubble to facilitate mounting alignment
- Die cast aluminum housing with stainless steel hardware
- The fixture can be surface mounted onto a junction box or directly mounted on the wall

*The above specs apply to the standard product configuration. For spec information on other product configurations please see page 2.

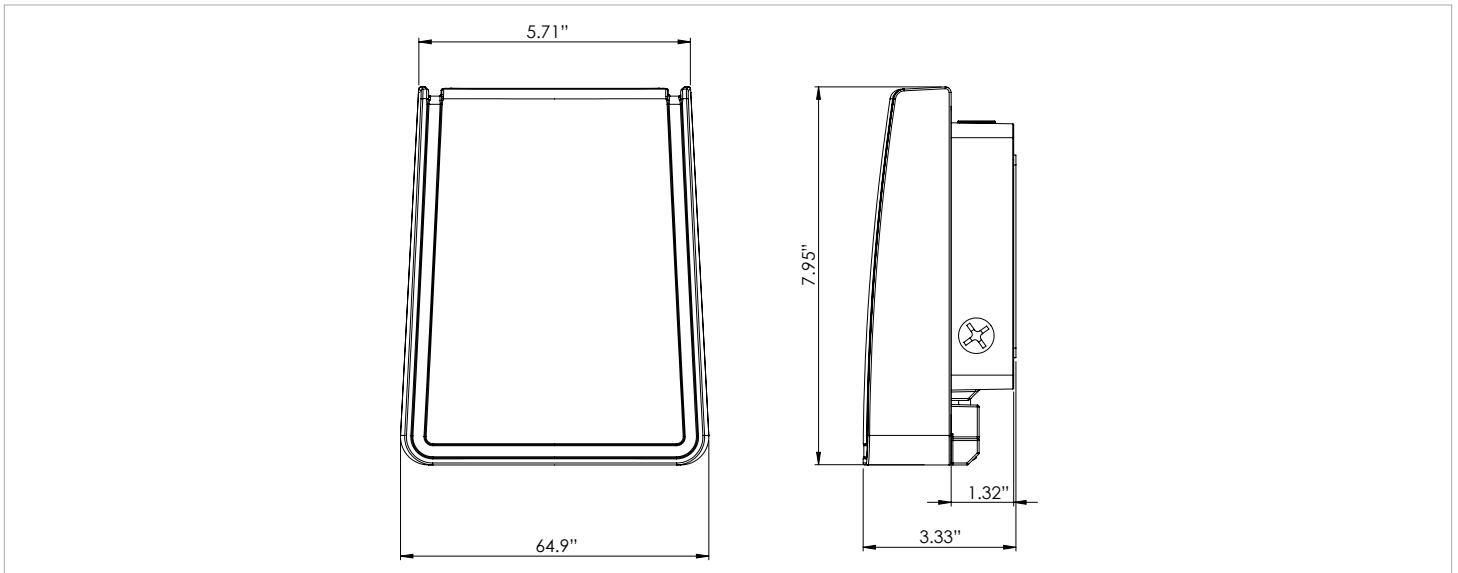
NOTE: Not all of our product configurations are qualified on the DLC QPL. To view all of our DLC qualified products please visit the DLC qualified products list at www.designlights.org/qpl.

CANDELA PLOTS

GWL2-LED30 5K MOUNTED AT 12 FEET



DIMENSIONS



EASY INSTALLATION



Open fixture, mount back box to junction box



Hook fixture on top of the housing and easily connect wires using both hands



Unhook fixture from housing, flip over and reattach fixture to housing



Push fixture against housing and tighten screw(s) below lens

OTHER MODEL SPECIFICATIONS

MODEL DESCRIPTION	VOLTAGE (V)	INPUT POWER (W)	LIGHT OUTPUT	EFFICACY (Lm/W)	THD	PF	CCT(K)	CRI
GWL2-LED30-B-5K-XXX	120-277	31.06	3228.2	103.95	13.47	0.9261	5000	83.6
GWL2-LED30-C-5K-XXX	347	31.42	3065.9	97.58	14.11	0.9173	5000	80.9

LEGEND

B - 120V-277V, C-347V

5K - 5000K

XXX - HOUSING FINISH

ORDERING GUIDE



WATTS	VOLTAGE	COLOUR TEMP.	FINISH
	B - 120 - 277V*	5K - 5000K*	BRZ - BRONZE*
	C - 347V		