



GWL4-LED80

LED Wall Light



SPECIFICATIONS*

Watts	79
Lumens	7927
Efficacy	101
Replaces Up To	250W MH
Colour Temp	5000K*
Certification	cULus, IP65
Operating Temp	-40°C to +40°C
Voltage	120-277V*, 347V
LED Life	100,000 Hours
Housing Material	Cast Aluminum
Lens Material	Polycarbonate
Finish	Bronze
Total Harmonic Distortion	13.51%
Power Factor	>80
Mounting Options	Wall Mounted

*Standard



DESCRIPTION

The GWL-LED fixtures are compact in design, have an easy installation feature and a high efficacy of over 100 lumens per watt.

APPLICATIONS



Entrances
and Exits



Offices



Condos

FEATURES

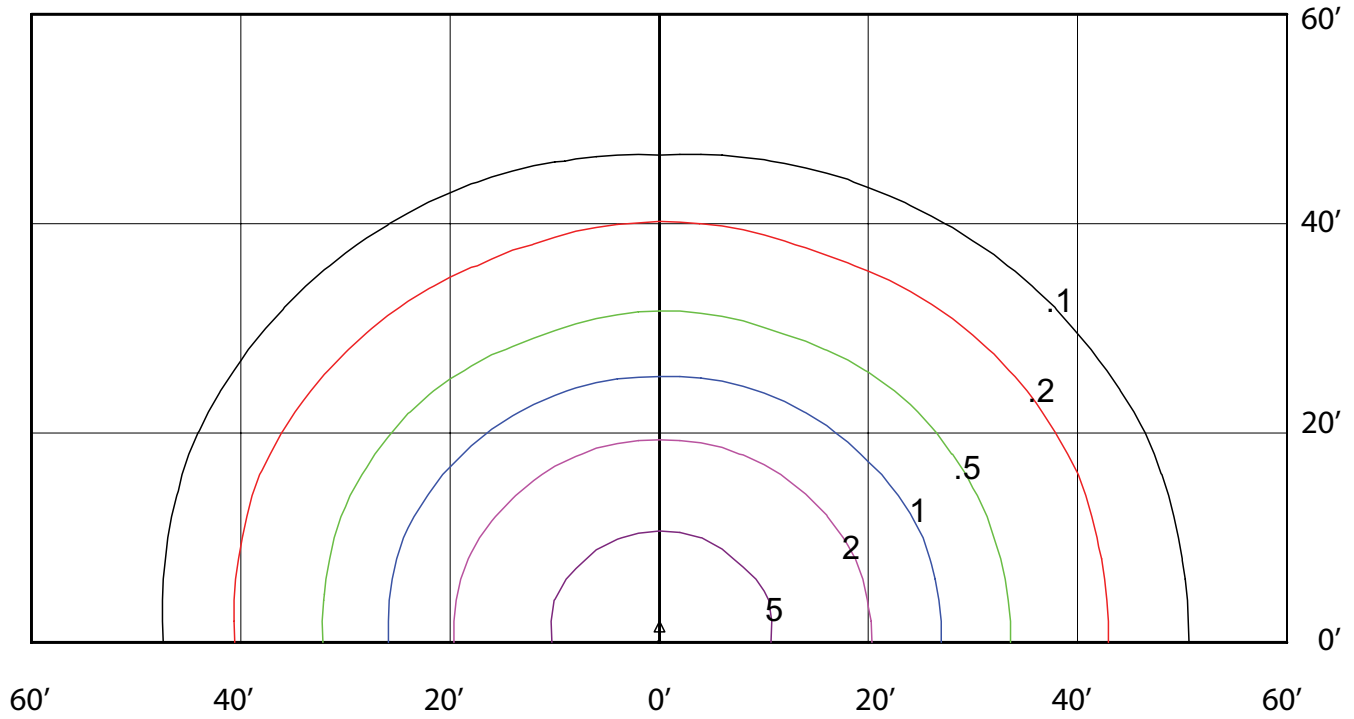
- Fixture is designed to hook and secure itself on top of the housing so installer can use both hands to connect wires easily.
- The backbox has a built-in level bubble to facilitate mounting alignment
- Die cast aluminum housing with stainless steel hardware
- The fixture can be surface mounted onto a junction box or directly mounted on the wall

*The above specs apply to the standard product configuration. For spec information on other product configurations please see page 2.

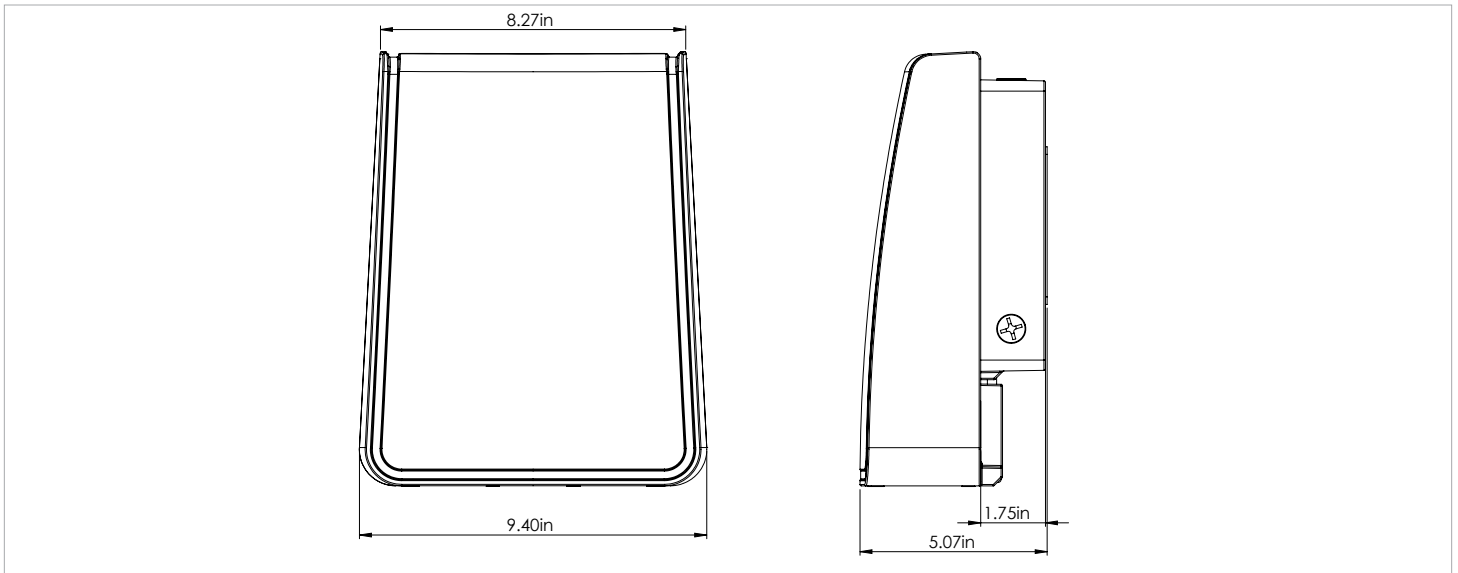
NOTE: Not all of our product configurations are qualified on the DLC QPL. To view all of our DLC qualified products please visit the DLC qualified products list at www.designlights.org/qpl.

CANDELA PLOTS

GWL4-LED80 5K MOUNTED AT 20 FEET



DIMENSIONS



EASY INSTALLATION



1 Open fixture, mount back box to junction box



2 Hook fixture on top of the housing and easily connect wires using both hands



3 Unhook fixture from housing, flip over and reattach fixture to housing



4 Push fixture against housing and tighten screw(s) below lens

OTHER MODEL SPECIFICATIONS

MODEL DESCRIPTION	VOLTAGE (V)	INPUT POWER (W)	LIGHT OUTPUT	EFFICACY (Lm/W)	THD	PF	CCT(K)	CRI
GWL4-LED80-B-5K-XXX	120-277	78.41	7927.3	101.11	13.51	0.9228	5000	84.3
GWL4-LED80-C-5K-XXX	347	79.58	7803.6	98.06	13.96	0.9254	5000	80.9

LEGEND

B - 120V-277V, C-347V
 5K - 5000K
 XXX - HOUSING FINISH

ORDERING GUIDE

GWL4	LED80			
WATTS	VOLTAGE	COLOUR TEMP.	FINISH	
	B - 120 - 277V*	5K - 5000K*	BRZ - BRONZE*	
	C - 347V			