



# CPL22-LED30A18

Lumen Adjustable | Colour Selectable  
LED Panel

## SPECIFICATIONS

Watts	30W, 24W, 18W
Lumens	3750 max
Efficacy (Lm/W)	125 Lm/W
Colour Temp	3.5K, 4K, 5K
Operating Temp	-20°C to +40°C
Voltage	120-227V 120-347V
THD	12.2%
Material	PMMA Lens (acrylic lens) Frame: Aluminum
Beam Angle	120°
Mounting	T-bar ceiling mount (standard), suspension or surface mount kits (optional)
Dimming	0-10V (10%-100%)
PF	>0.9

Other Available Sizes:



2' x 4'

1' x 2'



## DESCRIPTION

Ceiling panels with back-lit technology that provide uniform distribution, superior performance and reduced glare.

## APPLICATIONS



Offices



Schools



Retail



Commercial Spaces

## FEATURES

- Lumen Adjustable and Colour Selectable Backlit LED Panels
- 3 switch settings for lumen adjustment - 30W/24W/18W
- 3 switch settings for colour selection - 3.5K/4K/5K
- Aluminum frame and PMMA lens
- 1x4, 2x2, 2x4 panels in 3500K, 4000k or 5000k
- Standard units mount in T-grid ceiling applications
- Surface mount and suspension mount kits available

**AMPERAGE DRAW & SURGE PROTECTION**

CURRENT (A)					SURGE PROTECTION (kV)	
120V	208V	240V	277V	347V	120-277V	120-347V
0.27A	0.16A	0.14A	0.12A	0.1A	4kV	2kV

**LUMEN MAINTENANCE**

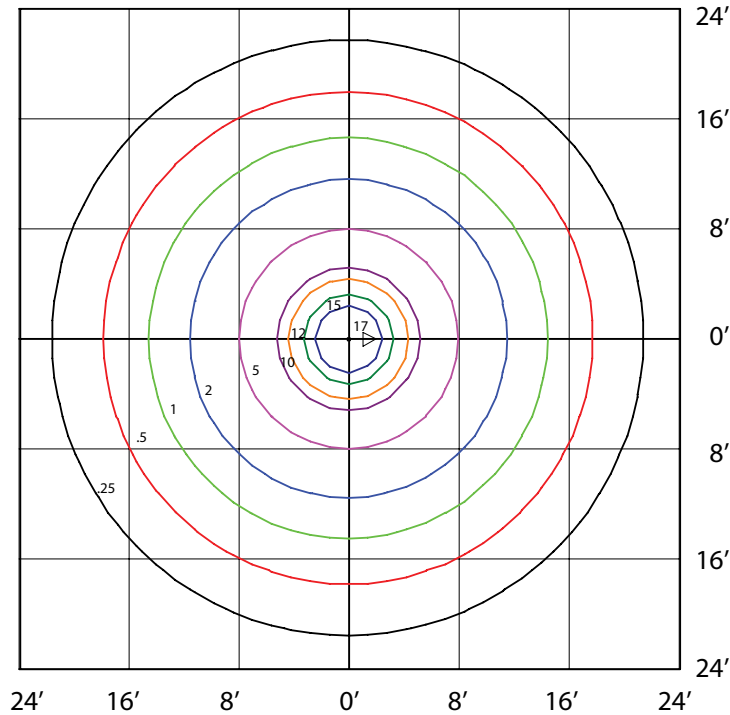
50,000 HOURS	75,000 HOURS	100,000 HOURS
90%	86%	82%

**Weights (lbs)**

5.2
-----

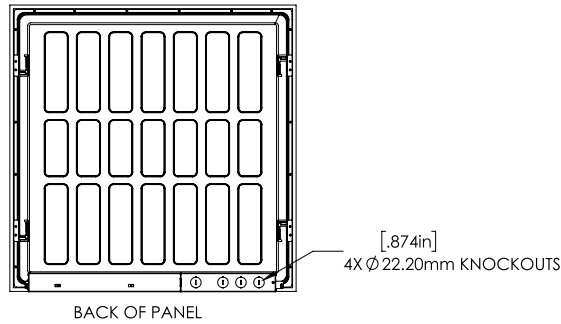
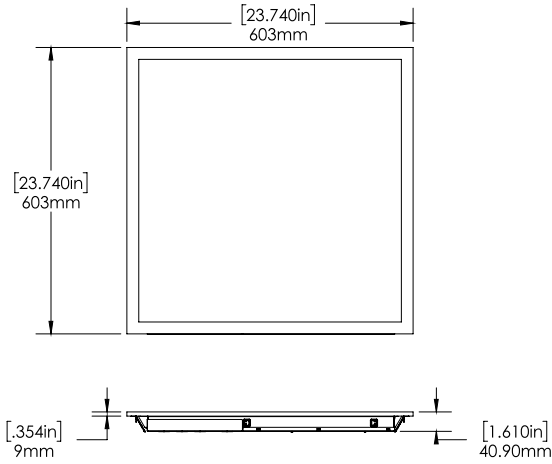
CPL22-LED30-B-35K-DIM (CPL22-LED30A18-B-VK-DIM)  
MOUNTED AT 8 FEET

Total Lumens = 3816      Mounting Height = 8 Ft      Maximum Calculated Value = 20.59.14 Fc



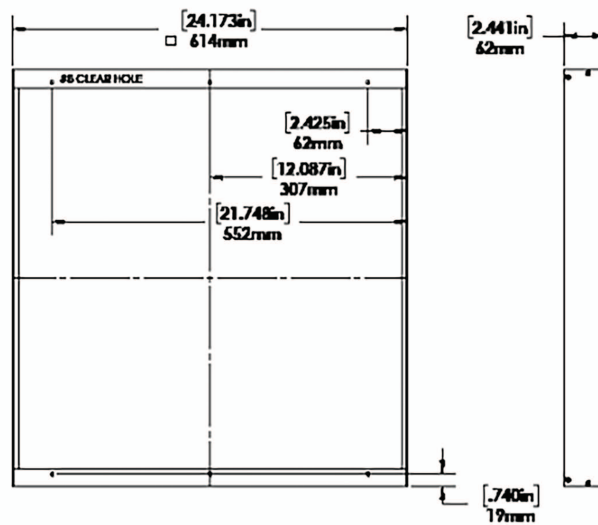
## DIMENSIONS

### 2' x 2' Panel



**Note:** Suspension Mounting Accessory Kit has a maximum length of 3.86 ft, and minimum length of 0.58 ft.

## SURFACE MOUNTING KIT



## ORDERING GUIDE

## ACCESSORIES (OPTIONAL)

<b>CPL22</b>	<b>LED30A18</b>		<b>VK</b>	
		<b>VOLTAGE</b>	<b>COLOUR TEMP.</b>	<b>DIMMING</b>
		B - 120-277V H - 120-347V	VK - Colour Selectable (3.5K/4K/5K)	DIM - 0-10V Dimming*

070002 - 2 CABLE SUSPENSION  
MOUNT KIT F/BACKLIT CPL

072200 - CPL22 SURFACE  
MOUNTING KIT WHT

\*Standard Configuration