



AWL2S-LED

Select Series Adjustable Wall light

SPECIFICATIONS

	AWL2S-LED50	AWL2S-LED80	AWL2S-LED80A50
Watts	51	81	80 (max)
Lumens	6,329	10,284	9,783
Efficacy (Lm/W)	124	120	118
B-U-G	2-2-1	3-2-1	
Replaces Up to	150W MH	175W/250W MH	
Voltage	120-277V		120-347V
Colour Temp	CCT Selectable - 3000K / 4000K / 5000K Factory set to 4K		
Finish	Bronze, Custom Colour		
LED Life	100,000 Hours		
Working Temp	-40°C to +50°C		
CRI	>70		
Dimming	0-10V Dimming		
Options	Dimming Motion Sensor, 10kV surge protection		
THD	15%		
Power Factor	0.900		
Weight (Lbs)	4.12		
# of Conduit Entries	5		
Photocell	Included		
Housing Finish	Die Cast Aluminum		
Lens	Clear Polycarbonate		



ADJUSTABLE HEAD



DESCRIPTION

The AWLS-LED select series wall light is a colour selectable fixture with an adjustable head to direct light wherever needed. Ideal for use in perimeter lighting, condos, schools, and town houses.

IDEAL APPLICATIONS



FEATURES

- Colour Selectable Fixture - Installer can choose between 3000K/4000K/5000K through a switch inside the housing.
- AWL2S-LED80A50 is a lumen adjustable unit with 3 settings at 80W, 60W, and 50W.
- Adjustable head to direct light wherever needed.
- Hinge Assembly allows Installer to use both hands for wiring.
- Level bubble for quick alignment.
- Photocell is included.

AMPERAGE DRAW AND SURGE PROTECTION							
	CURRENT(A)					SURGE PROTECTION (kV)	
	120V	208V	240V	277V	347V	120-277V	120-347V
AWL2S-LED50	0.44A	0.26A	0.22A	0.19A	x	4kV	x
AWL2S-LED80	0.7A	0.41A	0.35A	0.31A	x	6kV	x
AWL2S-LED80A50	0.7A	0.41A	0.35A	0.31A	0.25A	x	2.5kV

LUMEN MAINTENANCE			
	50,000	75,000	100,000
AWL2S-LED50	90%	85%	81%
AWL2S-LED80	90%	85%	81%

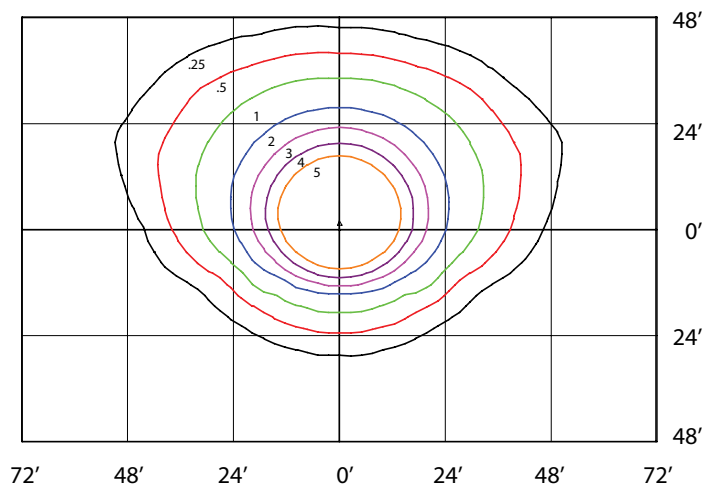
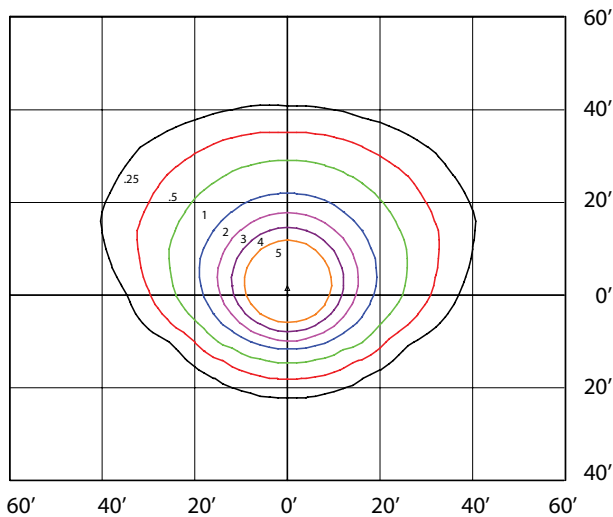
AWL2S-LED80A50 ADJUSTABLE LUMEN SETTINGS			
WATTS	50	60	80
	5995	7194	9783

AWL2S-LED50-B-4K-BRZ-DIM-PC
MOUNTED AT 20 FEET

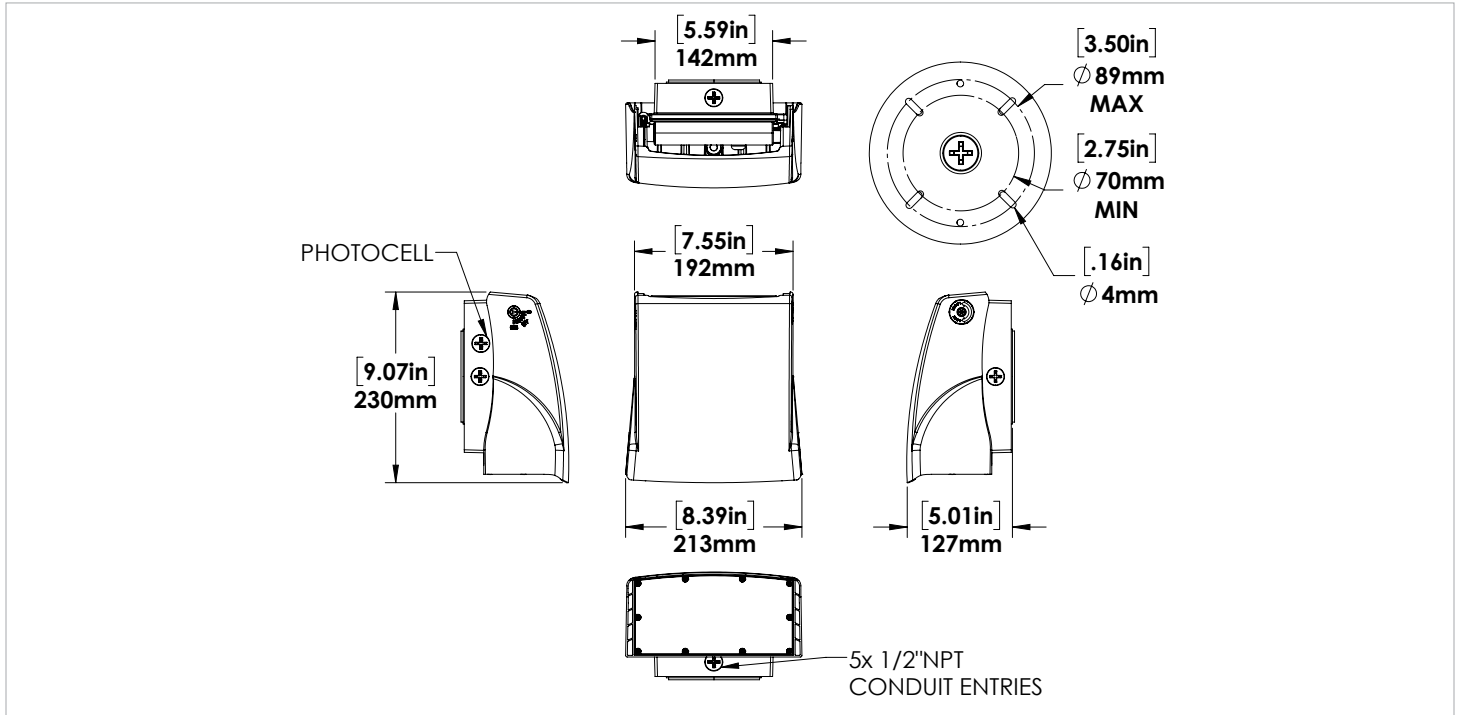
AWL2S-LED80-B-4K-BRZ-DIM-PC
MOUNTED AT 24 FEET

Total Lumens = 7068 Mounting Height = 20 Ft Maximum Calculated Value = 7.37 Fc

Total Lumens = 11616 Mounting Height = 24 Ft Maximum Calculated Value = 9.02 Fc



DIMENSIONS



ORDERING GUIDE

AWL2S			VK		DIM		
WATTS	VOLTAGE	COLOUR TEMP.	FINISH	DRIVER	CONTROLS	OPTIONS	
LED 50 LED80	B - 120-277V*	VK - COLOUR SELECTABLE* (can be adjusted to 3K, 4K, or 5K)	BRZ-BRONZE* CC - CUSTOM COLOUR***	DIM - 0-10V DIMMING*	PC - PHOTOCELL* DMS - DIMMING SENSOR (only for B-120-277V)	SP10- 10KV SURGE PROTECTION	
LED80A50**	H - 120-347V*						

*Standard Configuration.

** Is only available in 120-347V

*** Custom colours are only available with
80A50 and 120-347V configuration.