



GAMMA-LED75

LED Area Light

SPECIFICATIONS*

Watts	78
Lumens	8701
Efficacy	111.8 lm/W
Replaces Up To	250W MH
Colour Temp	5000K, 4000K*, 3000K
Operating Temp	-40°C to +40°C
Voltage	120-277V*, 347V
Certification	cETLus, DLC
Housing Material	Die Cast Aluminum
Lens	Prismatic Polycarbonate
Power Factor	0.990
Total Harmonic Distortion	10.0%
CRI	72
Mounting	Post top Mounting , 2-3/8" tenon
Controls	Photocell, 3/7 PIN Receptacle
EPA	1.08
Weight	21 lbs



DESCRIPTION

The GAMMA-LED is a sleek, modern post top area light with a Type 5 medium distribution. Intelligently designed, this fixture provides superior lighting performance and significant energy savings over traditional fixtures.

APPLICATIONS



Condos



Pathways



Commercial Properties

FEATURES

- Sleek, modern post top fixture with Type 5 medium beam distribution.
- Prismatic polycarbonate lens for glare-free, even illumination.
- Tabs on the fixture allow for easy, toolless maintenance.
- Photocell, 3/7 PIN Receptacle are optional.
- 10kV surge suppression is standard.

*The above specs apply to the standard product configuration - GAMMA-LED75-B-4K-T5M-BLK-DIM. For spec information on other product configurations please see page 2.

OTHER MODEL SPECIFICATIONS

DESCRIPTION	VOLTAGE (V)	INPUT POWER (W)	LIGHT OUTPUT (LM)	EFFICACY (LM/W)	THD (%)	PF	CCT (K)	B-U-G
GAMMA-LED75-B-3K-T5M-XXX-DIM-[PC,Blank]	120-277	78	8701	111.8	10.0	0.990	3000	2-2-1
GAMMA-LED75-B-4K-T5M-XXX-DIM-[PC,Blank]	120-277	78	8701	111.8	10.0	0.990	4000	2-2-1
GAMMA-LED75-B-5K-T5M-XXX-DIM-[PC,Blank]	120-277	78	8701	111.8	10.0	0.990	5000	2-2-1
GAMMA-LED75-C-3K-T5M-XXX-DIM-[PC,Blank]	347	83	8701	104.7	10.0	0.990	3000	2-2-1
GAMMA-LED75-C-4K-T5M-XXX-DIM-[PC,Blank]	347	83	8701	104.7	10.0	0.990	4000	2-2-1
GAMMA-LED75-C-5K-T5M-XXX-DIM-[PC,Blank]	347	83	8681	105.2	10.0	0.990	5000	2-2-1

LEGEND

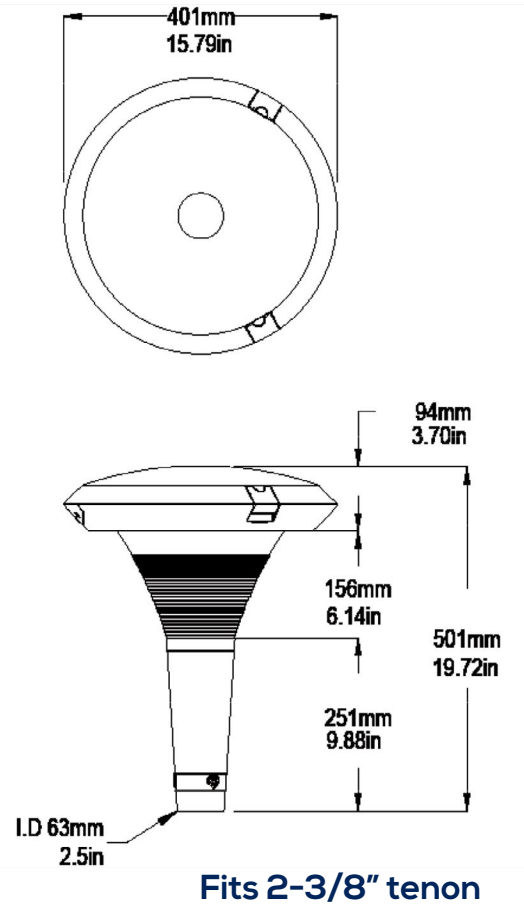
B - 120V-277V, C - 347V
 4K - 4000K, 5K - 5000K, 3K - 3000K
 T5M- BEAM TYPE 5 MEDIUM
 XXX - HOUSING FINISH
 DIM - 0-10V DIMMING
 PC - PHOTOCELL

	EPA	WEIGHT
GAMMA-LED	1.08	21 lbs

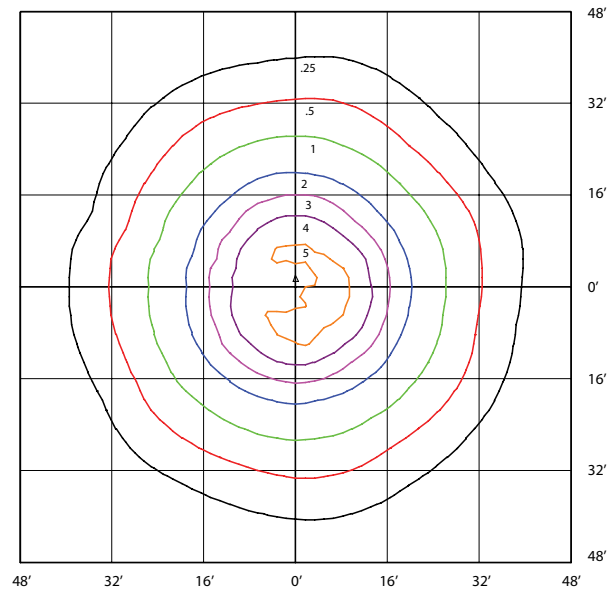
LUMEN MAINTENANCE			
	50,000 Hours	75,000 Hours	100,000 Hours
GAMMA-LED75	89%	84%	79%

AMPERAGE DRAW & SURGE PROTECTION							
	Current (A)					Surge Protection (kV)	
	120V	208V	240V	277V	347V	120-277V	347V
GAMMA-LED75	0.66A	0.38A	0.33A	0.29A	0.23A	10kV	10kV

DIMENSIONS



GAMMA-LED75-B-4K-T5-DIM
MOUNTED AT 16 FEET
LUMINAIRE LUMENS 8673
MAXIMUM CALCULATED VALUE = 5.41 Fc
B3-U3-G2



ORDERING GUIDE



WATTS	VOLTAGE	COLOUR TEMP.	BEAM	FINISH	DIMMING	CONTROLS
	B - 120 - 277V*	4K - 4000K*	T5M- TYPE 5 MEDIUM	BLK-BLACK*	DIM-0-10V DIMMING	PC - PHOTOCELL
	C - 347V	5K - 5000K		CC - CUSTOM COLOUR		7PIN - 7 PIN RECEPTACLE FOR SMART CONTROLS
		3K - 3000K				3PIN - 3 PIN RECEPTACLE FOR ON/OFF PHOTOCELLS

*Standard Configuration.