



LND/LNUD-LED

Linear Direct/Indirect Architectural Fixtures



IDEAL APPLICATIONS

- Hallways
 Boardrooms
 Offices
 Reception Areas

DESCRIPTION:

The LND/LNUD-LED Series are linear direct/indirect architectural fixtures that create a sleek, modern look for commercial spaces. These fixtures are versatile with features such as colour selection, multiple mounting options and connector accessories which facilitate lighting set ups in different shapes and configurations.

FEATURES:

- Sleek linear fixtures for direct/indirect lighting.
- Available in 2', 4', 6', 8' lengths
- Fixtures can be connected in straight runs or in different configurations using connector accessories. Examples include Octagon, Square, Rectangle, Cross, T and Y shape.
- The fixtures can be connected in the linear configuration through the bracket by simply removing the end caps and connecting the fixtures together.
- Connectors include LED boards in the downward orientation to provide seamless continued illumination in any pattern.
- The direct lighting from the fixtures have a beam angle distribution of 90 degrees.
- Ceiling mount, suspension mount or wall mount.
- Can do runs of up to 64' with one power supply.
- Fixtures are colour selectable allowing you to choose between 3000K/4000K/5000K at the time of installation.
- 0-10V dimming (5-100%) is standard.
- Standard finish is white, custom colours available.

SPECIFICATIONS	LND/LNUD24 -LED20	LND/LNUD48 -LED40	LND/LNUD72 -LED60	LND/LNUD96 -LED80
Orientation	Down light (LND) or Updown light (LNUD)			
Length	2'	4'	6'	8'
Watts	20	40	60	80
Lumens	2,420	4,800.5	7,293.4	9,733.4
Efficacy (Lm/W)	121	120.8	121.6	121.7
Voltage	120 - 277V*, 120 - 347V			
Colour Temp.	VK - Colour Selectable 3000K/4000K/5000K*			
Finish	White*, Custom Colour			
Housing Details	Extruded Aluminum			
Mounting	Ceiling Surface Mount*, Suspension Mount**, Wall Mount***			
THD	15	7	15	
PF	0.9	0.95	0.9	
LED Life @ 100,000 Hours	77%			
Operating Temp.	-30°C to +40°C			
CRI	84			
Dimming	0-10V Dimming (Range: 5%-100%)*			
Certifications	UL, Damp Location, 5 Year Warranty,			
Factory Installed Options	Battery Backup, Wall Mount			
Options Sold Separately	6' Suspension Mount Kit, 120° L and Y connector, 90° L, Y and X Connector			

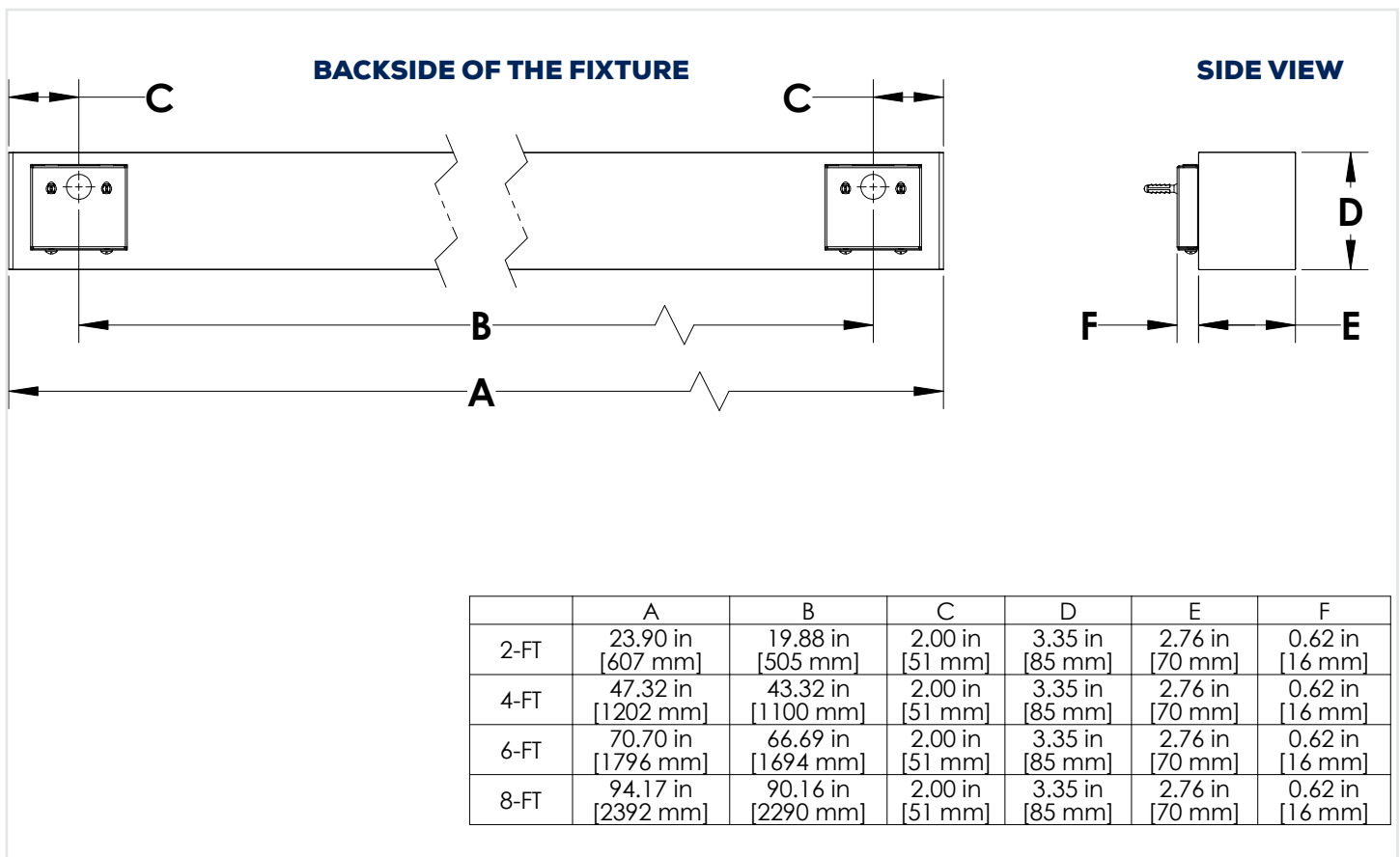
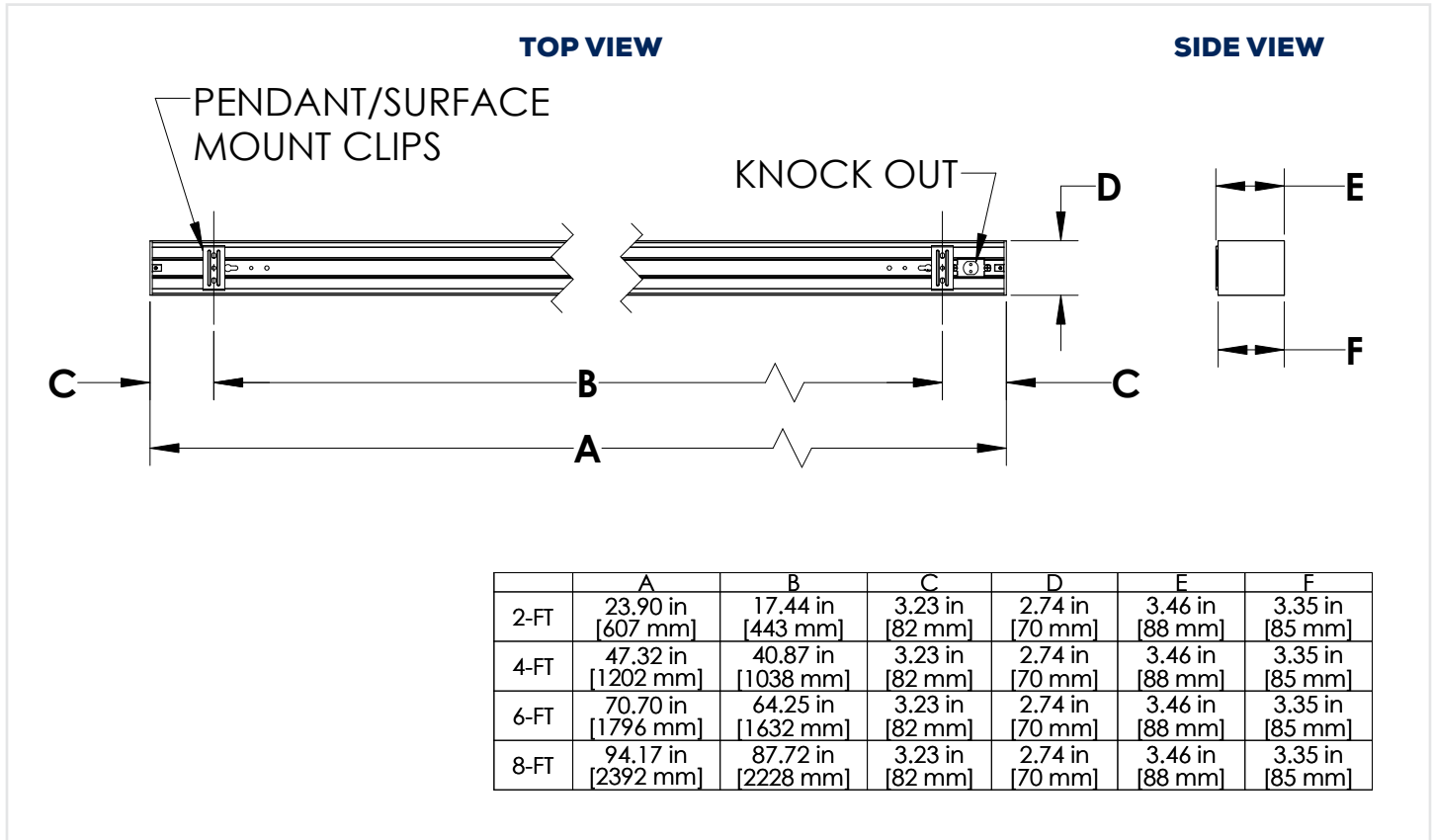
* Standard

** Order Suspension Mount Kit separately.

*** Wall Mount Units are configured in our factory.

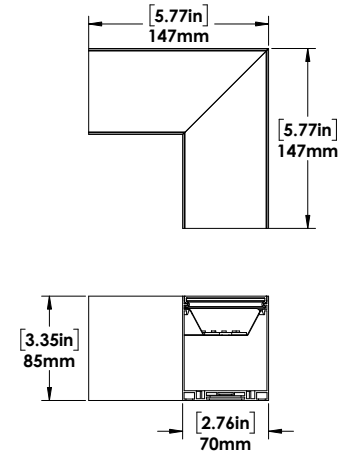


DIMENSIONS

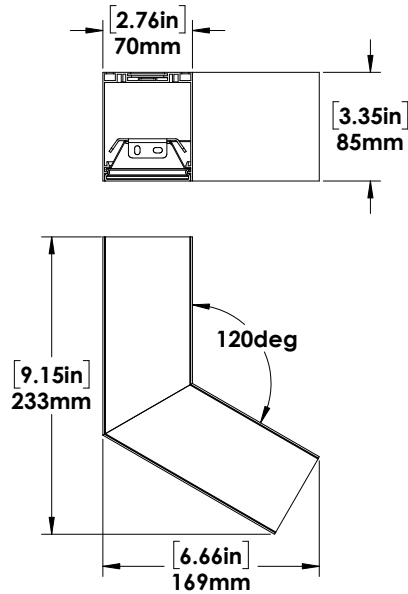


ACCESSORIES DIMENSIONS

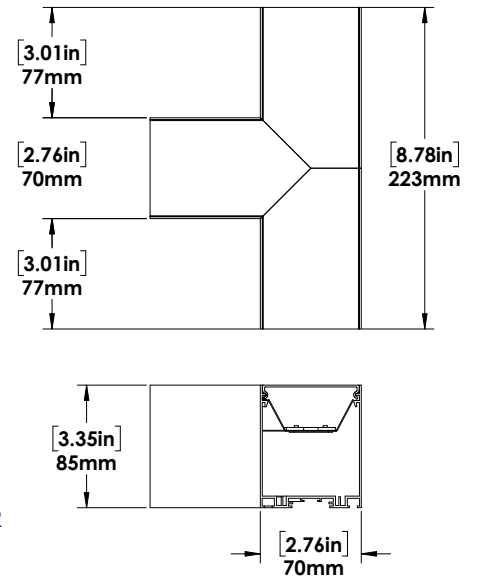
L90 INSIDE CONNECTOR



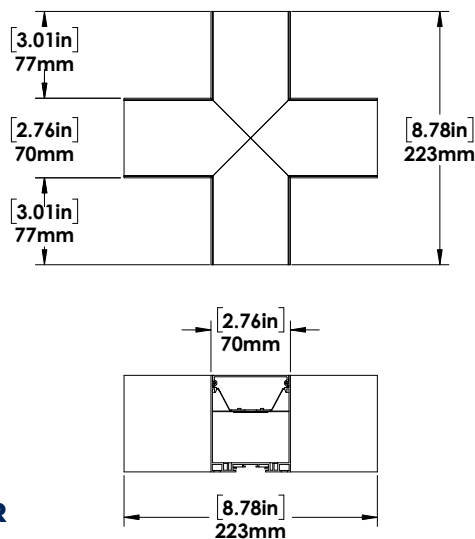
L120 INSIDE CONNECTOR



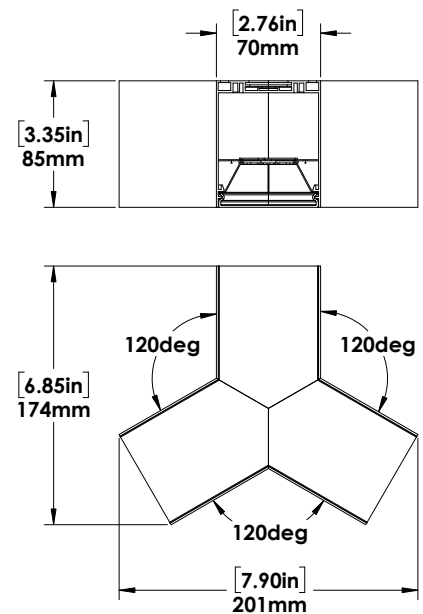
T INSIDE CONNECTOR



X INSIDE CONNECTOR



Y INSIDE CONNECTOR



AMPERAGE DRAW & SURGE PROTECTION							
	CURRENT (A)					SURGE PROTECTION (kV)	
	120V	208V	240V	277V	347V	120-277V	120-347V
LND/LNUD24-LED20	0.18A	0.11A	0.09A	0.08A	0.07A	2.5kV	2kV
LND/LNUD48-LED40	0.35A	0.21A	0.18A	0.16A	0.13A	2kV	
LND/LNUD72-LED60	0.53A	0.31A	0.27A	0.23A	0.19A	2kV	
LND/LNUD96-LED80	0.7A	0.41A	0.35A	0.31A	0.25A	2kV	

WEIGHT (LBS)	
LND/LNUD24-LED20	3.5
LND/LNUD48-LED40	5.5
LND/LNUD72-LED60	8.5
LND/LNUD96-LED80	10

LUMEN MAINTENANCE			
	50,000 HRS	75,000 HRS	100,000 HRS
LND/LNUD24-LED20 LND/LNUD48-LED40 LND/LNUD72-LED60 LND/LNUD96-LED80	87.9%	82.3%	77.1%

MAX CONNECTED IN SERIES	
FIXTURE	MAX
LND/LNUD24-LED20	30
LND/LNUD48-LED40	15
LND/LNUD72-LED60	10
LND/LNUD96-LED80	8

SPECIFICATIONS

Model Number	Voltage (V)	Power (W)	Light Output (lm)	Efficacy (lm/W)	THD (%)	PF	CCT (K)
LNUD24-LED20-B-VK-XXX-DIM	120-277	20	2600	130.0	>15	0.900	3K/4K/5K
LNUD48-LED40-B-VK-XXX-DIM	120-277	40	5186	130.7	6.8	0.956	3K/4K/5K
LNUD72-LED60-B-VK-XXX-DIM	120-277	60	7872	131.2	15.0	0.900	3K/4K/5K
LNUD96-LED80-B-VK-XXX-DIM	120-277	80	10491	131.1	15.0	0.900	3K/4K/5K
LNUD24-LED20-H-VK-XXX-DIM	120-347	20	2540	127.0	>15	0.900	3K/4K/5K
LNUD48-LED40-H-VK-XXX-DIM	120-347	39	5018	127.4	7.5	0.938	3K/4K/5K
LNUD72-LED60-H-VK-XXX-DIM	120-347	60	7661	127.9	8.1	0.939	3K/4K/5K
LNUD96-LED80-H-VK-XXX-DIM	120-347	80	10231	127.8	6.3	0.940	3K/4K/5K
LND24-LED20-B-VK-XXX-DIM	120-277	20	2420	121.0	>15	0.900	3K/4K/5K
LND48-LED40-B-VK-XXX-DIM	120-277	40	4801	120.8	7.0	0.952	3K/4K/5K
LND72-LED60-B-VK-XXX-DIM	120-277	60	7293	121.6	15.0	0.900	3K/4K/5K
LND96-LED80-B-VK-XXX-DIM	120-277	80	9733	121.7	15.0	0.900	3K/4K/5K
LND24-LED20-H-VK-XXX-DIM	120-347	20	2420	121.0	>15	0.900	3K/4K/5K
LND48-LED40-H-VK-XXX-DIM	120-347	40	4799	120.5	7.1	0.939	3K/4K/5K
LND72-LED60-H-VK-XXX-DIM	120-347	60	7331	121.3	7.0	0.939	3K/4K/5K
LND96-LED80-H-VK-XXX-DIM	120-347	80	9767	121.4	7.1	0.939	3K/4K/5K

COLOUR SELECTABLE SWITCH

1. 5000K
2. 4000K
3. 3000K

5000K
4000K
(Default switch setting)
3000K

Easily change the colour temperature with the flip of a switch.

- 1. TOP position = 5000K**
- 2. MIDDLE position = 4000K**
- 3. BOTTOM position = 3000K**

The switch is located inside of the fixture.

ORDERING GUIDE:

		VK		DIM			
Fixture	Wattage	Voltage	Colour Temp.	Paint Finish	Driver	Mounting	Options
LND24**	LED20	B - 120-277V*	VK - Colour Selectable	WHT - White*	DIM - 0 - 10V Dimming*	BLANK - Ceiling Surface Mount	BBK8 - 8W Battery Backup**
LND48	LED40	H - 120-347V	3K/4K/5K	CC - Custom Colour		WM - Wall Mount	
LND72	LED60						
LND96	LED80						
LNUD24**							
LNUD48							
LNUD72							
LNUD96							

* Standard Configuration

** Battery will only power the unit it is installed in and not power additional units in a run of fixtures.

For suspension mount option, please order suspension mount kit separately. Order Code shown below.

ORDERING GUIDE FOR ACCESSORIES

Options Sold Separately

Check the items that you wish to order:

- 083028 - LND VK 90 DEGREE L CONNECTOR WHT
- 083029 - LND VK 90 DEGREE T CONNECTOR WHT
- 083030 - LND VK 90 DEGREE X CONNECTOR WHT
- 083031 - LND VK 120 DEGREE L CONNECTOR WHT
- 083032 - LND VK 120 DEGREE Y CONNECTOR WHT
- 083033 - LND/LNUD 6' 120-277V SUSPENSION MOUNT KIT
- 083036 - LND/LNUD 6' 120-347V SUSPENSION MOUNT KIT