



VEK1X-LED30

LED Wall Light



SPECIFICATIONS*

Watts	32
Lumens	4607
Efficacy	143
Replaces Up To	150W MH
Colour Temp	3K, 4K*, 5K
Operating Temp	-40°C to +40°C
Voltage	120-277*, 347
LED Life	100,000 hours
Housing Material	Die Cast Aluminum
Lens Material	Polycarbonate
Power Factor	0.9185
Total Harmonic Distortion	12.35%



DESCRIPTION

The VEKX is an LED wall light designed for superior performance, easy one-man installation and has many options for lighting controls, surge protection, paint finish, voltage and colour temperature.

APPLICATIONS



Perimeter Lighting



Landscape Lighting



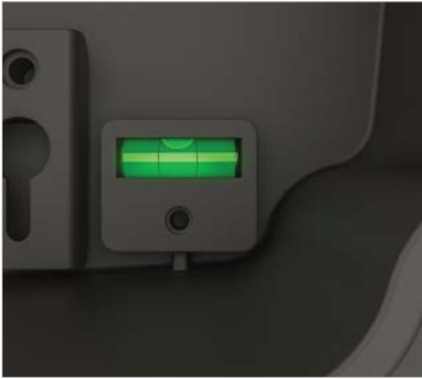
Architectural Applications

FEATURES

- Adjustable head to direct light where needed
- High performance wall light with efficacy of 143 lumens/watt
- Type3 optics for wide beam is standard. Type 4 optics for forward throw is an option.
- Fixture has been designed with easy mounting features for one man installation.
- Large back box allows for optional dimming motion sensor, on/off sensor, and 10kV surge protection.
- Photocell is standard.
- 3G vibrated tested

*The above specs apply to the standard product configuration - VEK1X-LED30, 120-277V, 4K, T3. For spec information on other product configurations please see page 4. **NOTE:** Not all of our product configurations are qualified on the DLC QPL. To view all of our DLC qualified products please visit the DLC qualified products list at www.designlights.org/qpl.

EASY ONE MAN INSTALLATION



Level bubble for easy alignment

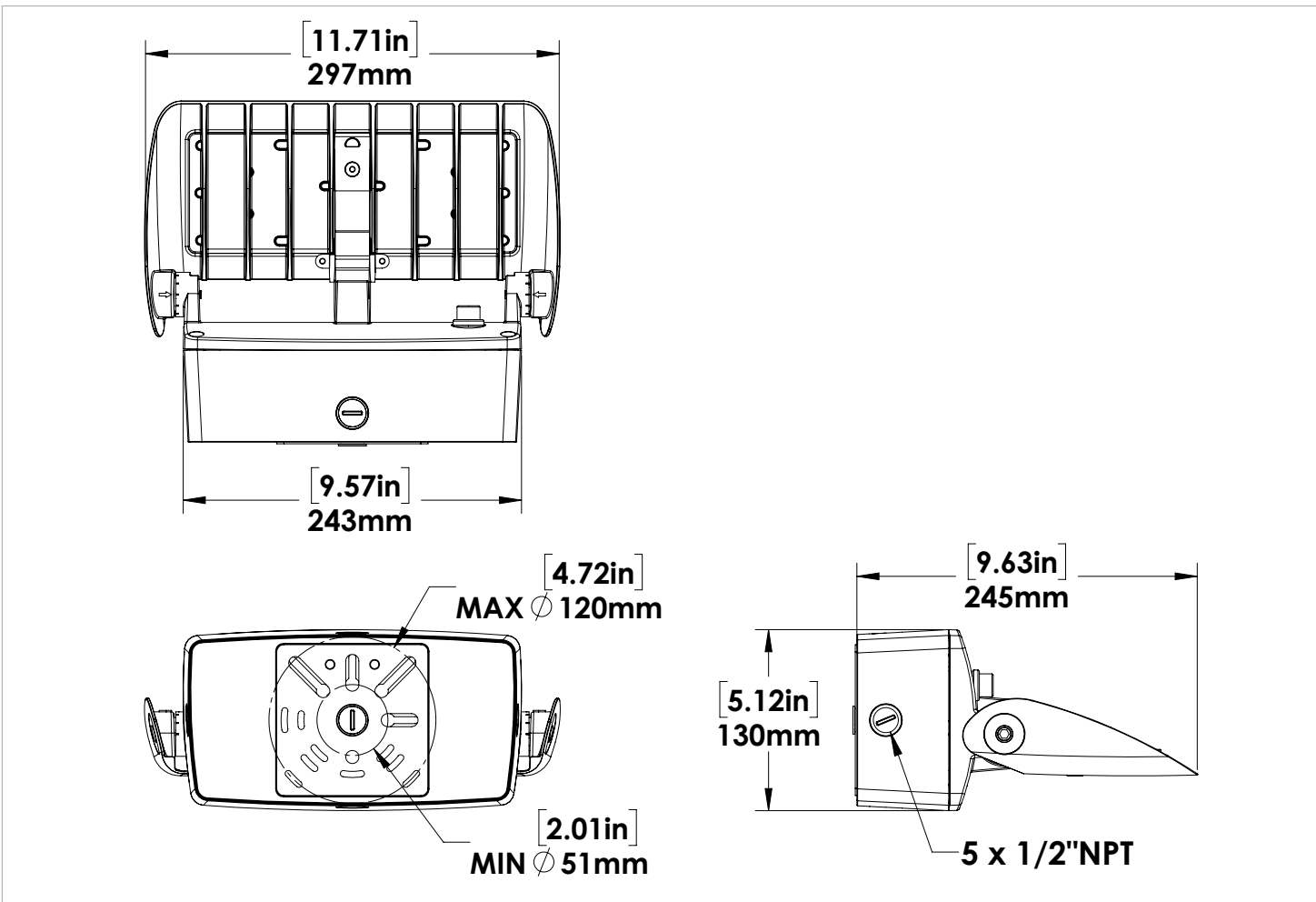


Aircraft cable goes into keyholes allowing installer to use both hands for wiring.



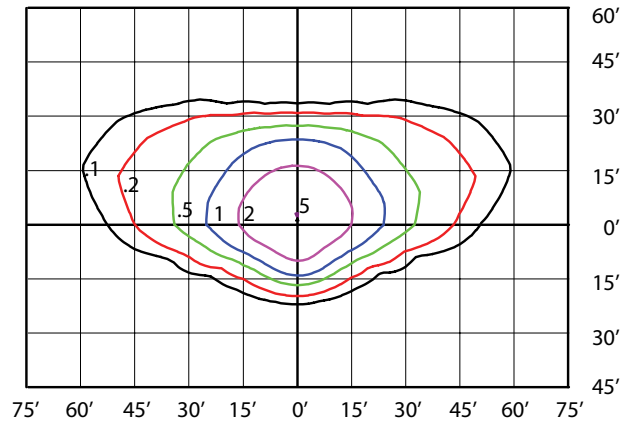
Fixture head has guide tabs that slide into the channel and lock it in place.

DIMENSIONS

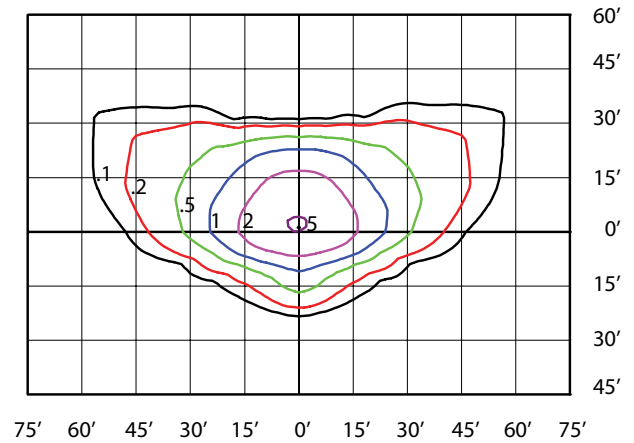


PHOTOMETRICS

**VEK1X-LED30 4K TYPE III
15 FOOT MOUNTING**



**VEK1X-LED30 4K TYPE IV
15 FOOT MOUNTING**



BUILT IN SURGE PROTECTION

FIXTURE	VOLTAGE	DRIVE SURGE PROTECTION
VEK1X-LED30-B	120-277V	6KV
VEK1X-LED30-C	347V	2.5KV

OTHER MODEL SPECIFICATIONS

MODEL DESCRIPTION	VOLTAGE (V)	INPUT POWER (W)	LIGHT OUTPUT	EFFICACY (Lm/W)	THD (%)	PF	CCT (K)	CRI
VEK1X-LED30-C-3K-T3-XXX-DIM-XX	347V	31.86	4581.7	143.81	15.02	0.9339	3000	73.4
VEK1X-LED30-B-3K-T3-XXX-DIM-XX	120-277V	31.89	4553.5	142.79	12.58	0.9171	3000	73.4
VEK1X-LED30-C-3K-T4-XXX-DIM-XX	347V	32.3	4461.6	138.13	15.34	0.9376	3000	73.4
VEK1X-LED30-B-3K-T4-XXX-DIM-XX	120-277V	32.48	4452.2	137.08	12.98	0.9175	3000	73.4
VEK1X-LED30-C-4K-T3-XXX-DIM-XX	347V	32.24	4649	144.2	15.12	0.9363	4000	72.7
VEK1X-LED30-B-4K-T3-XXX-DIM-XX	120-277V	32.16	4607	143.25	12.35	0.9185	4000	72.7
VEK1X-LED30-C-4K-T4-XXX-DIM-XX	347V	31.98	4476	139.4	15.23	0.9256	4000	72.8
VEK1X-LED30-B-4K-T4-XXX-DIM-XX	120-277V	32.14	4530	140.95	13.02	0.9189	4000	72.8
VEK1X-LED30-C-5K-T3-XXX-DIM-XX	347V	32.07	4686	146.12	15.18	0.9353	5000	73.3
VEK1X-LED30-B-5K-T3-XXX-DIM-XX	120-277V	32.01	4618	144.27	12.46	0.9173	5000	73.3
VEK1X-LED30-C-5K-T4-XXX-DIM-XX	347V	32.68	4583	140.24	15.46	0.9364	5000	71.3
VEK1X-LED30-B-5K-T4-XXX-DIM-XX	120-277V	32.12	4538	141.28	12.84	0.9192	5000	71.1

LEGEND

B - 120V-277V, C - 347V
 3K - 3000K, 4K - 4000K, 5K - 5000K
 T3 - TYPE 3 BEAM, T4 - TYPE 4 BEAM
 XXX - HOUSING FINISH
 DIM - DIMMABLE
 XX- PHOTOCELL

ORDERING GUIDE



WATTS	VOLTAGE	COLOUR TEMP.	BEAM	FINISH	DRIVER	PHOTOCELL	OPTIONS
LED30	B - 120 - 277V*	3K - 3000K	T3 - TYPE 3*	BRZ - BRONZE*	DIM - DIM-0-10V DIMMING	PC - PHOTOCELL	BLANK
	C - 347V	4K - 4000K*	T4 - TYPE 4	WHT - WHITE*			DMS - DIMMING MOTION SENSOR**
		5K - 5000K		BLK - BLACK*			SMS - ON/OFF SENSOR**
				CC - CUSTOM COLOUR			SP - 10 KV SURGE PROTECTION

*Standard Configuration.

**Photocell is disconnected when used with sensor. Sensor options are NOT DLC Qualified