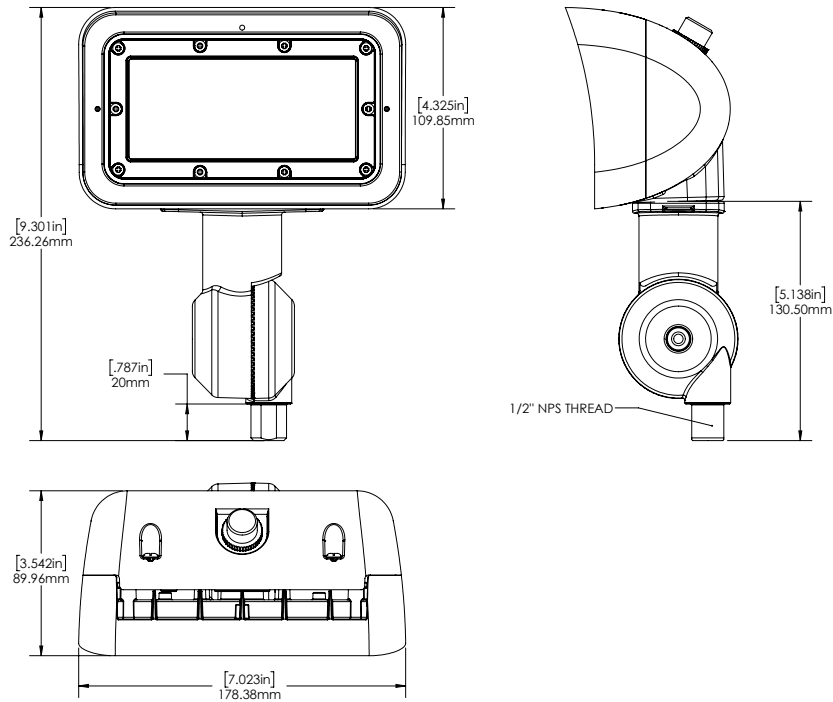
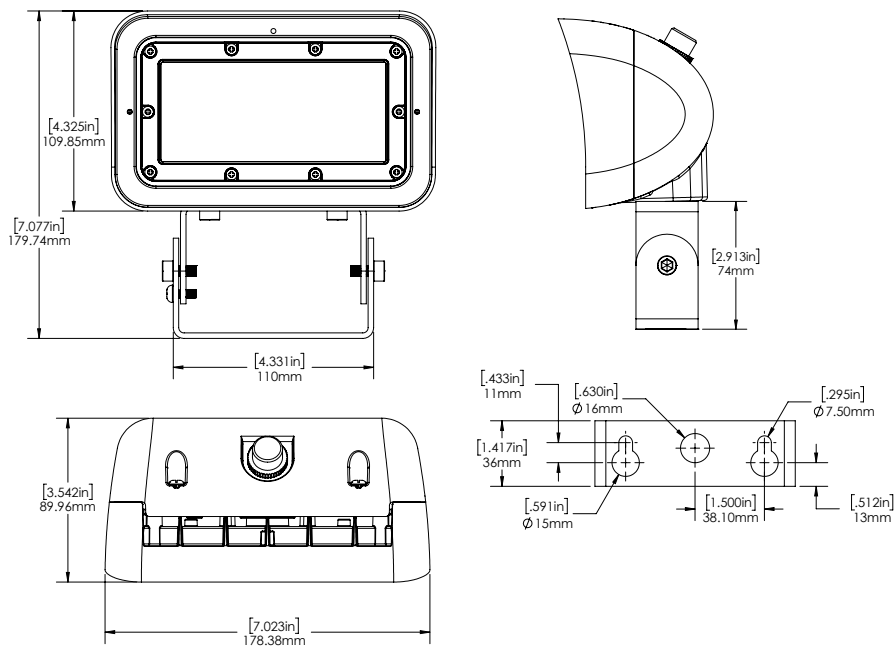




## DIMENSIONS:

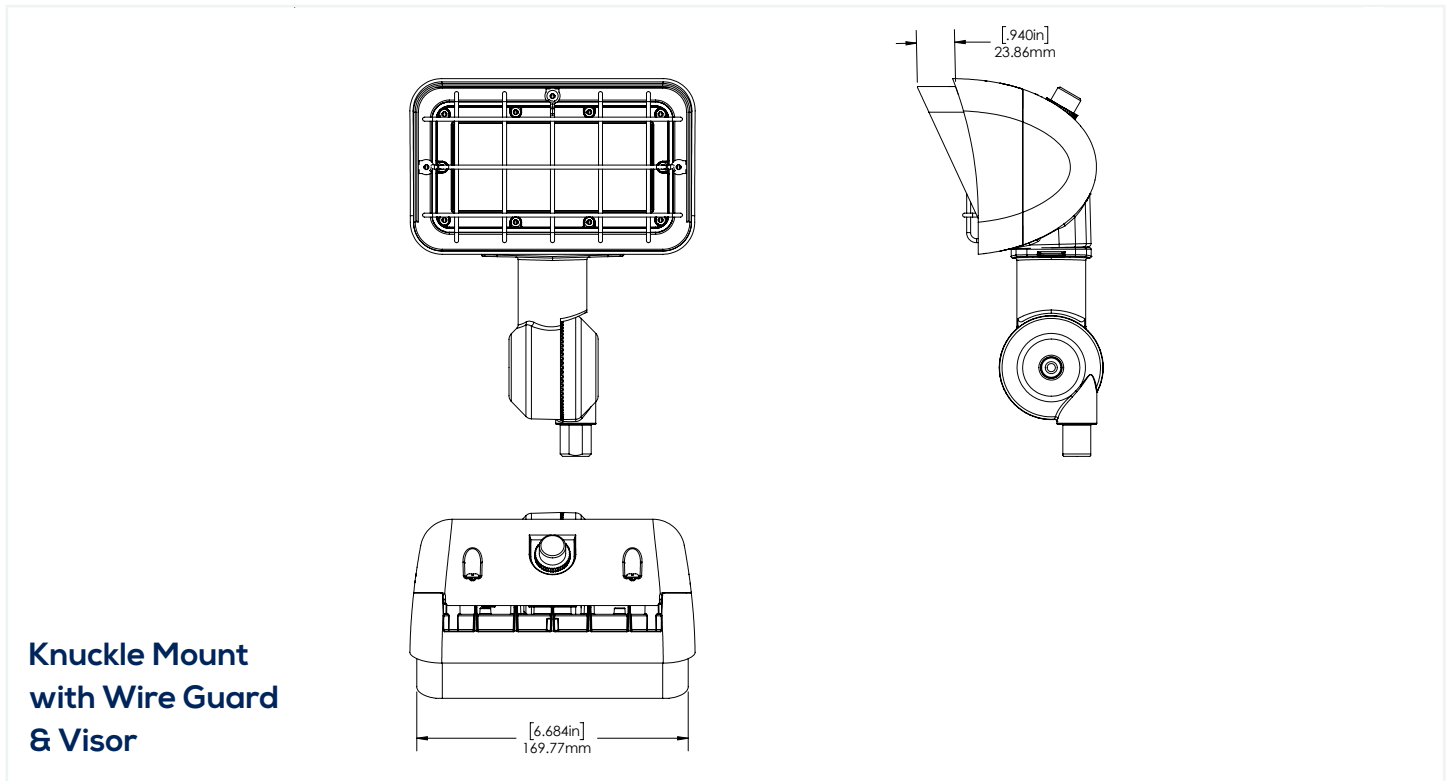


**Knuckle Mount**

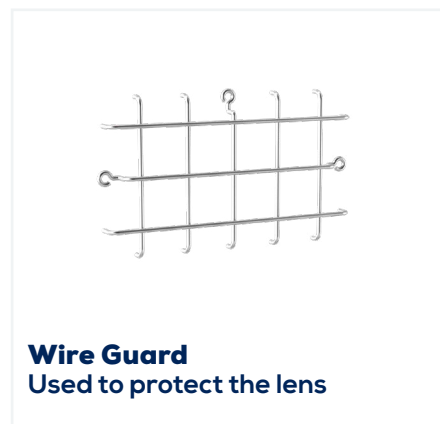


**Yoke Mount**

## DIMENSIONS:



## ACCESSORIES:



**Note:** Hardware for installation included in package  
Visor and wire guard can be used together

**AMPERAGE DRAW & SURGE PROTECTION**

	CURRENT (A)				INTERNAL SURGE PROTECTION (kV)
	120V	208V	240V	277V	120-277V
RFL1V-LED20	0.18A	0.11A	0.09A	0.08A	4kV

**TM-21 ESTIMATED LUMEN MAINTENANCE**

	50,000 Hours	75,000 Hours	100,000 Hours
RFL1V-LED20	87.2%	81.2%	75.6%

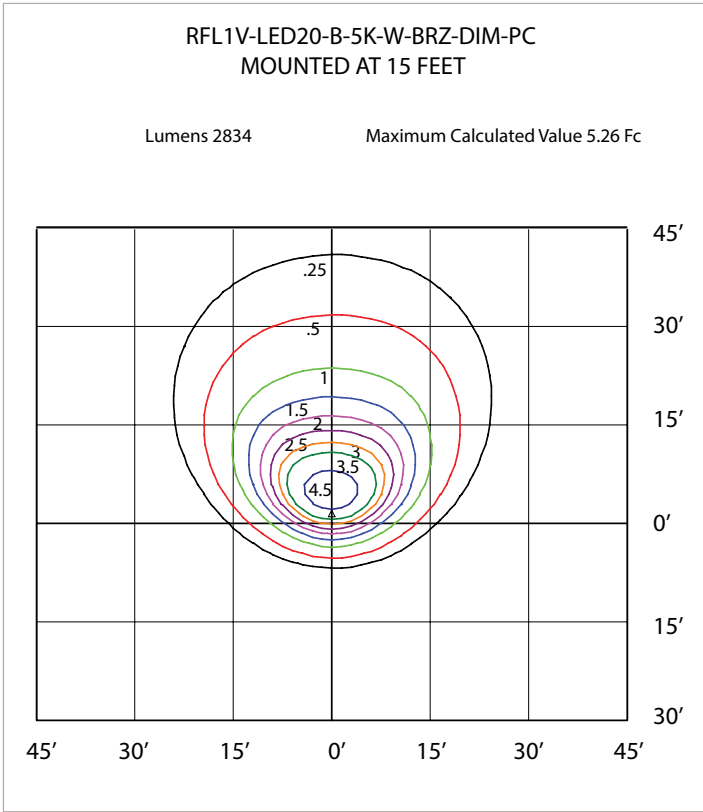
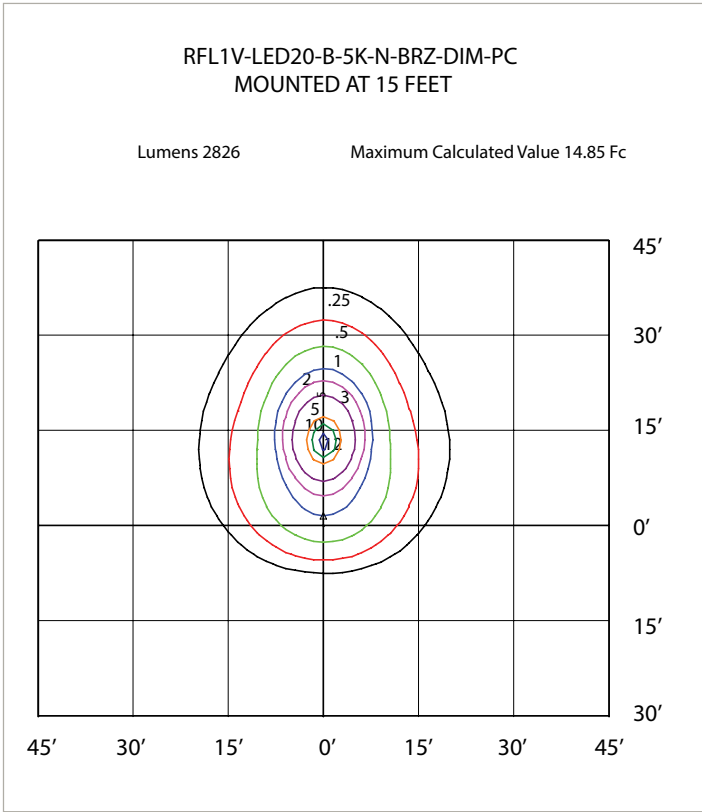
Life hours are derived from IESNA LM-80 testing report and projected per IESNA TM-21 calculations.

**EPA (ft<sup>2</sup>)**

	0° Tilt	45° Tilt	90° Tilt
RFL1V-LED20	0.224	0.303	0.34

**WEIGHTS (lbs)**

RFL1V-LED20	3.12
-------------	------



## ORDERING GUIDE:



Fixture	Wattage	Voltage	Colour Temp.	Optics	Finish	Dimming	Controls
	LED20	B - 120-277V	3K - 3000K 4K - 4000K 5K - 5000K*	N - 4x4 W - 6x6*	BRZ - Bronze* CC - Custom Colour	DIM - 0-10V Dimming	PC - Photocell

\* Standard Configuration

**Note:** Fixture comes with photocontrol covered with cap.  
Remove cap to activate photocell.

### Ordering Guide For Accessories

Check the items that you wish to order:

- 002478 RFL1V/RFL2V/RFL3V KNUCKLE MOUNT BRZ
- 002480 RFL1V/RFL2V/RFL3V YOKE MOUNT BRZ
- 002349 RFL1V WIRE GUARD
- 002353 RFL1V VISOR BRZ