



SMT6H-LED

Summit LED Bollard Series



SMT6H12-LED10
12"



SMT6H24-LED20
24"



SMT6H36-LED24
36"

IDEAL APPLICATIONS

- Pathways
- Parkettes
- Townhouses
- Landscape Applications
- Condos

DESCRIPTION:

The Summit Series is a dark sky friendly bollard with no uplight, DLC Luna listed for the 2700K CCT model. Also available in 4000K and 5000K CCT, this bollard series has high performance optics designed to fully eliminate glare for pedestrians and drivers passing by.

FEATURES:

- Aesthetic, slim, modern fixture design.
- 3 heights to choose from: 12", 24", 36".
- Full cut-off design eliminates uplight and light pollution. Optics are hidden from line of sight limiting glare while creating a comfortable experience for passersby.
- Innovative optic design creates even and uniform light distribution across the surface. High performance optics allow for more spacing between bollards reducing the number fixtures needed in an install.
- 2700K, 4000K, 5000K colour temperature options.
- Custom paint finishes available.
- Extruded aluminum shaft, cast aluminum head and base with polyester powder coat paint finish
- IP66 rated - Designed to fully protect from dust ingress and powerful water jets as per international standard.
- IK10 rated - Designed to protect against vandalism and mechanical impacts as per IEC 62262 standard.
- Twist Lock mechanism with stainless set screws for easy installation.
- Set of three zinc plated 8" long 3/8-16" anchor bolt with nuts and washers.

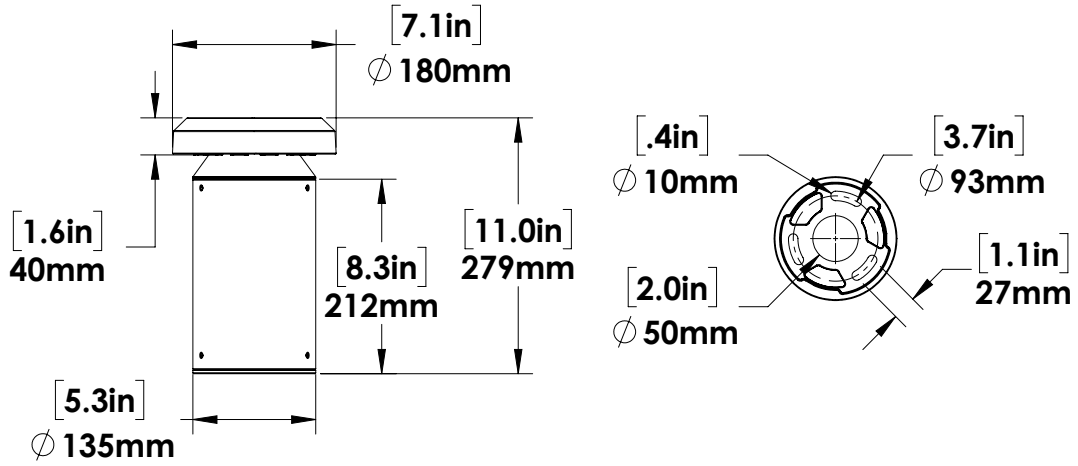
| SPECIFICATIONS | SMT6H12-LED10 | SMT6H24-LED20 | SMT6H36-LED24 |
|-------------------|---|---------------|---------------|
| Watts | 8 W | 20 W | 25 W |
| Lumens | 840 Lm | 2100 Lm | 2625 Lm |
| Efficacy | 105 Lm/W | | |
| Voltage | 120-277V*, 347V | | |
| CCT | 2700K, 4000K*, 5000K | | |
| Dimming | 1-10V Dimming | | |
| THD | <20% | | |
| Power Factor | 0.95 | 0.98 | 0.95 |
| Beam Distribution | Type V (360 degree) | | |
| LED Life (L70) | ≥ 50,000 hours | | |
| Housing Finish | Bronze*, Custom Colours | | |
| Housing Details | Extruded aluminum shaft, cast aluminum head and base. | | |
| Surge Protection | 6kV (inbuilt surge suppressor) | | |
| Height | 12' | 24" | 36" |
| Shaft Diameter | 5.3" | | |
| Operating Temp. | -40°C to +40°C (-40°F to 104°F) | | |
| Certifications | ETL, Wet Location, IP66, IK10, DLC LUNA, DLC 5.1 | | |

*Standard Configuration

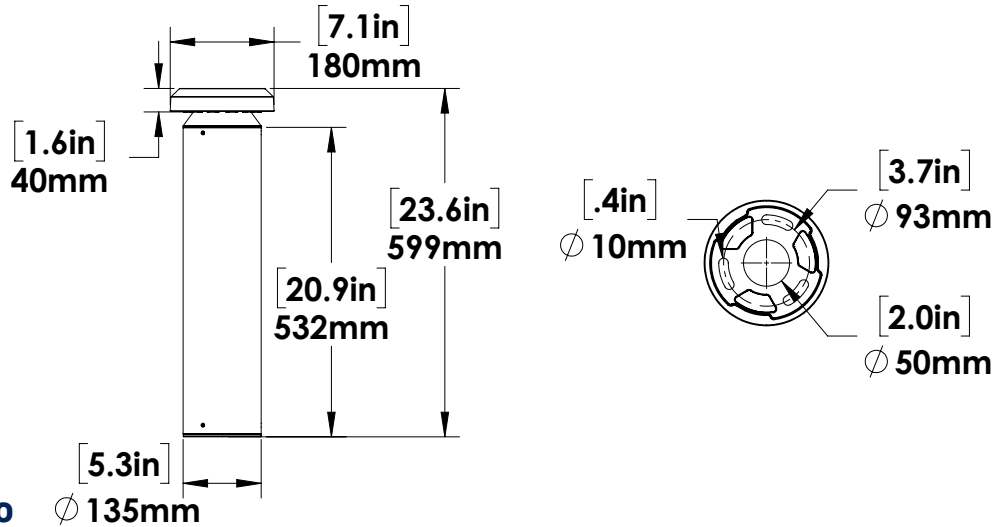


2700K only

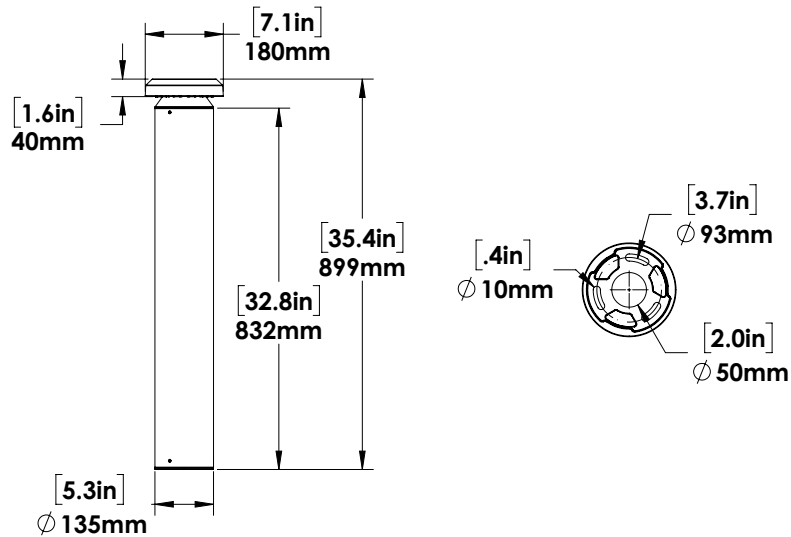
DIMENSIONS:



SMT6H12-LED10



SMT6H24-LED20

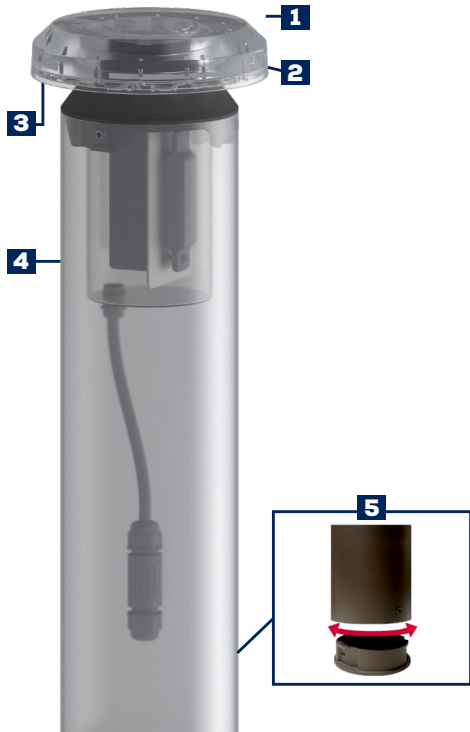


SMT6H36-LED24

AMPERAGE DRAW & SURGE PROTECTION

| | CURRENT (A) | | | | | SURGE PROTECTION (kV) | |
|---------------|-------------|-------|-------|-------|-------|-----------------------|------|
| | 120V | 208V | 240V | 277V | 347V | 120-277V | 347V |
| SMT6H12-LED10 | 0.09A | 0.06A | 0.05A | 0.04A | 0.04A | 6kV | |
| SMT6H24-LED20 | 0.18A | 0.11A | 0.09A | 0.08A | 0.07A | | |
| SMT6H36-LED24 | 0.21A | 0.13A | 0.11A | 0.1A | 0.08A | | |

SUMMIT LED BOLLARD



- 1. Full Cut-off Shielded Design**

 - Zero uplight
 - Dark Sky Friendly
- 2. Optics**

 - Designed for wide spread illumination and glare control.
 - Hidden from line of sight.

Anti Glare Cone Design

 - Eliminates glare above light aperture.
- 3. LED Module**

 - Options for 2700K, 4000K, 5000K CCT
- 4. Bollard Construction**

 - Die Cast Head with Internal heat sink, head has twist lock mechanism secured in place with stainless steel set screws. Extrude aluminum shaft. Both the head and shaft have a polyester powder coat paint finish.
- 5. Twist Lock Mechanism**

 - Base plate, shaft and head easily twist lock into place.

ORDERING GUIDE:

| | | | | | T5 | | |
|---------|---------|---------------|--------------|----------------|--------------------|---------------------|-----|
| | | | | | | | DIM |
| Fixture | Wattage | Voltage | Colour Temp. | Optics | Finish | Dimming | |
| SMT6H12 | LED10 | B - 120-277V* | 2.7K - 2700K | T5-360 Degrees | BRZ - Bronze* | DIM - 1-10V Dimming | |
| SMT6H24 | LED20 | C - 347V | 4K - 4000K* | | CC - Custom Colour | | |
| SMT6H36 | LED24 | | 5K - 5000K | | | | |

*Standard Configuration

Note:

- 3/8-16" anchor bolt set and IP66 cable connector included with product.
- Anchor Bolt Template pattern can be accessed online under Resources.

| STOCK CODE | DESCRIPTION |
|------------|-------------------------------|
| 081418 | SMT6H12-LED10-B-4K-T5-BRZ-DIM |
| 081467 | SMT6H24-LED20-B-4K-T5-BRZ-DIM |
| 081466 | SMT6H36-LED24-B-4K-T5-BRZ-DIM |