



FL3V-LED61

120 Volt Economy LED Flood Light



Yoke Mount

IDEAL APPLICATIONS

- ✓ Patios
- ✓ Landscapes
- ✓ Facades

DESCRIPTION:

FLV-LED Series are economy flood lights in 120 Volts ideal for lighting patios, landscapes and other floodlighting applications.

FEATURES:

- Die cast aluminum housing.
- Semi frosted polycarbonate lens.
- Wide beam optics 7H X 7V beam standard.
- Integral 2KV surge protection built into the driver.
- Replaces 1000 watt Quartz.
- Available as a knuckle or yoke mount.
- Bronze finish.

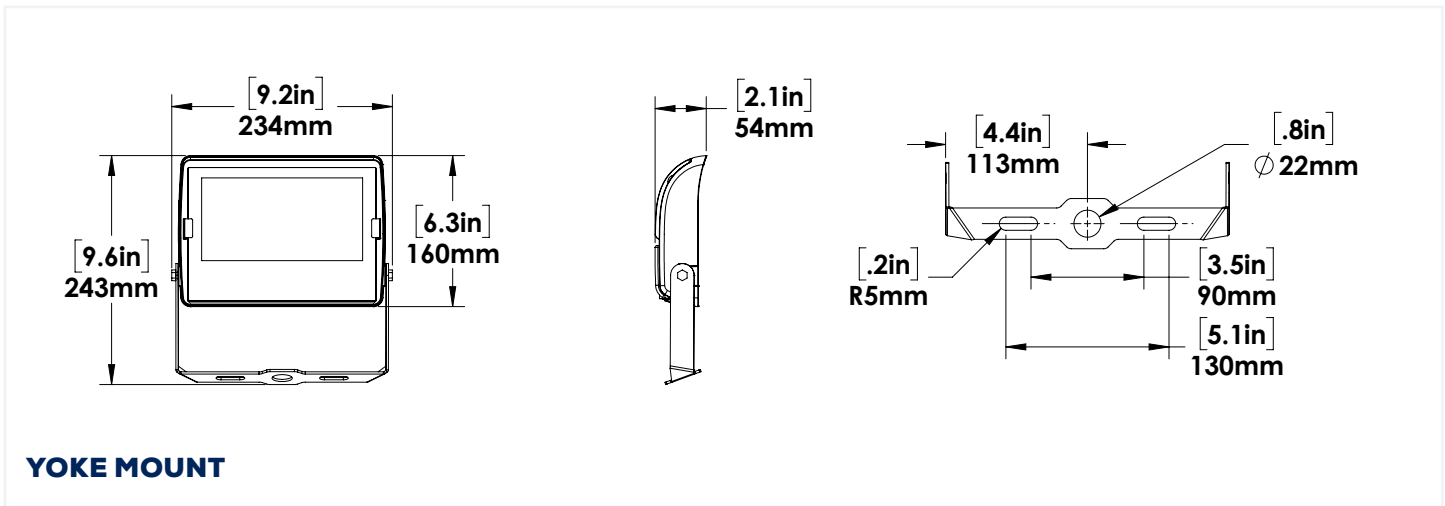
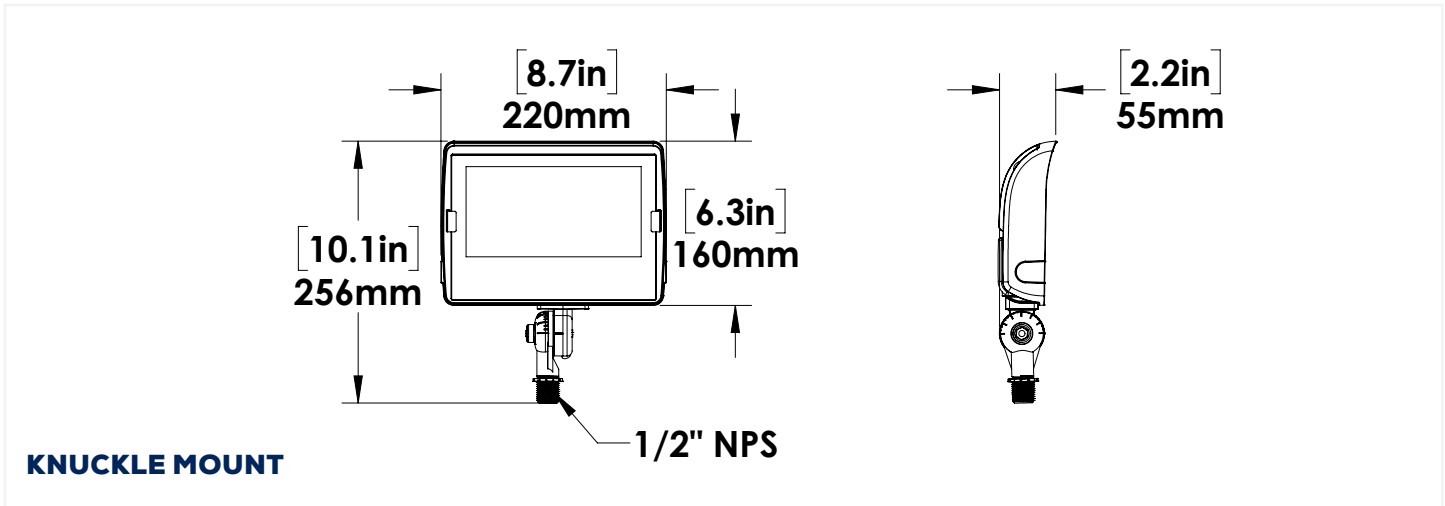
SPECIFICATIONS

FL3V-LED61

Tested Wattage	59.78W
Tested Lumens	6139.5 Lm
Efficacy	102.69 Lm/W
Voltage	120V
CCT	4000K
CRI	73
THD (%)	13.9
Power Factor	0.991
Beam Distribution	NEMA 7H x 7V
LED Life (L78)	100,000 hours
Housing Finish	Bronze
Housing Details	Die Cast Aluminum
Lens Details	Semi Frosted Polycarbonate
Mounting	Knuckle, Yoke
Cable Length	Yoke - 0.5m of Cabtire Cable (SJTW 3 x 18AWG) Knuckle - 0.15m of Supply Wires
Operating Temp.	-40°C to +40°C (-40°F to 104°F)
Certifications	UL, Wet Location, IP65, 3 Year Warranty



DIMENSIONS:



AMPERAGE DRAW & SURGE PROTECTION

	CURRENT (A)	SURGE PROTECTION (kV)
	120V	120V
FL3V-LED	0.53A	2kV

TM-21 ESTIMATED LUMEN MAINTENANCE

	50,000 Hours	75,000 Hours	100,000 Hours
FL3V-LED	88.6%	83.2%	78.1%

EPA (ft²)

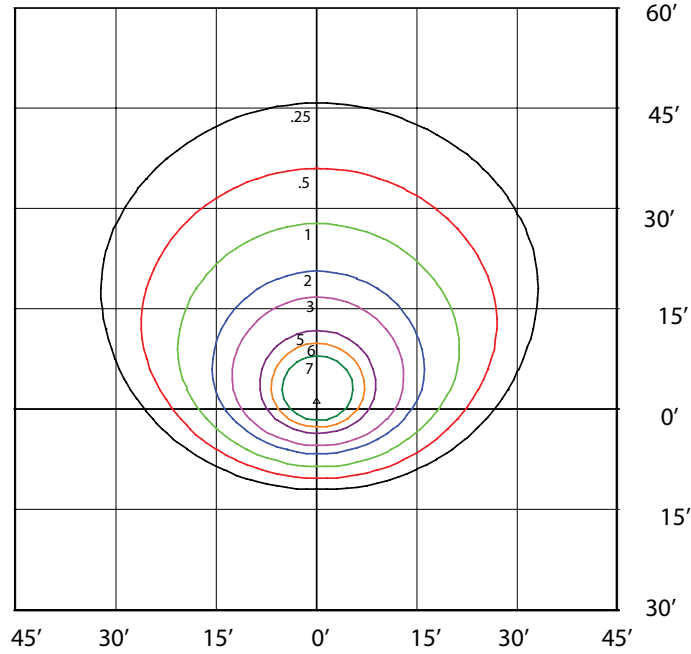
	0° Tilt	45° Tilt	90° Tilt
FL3V-LED	0.21	0.37	0.53

WEIGHT (lbs)

FL3V-LED	2.5
----------	-----

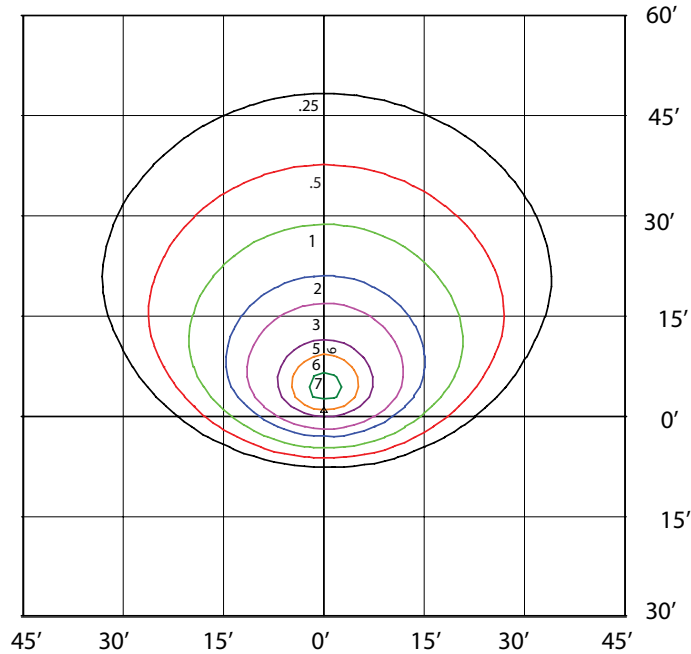
FL3V-LED61-A-4K-BRZ-KN
MOUNTED AT 15 FEET 30 DEGREE TILT

Total Lumens = 35705 Mounting Height = 15 Ft Maximum Calculated Value = 8.85 Fc



FL3V-LED61-A-4K-BRZ-KN
MOUNTED AT 15 FEET 45 DEGREE TILT

Total Lumens = 5705 Mounting Height = 15 Ft Maximum Calculated Value = 7.39 Fc



ORDERING GUIDE:

FL3V	LED61	A	4K	BRZ	
Fixture	Wattage	Voltage	Colour Temp.	Finish	Mounting
	LED61	A - 120V	4K - 4000K	BRZ - Bronze	KN - Knuckle YK - Yoke

STOCK CODE	DESCRIPTION
083247	FL3V-LED61-A-4K-BRZ-KN
083241	FL3V-LED61-A-4K-BRZ-YK