



# AL3-LED

## LED Area Light



### IDEAL APPLICATIONS

- Roadways
- Parking Lots
- Perimeter Lighting

### DESCRIPTION:

The AL-LED fixtures are high efficiency area lights with multiple beam patterns to suit a variety of applications. Intelligently designed, this series of fixtures provides superior lighting performance and significant energy savings over traditional fixtures.

### FEATURES:

#### Construction

- Precision die cast aluminum housing with clear polycarbonate lens. The fixture offers superior heat sinking with air-flow fins on the top.

#### Optics

- Unit has high efficiency injection molded optics that have an efficacy of 120lm/W. The LEDs have a color temperature option of 3000K, 4000K, 5000K. The CRI is greater than 70 and the operating temperature range is 40°C - to +40°C.

#### Beam Distribution

- Available in T2, T3, T4 and T5 beam patterns for a wide range of applications.

#### Mounting

- The AL series can be arm mounted for round or square poles. Wall bracket and slipfitter mount is also available. Mounting options sold separately.

#### Electrical

- The standard unit has a high efficiency driver that operates at 120 - 277V. 347V also available. 10kV Surge protector included in all fixtures

#### Finish

- Standard finish is Bronze. Please consult factory for custom colour.

#### Options

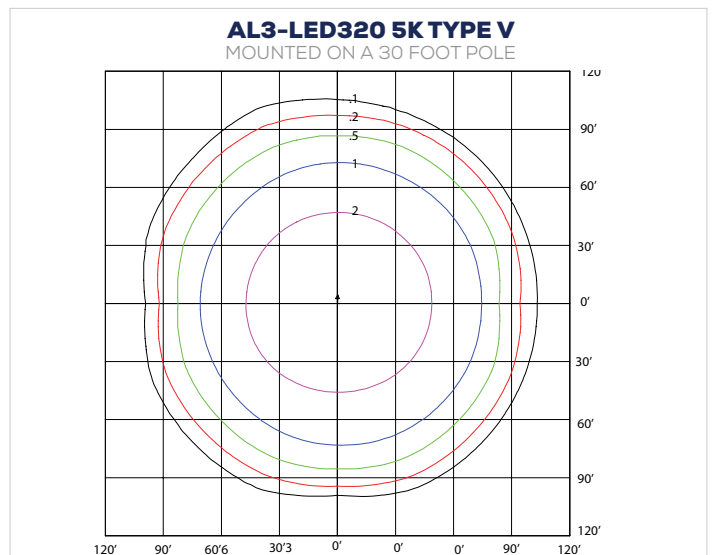
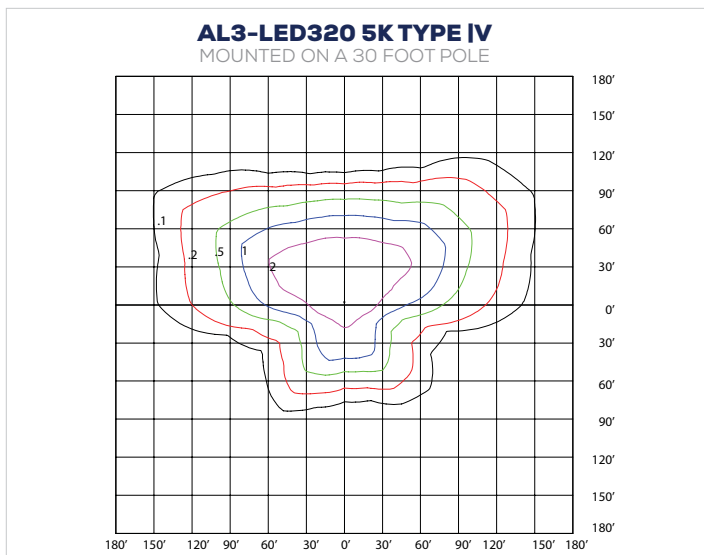
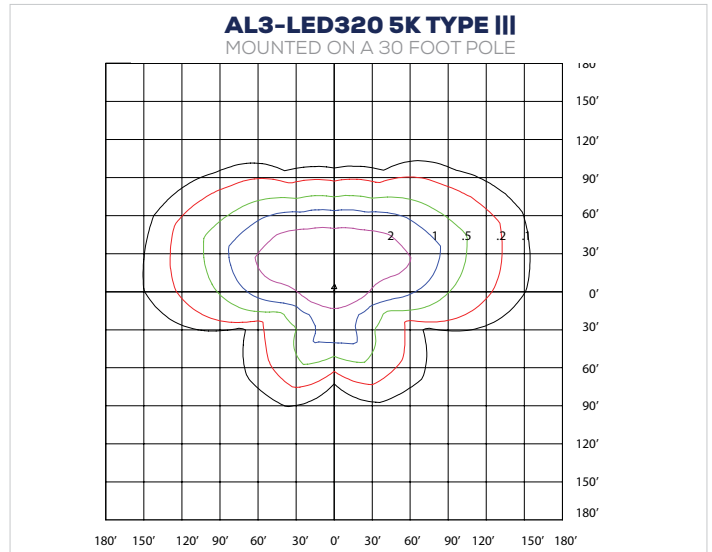
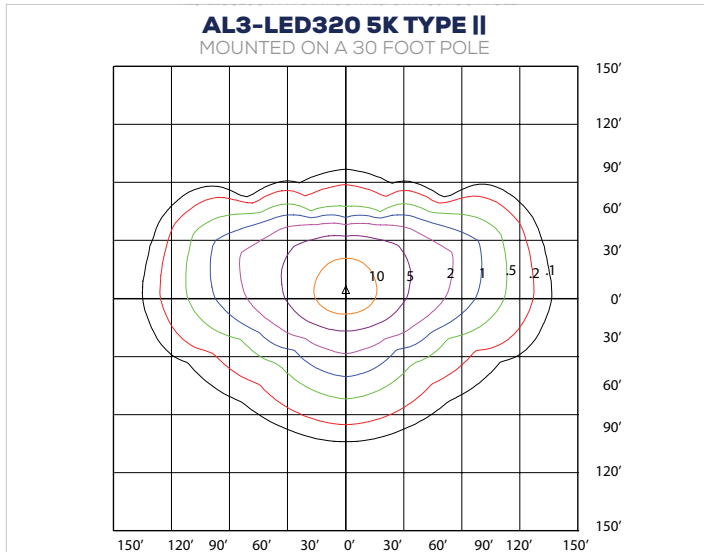
- Factory installed photocell option available.
- Dimming Motion Sensor

SPECIFICATIONS	AL3-LED320	AL3-LED400
Watts	313W	380.1W
Lumens	38593lm	46689lm
Efficacy	123.3 lm/W	123.58lm/W
Voltage	120-277V, 347V	
Colour Temp	3000K, 4000K, 5000K	
CRI	72.9	71.3
Dimming	0-10V Dim to Off (5%-100%)	
THD	8.15%	6.45%
PF	0.99	0.94
Beam Distribution	T2,T3,T4,T5	
LED Life (L80)	>72,000 hours	
Surge Protector	4kV (driver surge protection) and 10kV additional surge suppression	
Housing Finish	Bronze, Custom Colours	
Housing Details	Die Cast Aluminum	
Mounting (Sold Separately)	Slip Fitter, Wall mount Bracket, Arm for Round pole, Arm for Square pole	
Operating Temp.	-40°C to +40°C (-40°F to 104°F)	
Factory Installed Options	Photocontrol, Motion Sensor	
Certifications	Wet Locations,UL, DLC	

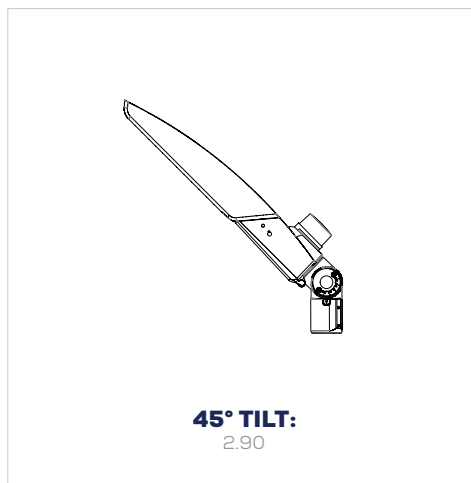
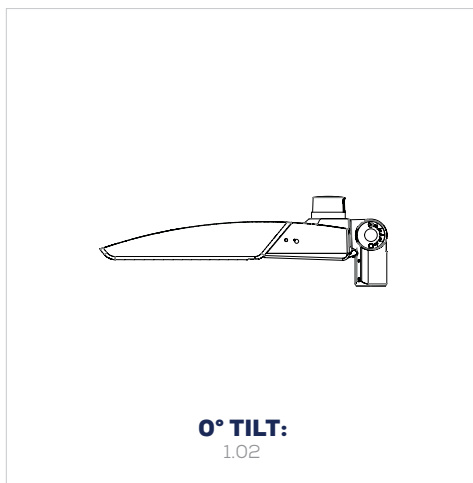
Specs Shown are for 5000K, 120V  
Note: 3000K is not DLC listed



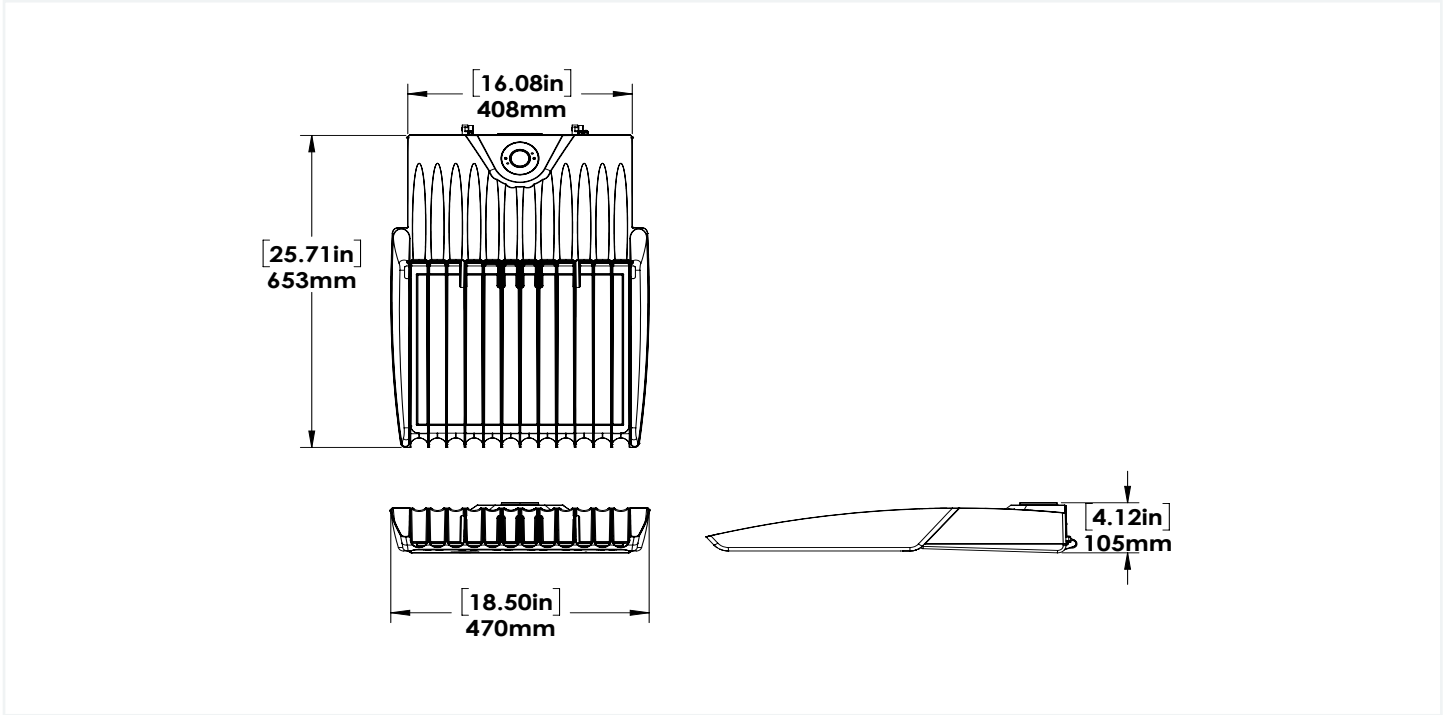
**CANDELA PLOTS**



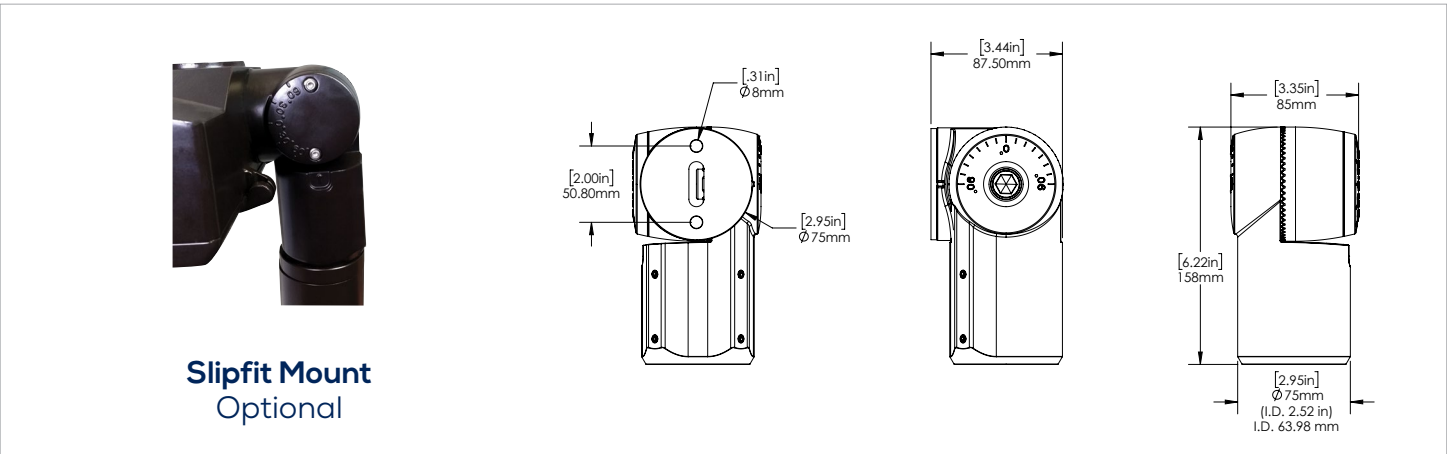
**EPA RATING**



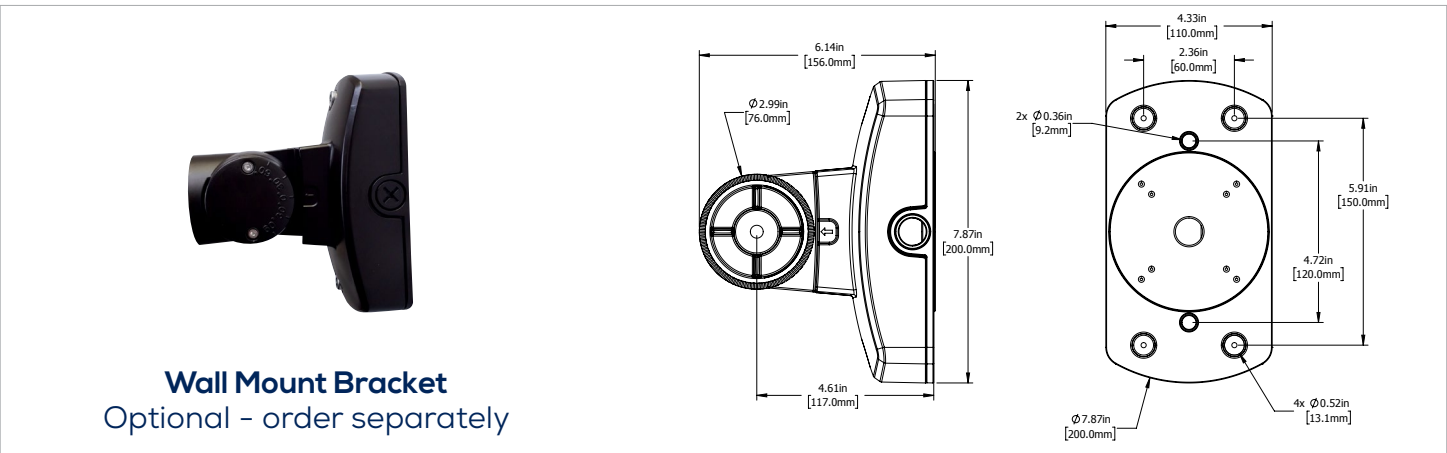
**DIMENSIONS:**



**MOUNTING OPTIONS:**

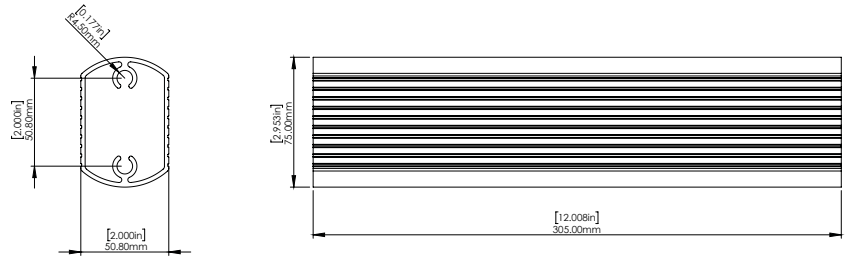


**Slipfit Mount**  
Optional

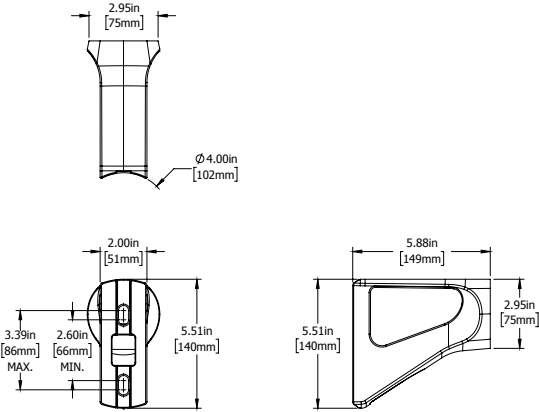


**Wall Mount Bracket**  
Optional - order separately

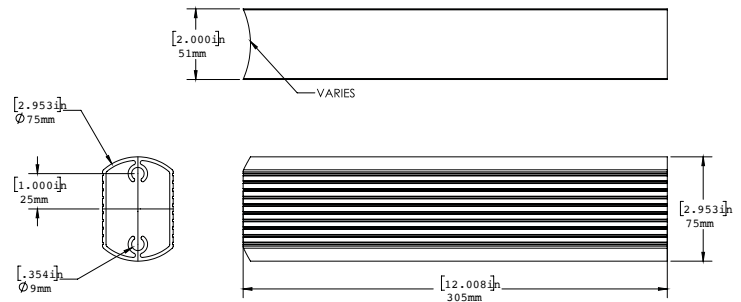
**MOUNTING OPTIONS**



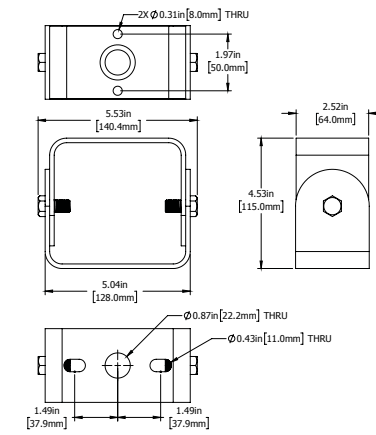
**12" Straight Arm for Square Pole**  
Optional - order separately  
(6" Straight arm also available)



**6" Die Cast Arm for 4" Round Pole**  
Optional - order separately



**Round Pole Mount**  
Optional - order separately



**Yoke**  
Optional - Factory Installed

# DMS

360° Passive Infra Red  
Dimming Motion Sensor



## APPLICATIONS

Outdoor or indoor applications, ideal for use with Highbay fixtures (HB-LED Series), Area Lights for poles <40' high (AL-LED Series) or Linear vapourproof with junction box accessory (LFW-LED Series).

## DESCRIPTION

The DMS mounts in an outdoor/indoor lighting fixture and provides multi-level control based on motion and/or daylight contribution. It controls 0-10 VDC LED drivers or dimming ballasts, and is rated for wet and cold locations. All control parameters are adjustable via a wireless configuration tool capable of storing and transmitting sensor profiles.

### OPERATION

Typically, the sensor ramps lighting On to the selected High mode level when motion is detected and the ambient light level is below the hold off setpoint. After the sensor stops detecting movement and the time delay elapses, lights fade to the Low mode level. If there is no motion during the subsequent cut off time delay, the lights will turn Off. For dusk to dawn control, the integral photocell can switch the lights On or Off based on the ambient light level so that lighting remains on overnight even without motion detection.

### WIRELESS REMOTE CONTROL

Initial setup and subsequent sensor adjustments are made using a remote control. This remote control enables adjustment of parameters and is also used to initiate automatic calibration of the DMS ambient light level setpoint. The setpoint is used to hold the controlled lighting off or at a low level when there is sufficient daylight. The remote control stores up to five sensor parameter profiles to speed the configuration of multiple sensors.

## FEATURES

- Provides line voltage On/Off switching and 0-1 0VDC dimming control
- Works with ballasts or LED drivers
- High and low modes fully adjustable from 0 to 1 0V
- Time delay from 5 to 30 minutes
- Optional cut off delay
- Adjustable ramp up and fade down times
- CLASS 2 for whole sensor
- Optional day lighting setpoints feature automatic calibration, and permit manual adjustment.
- Polycarbonate, flame retardant, UV resistant, impact resistant.
- UL773A and FCC.

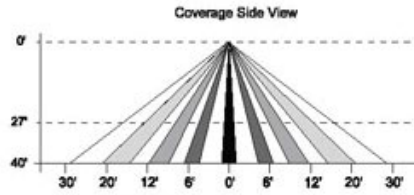
## SPECIFICATIONS\*

PowerSupply	120-277VAC
Maximum Load at -40°C - 70°C	Resistive/Tungsten - 600W@120V Ballast Electronic (LED) - 800/1200VA @120/277V
Dim Control Output	0-10V max. 25mA sinking current
Operating Temperature	-10°C to +40°C
Humidity	Max. 95% RH
Detection Radius/Angle	Max Meters/360° <b>Lorem</b>
Mounting Height	Max 40ft
Remote Range	50ft. (15m) indoor, no backlight
Certification	IP66, cULus
Warranty	5 years

\*See DMS specification sheet for more details.



**DMS - DIMMABLE MOTION SENSOR**



- 0 – 10VDC dimming control
- Multi level dimming from 10%-30%
- Time delay can be set from 5 – 30 minutes
- 360° Range - 40 ft high x 30 ft across

**SENSOR DEFAULTS SETTING**

The sensor has the following default setting:

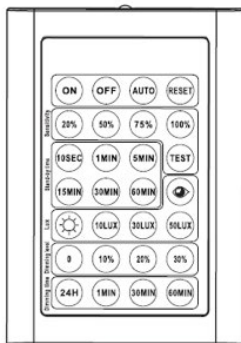
- S       ensitivity – 100%
- S       tandby Time – 5 minutes
- D       aylight setting – ☀️
- D       imming level – 20%
- D       imming time – 60 mins

**WHERE:**

1. Sensitivity is the responsiveness to detect movement.
2. Standby time denotes how long the lights remain at 100% lux levels once the sensor is activated
3. Daylight sensor setting sets the natural light levels needed for the sensor to shut off the fixture. The default setting deactivates the daylight sensor completely.
4. Dimming level indicates the level at which light drops after no motion has been detected during the standby time.
5. Dimming time is how long the light will remain at the low dim level on without activity before it turns off.

Sensor is fully adjustable. For custom settings, order Sensor Remote separately.

**PROGRAMMING**



	<p>The light either permanently turns ON / OFF. Sensor is disabled.</p>		<p>Long press or 3-4sf of the sensor to go into test mode which allows the user to test the motion sensor sensitivity in the daylight by disabling the dimming time period and lux level.</p>
	<p>Turnst he fixture ON with the last saved settings.</p>		<p>Pressing this button will resett he light to default setting. 1. 100% Sensors ensitivity 2. 5 min stand-by time 3. Lux level at daylight threshold 4. 20% dimming level 5. 60 min dimming period</p>
	<p>Sett he sensitivity and range oft he motion sensor.</p>		<p>Sett he hold -t ime. W hen sensor detects motion, the light stays on at the maximum light level fort he hold-time period chosen.</p>
	<p>When pressed, sensor will measuret he Lux level oft he surrounding area and save it. The light will adjust its dimming level based ont he changes occurring with the surrounding ambient light</p>		<p>Sett he Lux level fort he light to operate. T he light will turn on aft er the surrounding light level is less than the light level set on the sensor except the daylight option wh ich disables the Lux settings.</p>
	<p>Sett he Stand-by dimming level.</p>		<p>Sett he dimming time period. (If set at 24H, t he light stays ON). W hen sensor detects no motion it will stay ON at the dimming level set, f or the chosent ime.</p>

## ORDERING GUIDE:

AL3						DIM		
Fixture	Wattage	Voltage	Colour Temp.	Beam	Finish	Dimming	Controls	Mounting
LED320		B - 120-277V*	5K - 5000K*	T2 - Type 2	BRZ - Bronze*	DIM - 0-10V	BLANK	BLANK
LED400		C - 347V	4K - 4000K	T3 - Type 3	CC - Custom Colour	Dimming	PC- Photocell	SF - Slipfitter
			3K - 3000K	T4 - Type 4			DMS- Dimming Motion Sensor	YK - Yoke
				T5 - Type 5				

\* Standard configuration