



RH2S-LED

LED Round Highbay



IDEAL APPLICATIONS

- ✓ Warehouses
- ✓ Factories
- ✓ Gyms
- ✓ Industrial Applications
- ✓ Food and Beverage Processing
- ✓ Commercial Kitchens

DESCRIPTION:

The RHS-LED Series of highbay luminaires are ruggedly designed, easy to install, and deliver a high lumen output ideal for illuminating warehouses, manufacturing facilities, recreational facilities, and gymnasiums. This fixture series offers the most current, easy to use, affordable control options adding greater functionality to your installation. NEMA4X and NSF certified.

FEATURES:

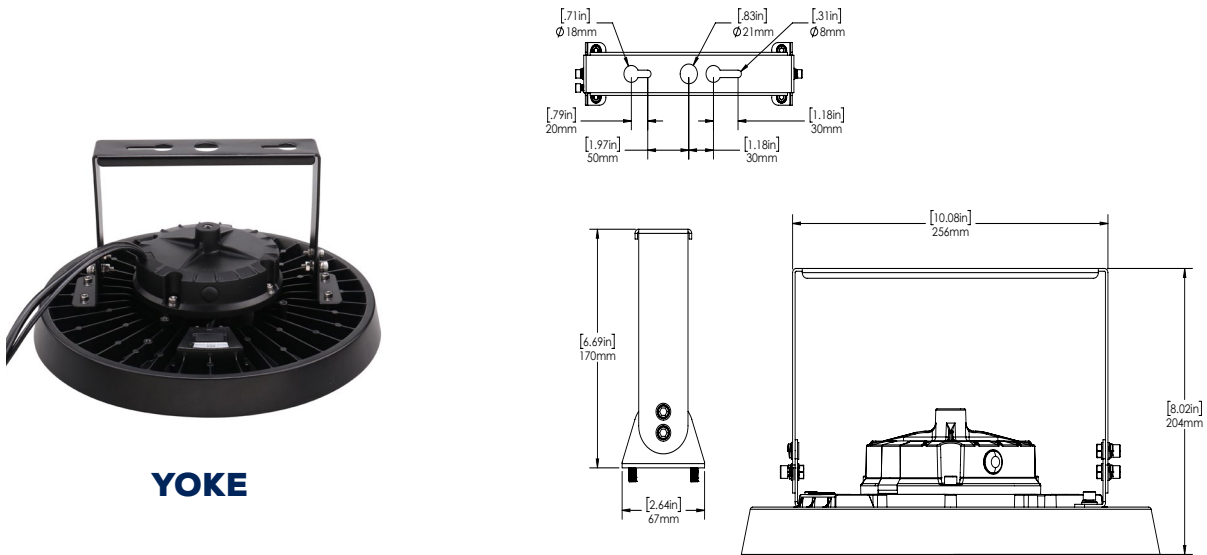
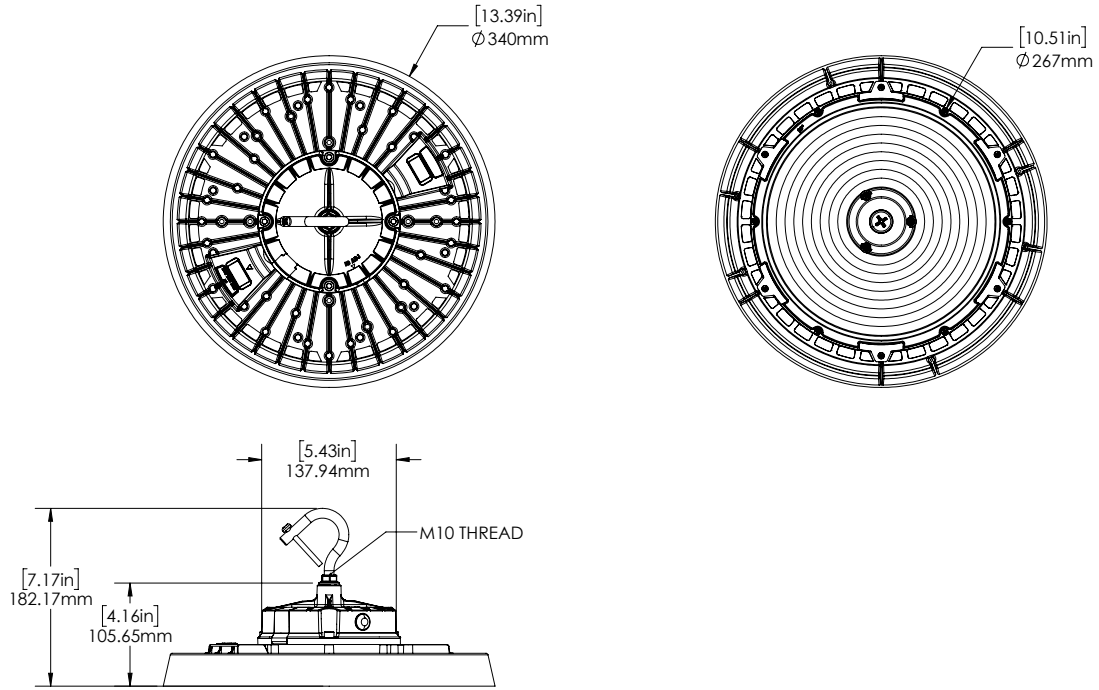
- Ruggedly designed with die cast aluminum body and polycarbonate lens. NEMA4X and NSF certified.
- Colour Selectable fixture allows Installer to choose between 3500K/4000K/5000K at the time of installation.
- The Lumen adjustable fixture allows Installer to select between 3 wattage settings:
RH2S-LED200A150 - 200W/180W/150W
RH2S-LED240A200 - 240W/220W/200W
- Easy to install with mounting hook and 2 meter cord for line voltage and 0.5 meter cord for 0-10V dimming.
- At each wattage setting, the brightness can be adjusted using the DC dimmer and remote control (sold separately).
- 12VDC Auxiliary available from fixture for lighting controls.
- Fixture can be suspended, pendant or yoke mounted. (Yoke sold as a separate accessory)
- Optional dual-functionality motion sensor/dimmer with easy plug-and-play install with no wiring needed. (More details on page 10)
- Optional smart lighting control available: Lutron Athena Wireless smart control allows zone and control changes digitally and wirelessly.

SPECIFICATIONS	RH2S-LED200A150	RH2S-LED240A200
Watts (Maximum)	202.5 W	236.8 W
Lumens (Maximum)	29933 Lm	34833 Lm
Efficacy (Lm/W)	147.8	147.1
Replaces Up To	450MH	750MH
Colour Temp	VK - Colour Selectable (3500K/4000K/5000K)	
Voltage	120-347V	
CRI	84	83
Dimming	0-10V Dim to Off	
THD	2.43%	3.57%
PF	0.999	
Beam Distribution	90 Degrees	
LED Life (L78)	100,000 Hours	
Housing Finish	Matte Black	
Housing Details	Die Cast Aluminum	
Lens Details	Clear Polycarbonate Lens	
Mounting	Suspended*, Pendant, Yoke	
Cable Length	Input Power: 2m Cab Tire Cable (SJTW 3x18 AWG) Dimming and 12VDC AUX- 0.5m Cab Tire Cable (3x22 AWG)	
Operating Temp.	Without Motion Sensor: -40° to 50°C With Motion Sensor: -30°C to 50°C With Battery Backup: 0°C to 50°C	
Options Sold Separately	Yoke, Wire Guard, Polycarbonate/Aluminum Reflectors and Cover, Twistlock Motion Sensor/Wireless Dimmer and Remote Control, Emergency Battery Back-up, Junction Box Pendant Mount Kit, Adaptors for 1/2" NPT and 3/4" NPT Thread, Lutron Athena Wireless Lighting Control	
Certifications	cULus, Wet Location, IP65, DLC Premium, NEMA4X, NSF, 3G Vibration Tested, 5 Year Warranty	

Note: Specs shown are for 120V/4000K
*Standard Configuration



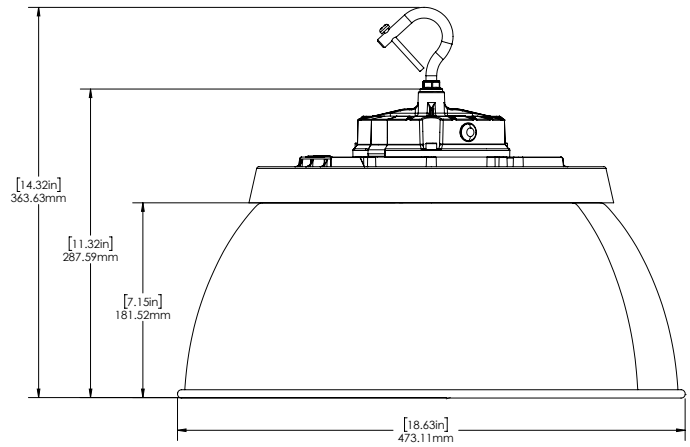
DIMENSIONS:



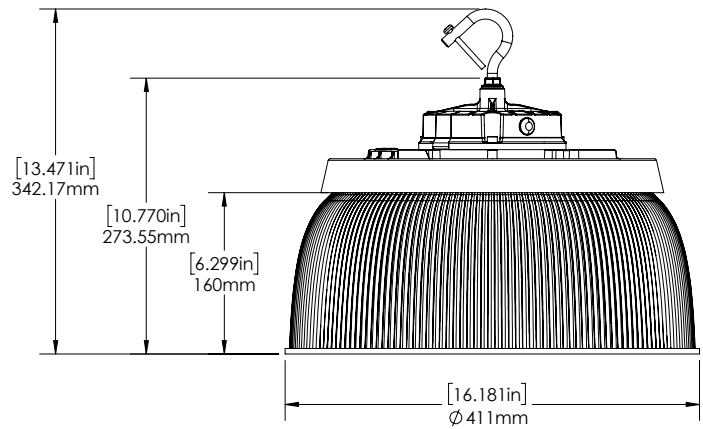
DIMENSIONS:



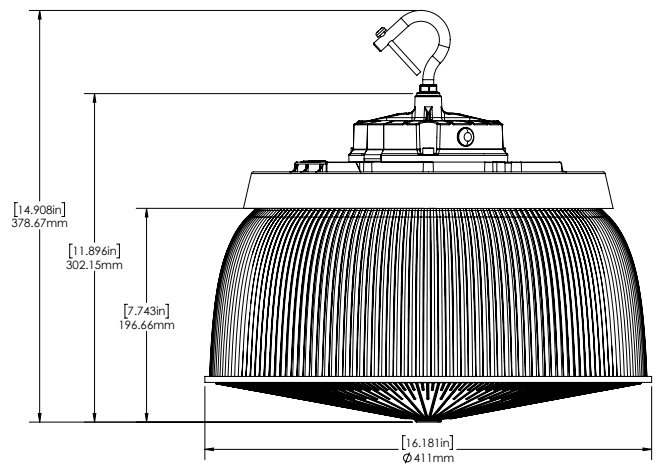
ALUMINUM REFLECTOR



PC REFLECTOR (CLEAR PRISMATIC)



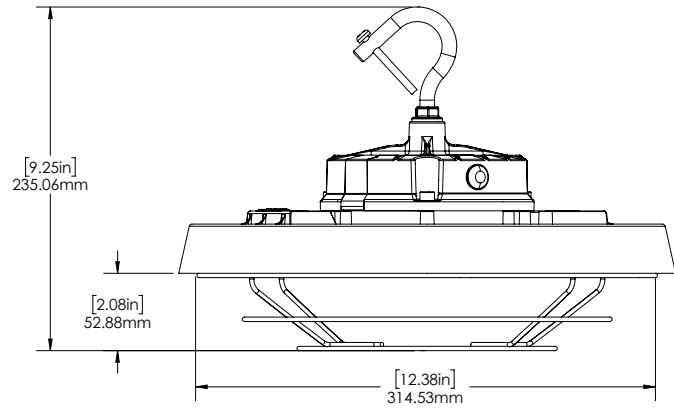
PC REFLECTOR COVER



DIMENSIONS:

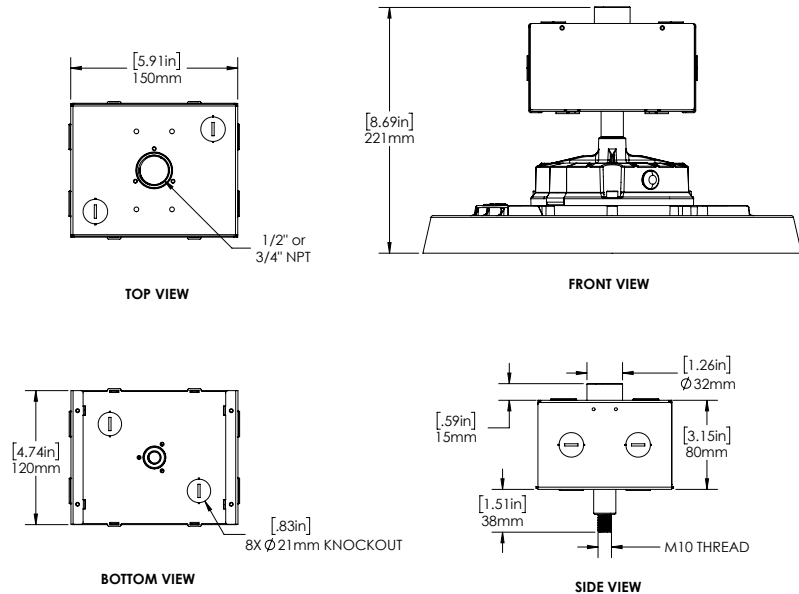


WIRE GUARD



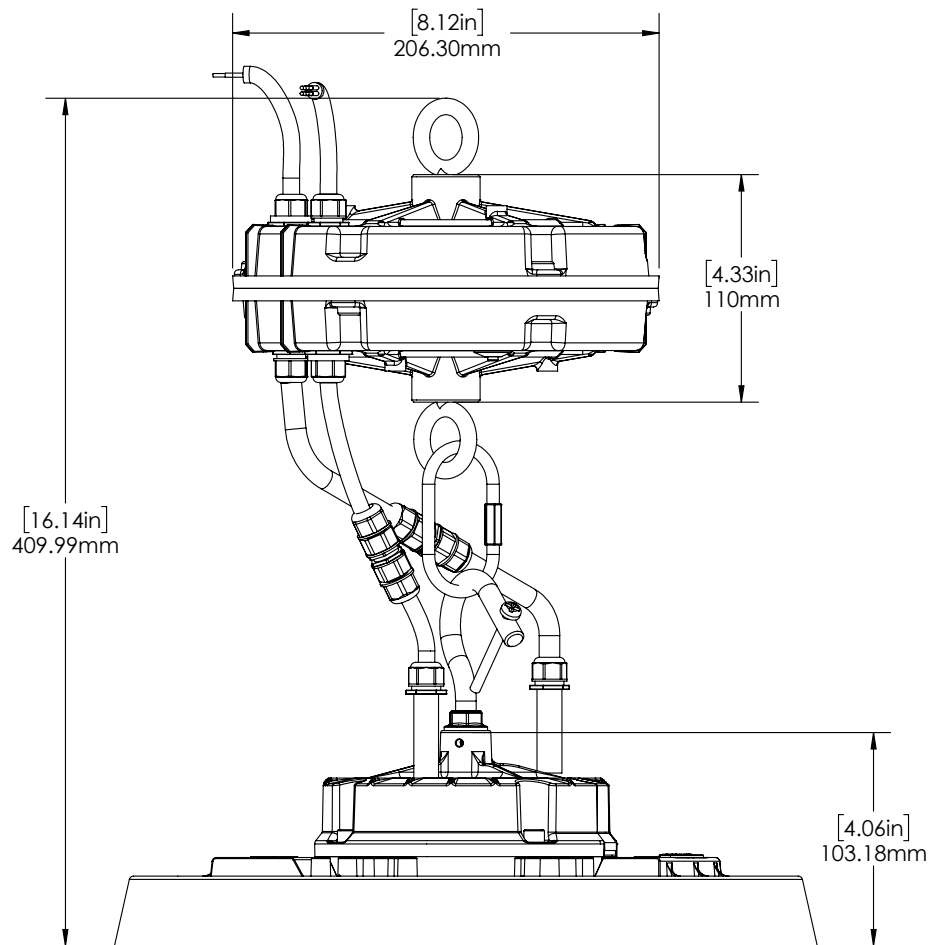
**JUNCTION BOX
WITH 1/2" OR 3/4"
NPT ADAPTER**

Athena Wireless Node is installed in the junction box (not wet location rated) for the option with Lutron Athena Wireless Control system.



DIMENSIONS:

FIXTURE DIMENSIONS WITH BATTERY BACK UP KIT



SPECIFICATIONS

Model Number	Voltage (V)	Power (W)	Light Output (lm)	Efficacy (lm/W)	THD (%)	PF	CCT (K)	CRI
RH2S-LED200A150-H-VK-BLK-DIM-PCL-FS-N4X (3500K)	120-347	211.90	27906.6	131.70	2.45	0.999	3549	82
RH2S-LED200A150-H-VK-BLK-DIM-PCL-FS-N4X (4000K)	120-347	202.48	29932.5	147.83	2.43	0.999	4245	84
RH2S-LED200A150-H-VK-BLK-DIM-PCL-FS-N4X (5000K)	120-347	210.70	28232.3	133.99	2.62	0.999	5217	83
RH2S-LED240A200-H-VK-BLK-DIM-PCL-FS-N4X (3500K)	120-347	245.30	32370.8	131.96	3.58	0.999	3520	82
RH2S-LED240A200-H-VK-BLK-DIM-PCL-FS-N4X (4000K)	120-347	236.77	34833.3	147.12	3.57	0.999	4231	83
RH2S-LED240A200-H-VK-BLK-DIM-PCL-FS-N4X (5000K)	120-347	245.03	32628.5	133.16	3.41	0.999	5182	83

AMPERAGE DRAW & SURGE PROTECTION

	MAX. CURRENT (A)					SURGE PROTECTION (kV)
	120V	208V	240V	277V	347V	
RH2S-LED200A150	1.78A	1.03A	0.89A	0.77A	0.62A	120-277V
RH2S-LED240A200	2.08A	1.2A	1.04A	0.9A	0.72A	6kV

LUMEN ADJUSTABLE SETTINGS

RH2S-LED200A150			
WATTS (W)	200	180	150
LUMENS (Lm)	29933	26604	22065
RH2S-LED240A200			
WATTS (W)	240	220	200
LUMENS (Lm)	34833	32362	29420

Max power lumens are as per DLC reported listings. Other lumen values are calculated using the DLC max power reported efficacy.

WEIGHT (LBS)

RH2S-LED200A150	7.05 lbs
RH2S-LED240A200	

LUMEN MAINTENANCE

	50,000 Hours	75,000 Hours	100,000 Hours
RH2S-LED200A150	88.6%	83.5%	78.7%
RH2S-LED240A200			

Life hours are derived from IESNA LM-80 testing report and projected per IESNA TM-21 calculations.

COLOUR TEMPERATURE SWITCH:

Choose between 3500K/4000K/5000K using a switch that is located behind a rubber plug on the back.



LUMEN ADJUSTABLE SWITCH:

Example: RH2S-LED200A150, choose between 200W/180W/150W using a switch that is located behind a rubber plug on the back.

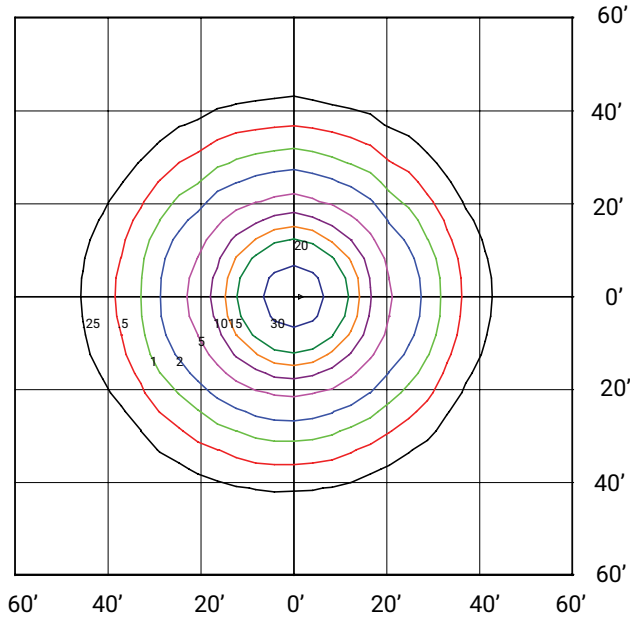


DIMMING WIRE & 12VDC AUXILIARY WIRE ACCESSIBILITY:



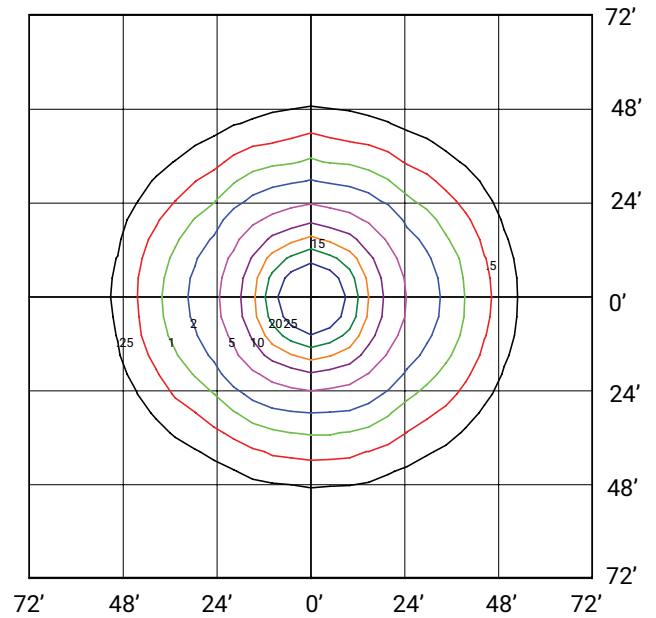
RH2S-LED200A150-H-VK-DIM-PCL-FS-N4X- (200W 4K)
MOUNTED AT 20 FEET

Lumens 29777 Maximum Calculated Value 36.00 Fc



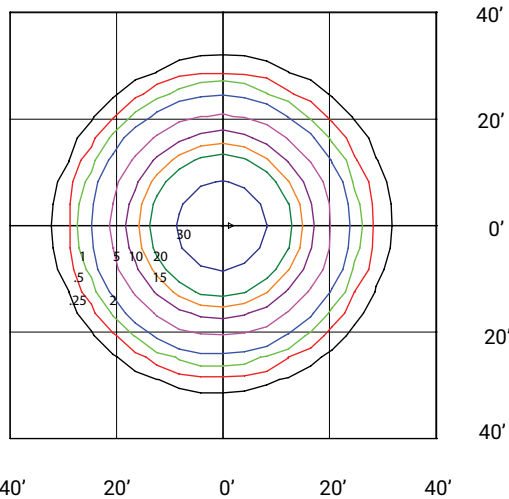
RH2S-LED240A200-H-VK-DIM-PCL-FS-N4X- (240W 4K)
MOUNTED AT 24 FEET

Lumens 34997 Maximum Calculated Value 31.84 Fc



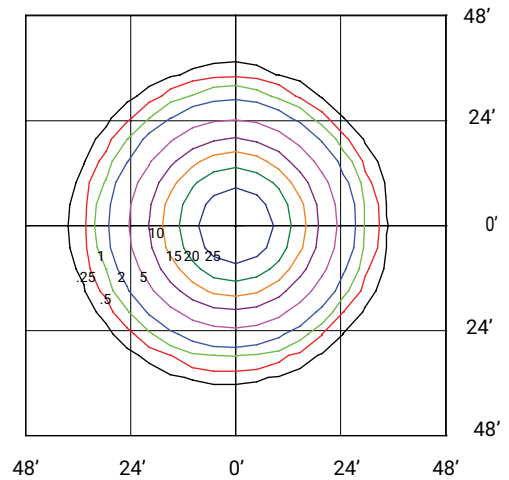
RH2S-LED200A150-H-VK-DIM-PCL-FS-N4X-ALUMINUM REFLECTOR (200W 4K)
MOUNTED AT 20 FEET

Lumens 28156 Maximum Calculated Value 38.20 Fc



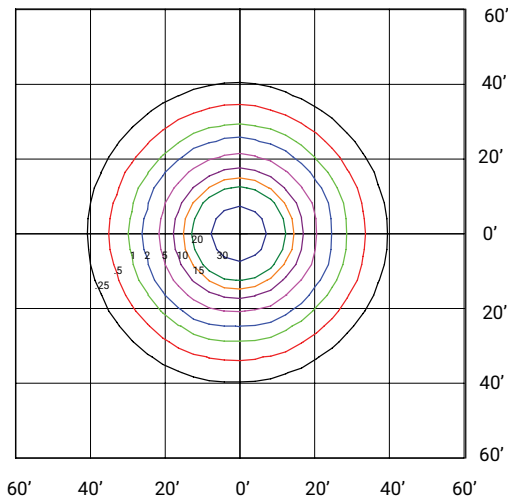
RH2S-LED240A200-H-VK-DIM-PCL-FS-N4X- ALUMINUM REFLECTOR (240W 4K)
MOUNTED AT 24 FEET

Lumens 31753 Maximum Calculated Value 29.83 Fc



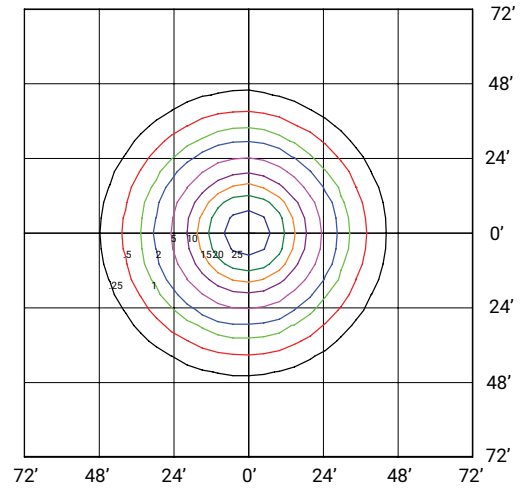
RH2S-LED200A150-H-VK-DIM-PCL-FS-N4X- POLYCARBONATE REFLECTOR (200W 4K)
MOUNTED AT 20 FEET

Lumens 29375 Maximum Calculated Value 36.08 Fc



RH2S-LED240A200-H-VK-DIM-PCL-FS-N4X- POLYCARBONATE REFLECTOR (240W 4K)
MOUNTED AT 24 FEET

Lumens 33785 Maximum Calculated Value 28.36 Fc



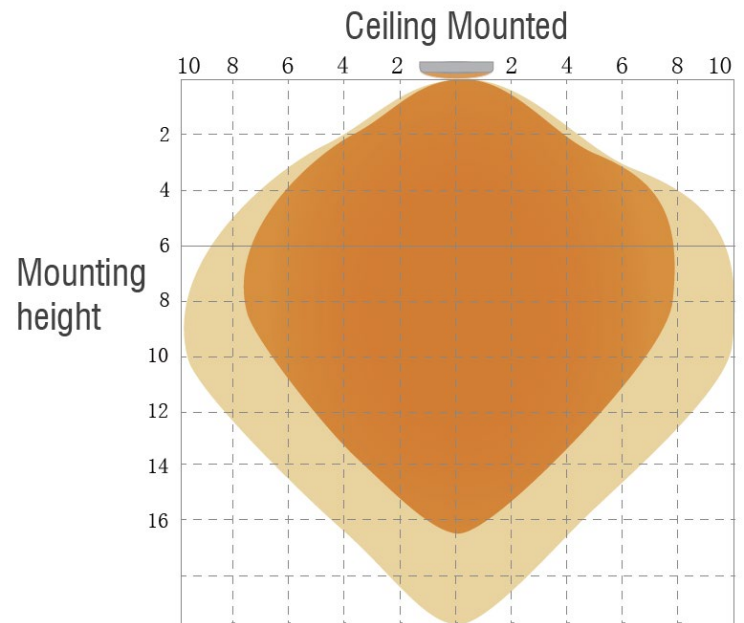
DC MICROWAVE MOTION SENSOR/ DIMMER SPECIFICATIONS

SENSOR SPECIFICATIONS

SPECIFICATIONS	
Operating Voltage	12V DC
Operating Current	30mA
Output	0-10V DC
Stand-by Power	0.5W
Frequency	5.8GHz +/-75MHz
IP Rating	IP65
Detection Angle	30° - 150°
Mounting Height	Max 15m (50ft)
Brightness	70%/80%/90%/100%
Sensitivity	20%/50%/75%/100%
Hold time	10s/1min/10min/30min
Daylight threshold	10Lux/30Lux/50Lux/100Lux/ Disabled
Stand-by time	1min/30min/60min/+∞
Stand-by Dimming Level	10%/20%/30%/50%

DEFAULT SETTINGS	
Brightness	70%
Sensitivity	20%
Hold time	10s
Daylight threshold	Disabled
Stand-by time	+ ∞
Stand-by Dimming Level	10%

SENSOR DETECTION RANGE (METRE)



DC MOTION SENSOR/DIMMER REMOTE CONTROL SETTINGS

SPECIFICATIONS		
<p>Top Section: Settings Display Area</p> <p>Bottom Section: Button Setting Area</p>	ON/OFF	Long press until the brightness indicator light is on. Then press to permanently turn on and off the fixture.
	BRIGHTNESS	Sets the highest light fixture brightness when motion is detected.
	HOLD TIME	The time the light fixture will remain at the brightness setting after it detects motion.
	STAND-BY DIM	The dim level that the light fixture will dim down after the Hold Time has expired.
	STAND-BY TIME	The time the light fixture will remain in the Stand-by dim state before it shuts off. To disable the light from shutting off, select the INFINITY icon.
	SENSITIVITY	Sets the sensitivity to which the sensor will detect motion.
	DAYLIGHT	The lux setting that the light fixture will turn on/off. If the ambient lux is more than the defined lux setting, the fixture & sensor function will turn off and remain off until the ambient lux is below the setting. Long press until the daylight indicator light is on. Then press to select the desired lux setting.
	SEND	Uploads the selected remote-control parameters to the light fixture sensor.
	RESET	Resets the light fixture sensor parameters to the default settings.
	- / +	Press to increase or decrease brightness from 0% to 100% at increments of 2%.
TEST	Press to test the sensor (hold time is 3s).	

Note: To switch from motion sensor mode to dimmer mode, long press the ON/OFF button until only the BRIGHTNESS option lights up. If all options light up, long press again. Then use the -/+ buttons to adjust the brightness.

PROGRAMMING INSTRUCTIONS

- Press the ON/OFF button
- Select the desired settings
 - Select the brightness level by pressing the BRIGHTNESS button.
 - Select the hold time by pressing the HOLD TIME button.
 - Select the stand-by dim level by pressing the STANDBY DIM button.
 - Select the stand-by time by pressing the STANDBY TIME button.
 - Select the sensor sensitivity by pressing the SENSITIVITY button.
 - Optional: If daylight sensor is desired, long press the DAYLIGHT button and then choose the lux setting.
- Press SEND- the fixture responds by strobing.

LED EMERGENCY DRIVER

TECHNICAL DATA

ITEM	DATA
Rated Input Voltage	100-347 VAC, 50-60Hz
Input Current	20-100mA
Input Power (Charging)	8W max
Power Factor	0.6 at 100VAC, 0.5 at 347VAC
Output Power (Discharging)	40W
Battery Pack Voltage/Capacity	LiFePO4 12.8V 6600mAh, 84.48 Wh
Recharge Current	0-500mA
Recharge Time	24 Hours
Discharge Time	90 Minutes
Max. Casing Temperature tc.	70°C
Ambient Temperature Range	0°C to 50°C
Remote Control Range	15 metres
Certification	cULus, IP65

Note: Lumen output with emergency battery backup can be calculated by multiplying battery power output (40W) with efficacy of fixture.



SAFETY FEATURES

- Input over current protection.
- Output over voltage protection.
- Output under current protection.
- Output short circuit protection (Emergency Mode).

REMOTE CONTROL

- Remote control provided to test the emergency battery back-up.



TEST SWITCH

- Test the emergency battery back-up.

LED INDICATOR LIGHT

- Red stable indicating charging mode or charging full
- Red off indicating main power off or discharging mode

ORDERING GUIDE:



Fixture	Wattage	Voltage	Colour Temp.	Finish	Dimming	Lens	NSF Certification	NEMA 4X Certification
LED200A150 LED240A200		H - 120-347V	VK-Colour Selectable (3500K/4000K/5000K)	BLK - Matte Black	DIM - 0-10V Dimming	PCL - Polycarbonate Lens	FS - NSF	N4X - NEMA 4X

STOCK CODES

081612	RH2S-LED200A150-H-VK-BLK-DIM-PCL-FS-N4X
081613	RH2S-LED240A200-H-VK-BLK-DIM-PCL-FS-N4X

Ordering Guide For Accessories



Check the items that you wish to order:

- 080577 RHB2/RHB2S/RH2S YOKE BLK
- 140750 M10-3/4" NPT ADAPTER NICKEL PLATED IRON
- 140748 M10-1/2" NPT ADAPTER NICKEL PLATED IRON
- 081619 RH2S ALUMINUM REFLECTOR
- 081621 RH2S POLYCARBONATE REFLECTOR
- 081622 RH1S/RH2S POLYCARBONATE REFLECTOR COVER
- 002375 RH2S STEEL WIRE GUARD
- 080909 DC MOTION SENSOR/DIMMER
- 080970 DC MOTION SENSOR REMOTE CONTROL
- 002327 RHB1S/RHB2S/RH1S/RH2S JUNCTION BOX PENDANT KIT BLK
- 002318 ROUND HIGHBAY 40W 120-347V LED EMERGENCY BBK
- 002386 RH1S/RH2S JUNCTION BOX PENDANT KIT BLK W/AWNR*

Note: All accessories complete with hardware for installation

*Lutron Athena Wireless Node with RF only (A-WN-D01-RF-BL) is installed in a separate junction box (see page 4). Gateway and controller not included.

RATINGS TABLE:

	NEMA 4X fixtures are for Indoor or outdoor use, including offshore applications. Offers protection against windblown dust and rain. Offers protection from splashing water and hose-directed water. Corrosion-resistant.
	NSF-approved lighting products must deliver light output (footcandle) levels that are adequate for food preparation and food storage areas. These products must be shatterproof to ensure that no broken glass splinters over food or other equipment. Fixtures must be easily accessible, resistant to the intrusion of dust, water and other hazards, and designed for easy cleaning to minimize the breeding of bacteria or mold.