

RAB[®]

DESIGN



SFL3-LED



SFL4-LED

SFL3/SFL4-LED

Sports, Commercial, and Industrial Flood Light

(Shown with Yoke and Photocell)

IDEAL APPLICATIONS

- ✓ Stadiums and Arenas
- ✓ Construction Sites
- ✓ Hangars
- ✓ Large Distribution Centers
- ✓ Rail, Work and Shipping Yards
- ✓ Bridges, Monuments and Facades

The SFL3/SFL4 is a high lumen flood that can be used in large sports, commercial, and industrial applications. Featuring a wide range of options and distinct features such as a lumen select switch, and mounting the driver remotely, this fixture can be customized to your needs and delivered to you within a quick time frame.

The SFL is robust, durable, and features an industry leading 7-year warranty.

FEATURES:

Design and Construction:

- Die cast aluminum body and polycarbonate lens.
- IP66 Rated Fixture to prevent dust and water ingress.
- Smart design with the placement of the driver away from the heatsink facilitating easy installation, and lower weight in retrofit projects.
- Available with a Yoke or Slip-fitter (Factory Installed).
- Custom cable lengths available to facilitate remote mounting of the driver - 5ft,10ft, 30ft,65ft (Sold Separately)
- Corrosion resistant powder coating. Salt Spray tested for 1000 hours.

Light Output and Distribution

- SFL3/SFL4 delivers a high lumen output (~126,000 lumens for SFL3 and ~185,000 lumens for SFL4) that can be adjusted on the field by the Installer. Fixture has 3 lumen adjustment settings.
- Multiple beam distributions available to fulfill most application requirements.
- Available in 4000K or 5000K colour temperature.

Precise Aiming Mechanism

- Fixture head can be aimed 180° in a vertical or horizontal plane for improved aiming.
- Calibrated angle increments on fixture housing and mounting system for precise aiming.
- Laser Pointer accessory to accurately aim the fixture to the desired location.
- Visor shield can be attached at the top or bottom to focus the light and minimize glare.

Electrical

- Drivers have built-in 10KV + External 10KV surge protection. (Additional 20KV Surge protection provided as an option)
- Power factor >0.99 results in reduced power losses and an efficacy of 155 lumens per watt

SPECIFICATIONS	SFL3-LED800A600	SFL4-LED1200A900
Watts	817W Max 600W Min	1201W Max 900W Min
Lumens	126500 lm Max 92400 lm Min	184800 lm Max 138600 lm Min
Efficacy	155 lm/W	154 lm/W
Voltage	120-277, 347V	
Colour Temp	4000K, 5000K*	
Replaces	1200W MH/1500W MH	2000W MH
CRI	72	
Dimming	0-10V (10%-100%)	
Surge Protection	10 KV Internal (with driver), 10 KV External (added to every fixture) Optional 20kV Surge Protection	
THD	8.6%	3.80%
PF	0.995	
Beam Distribution	20°, 30°, 40°, 60°	20°, 30°, 40°
LED Life (L80)	100,000 Hours	
Housing Finish	Matte Black	
Housing Details	Die Cast Aluminum	
Lens Details	Polycarbonate	
Mounting	Slipfitter, Yoke	
Operating Temp.	-40°C to +45°C	
Cable Length	Input Power - 4' Cable (STW 3x18 AWG) Dimming - 4' Cable (STW 2x18 AWG) custom cable lengths available.	
Factory Installed Options	Twist Lock Photocell, 3PIN, 7PIN Receptacle with Shorting Cap ANSI C136. 20kV Surge protection(120-277V)	
Options Sold Separately	Cable for remote driver mounting(5', 10', 30', 65'), Visor, Laser Pointer (comes with one rechargeable battery and battery charger)	
Certifications	cULus certified as per UL1598 & CSA C22.2 NO. 250.0:21, IP66, Wet Location, DLC Premium	

*Custom CCT options and 20kV Surge Protection available as special orders. Contact customer service to learn more.



Assembled in Toronto
resulting in quick delivery time.

DRIVER MOUNTED REMOTELY



This image showing cabinet is for reference only. RAB Design doesn't offer cabinets.

Benefits of mounting the driver remotely:

- 1. Easy Access:** The driver is more accessible for maintenance as it is mounted away from the fixture closer to the ground.
- 2. Reduced fixture weight facilitates easy installation.**
- 3. Lower weight allows for more flexibility in pole choices.**

PRECISE AIMING



BEAM DISTRIBUTIONS

SFL3-LED - 20°, 30°, 40°, & 60°
SFL4-LED - 20°, 30°, 40°



ANGLE MARKINGS

The mounting system and fixture have calibrated angle markings that help you aim the light.



VISOR

used to reduce glare

Note:

Screws included in package.



LASER POINTER

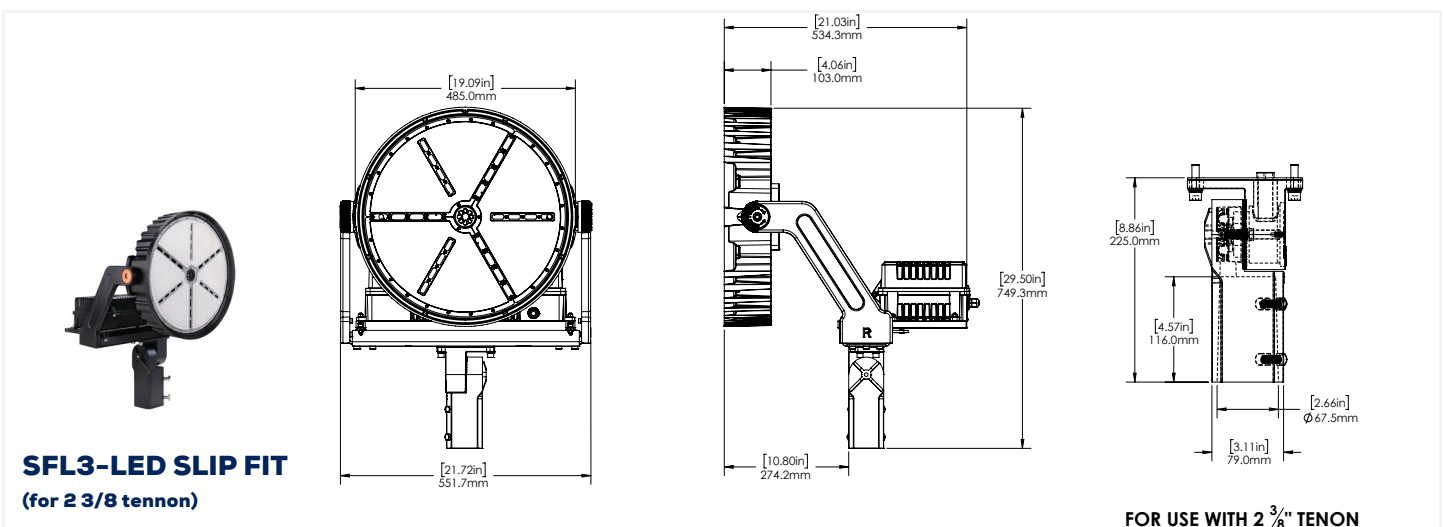
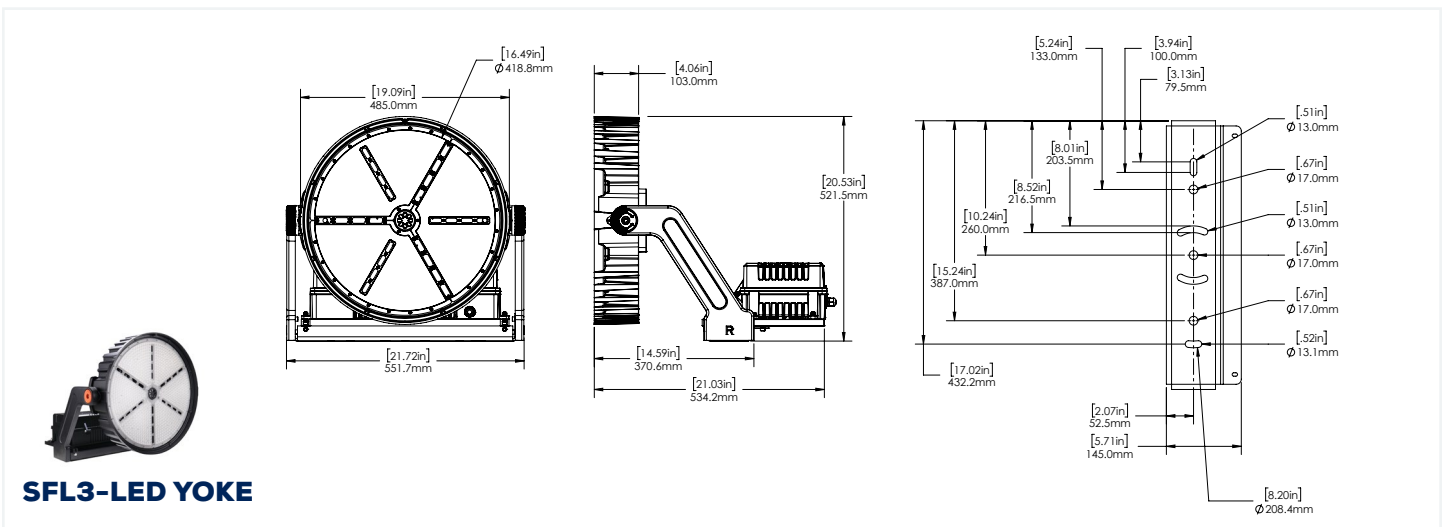
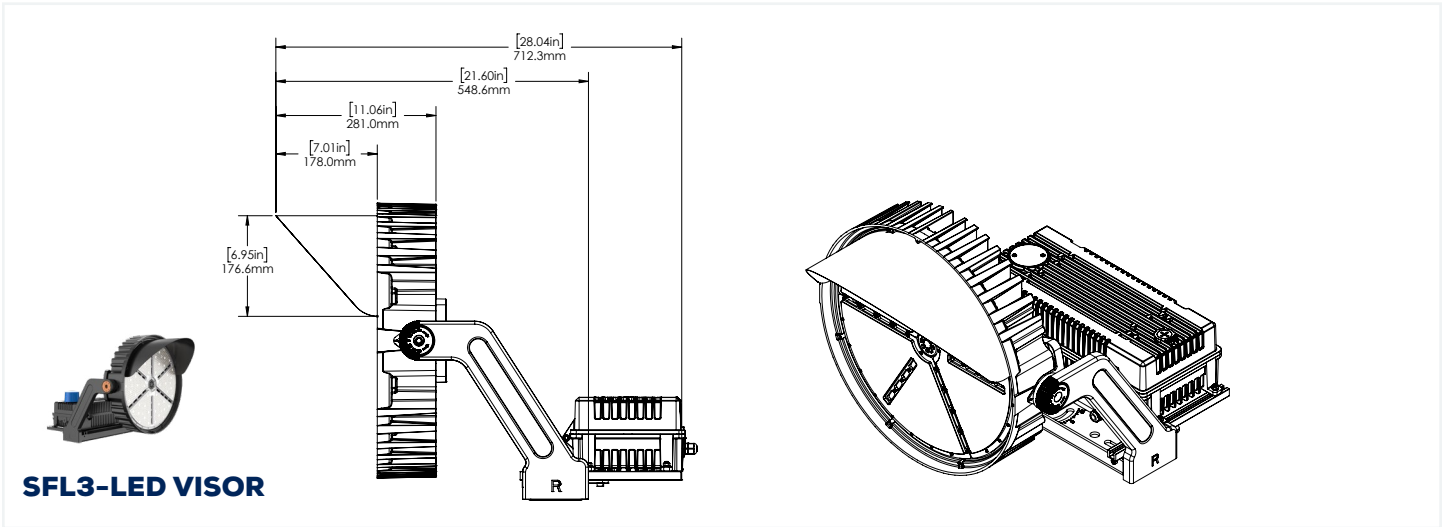
Used to accurately aim the fixture to the desired location

Range of the laser pointer: 200 meters.
It is operated by rechargeable battery.

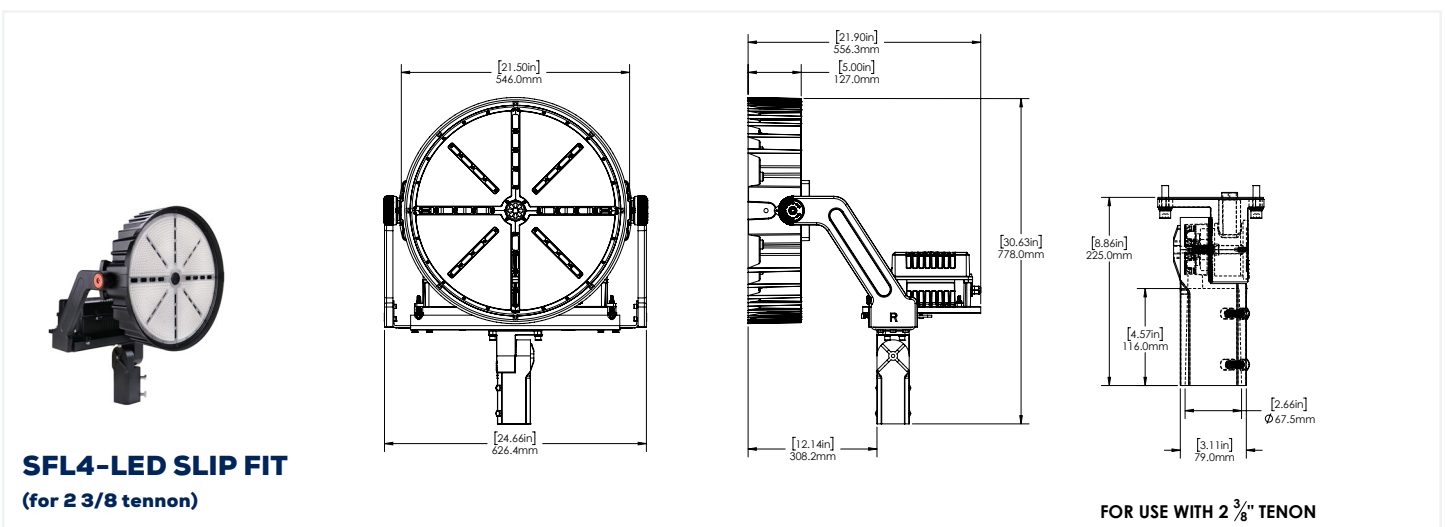
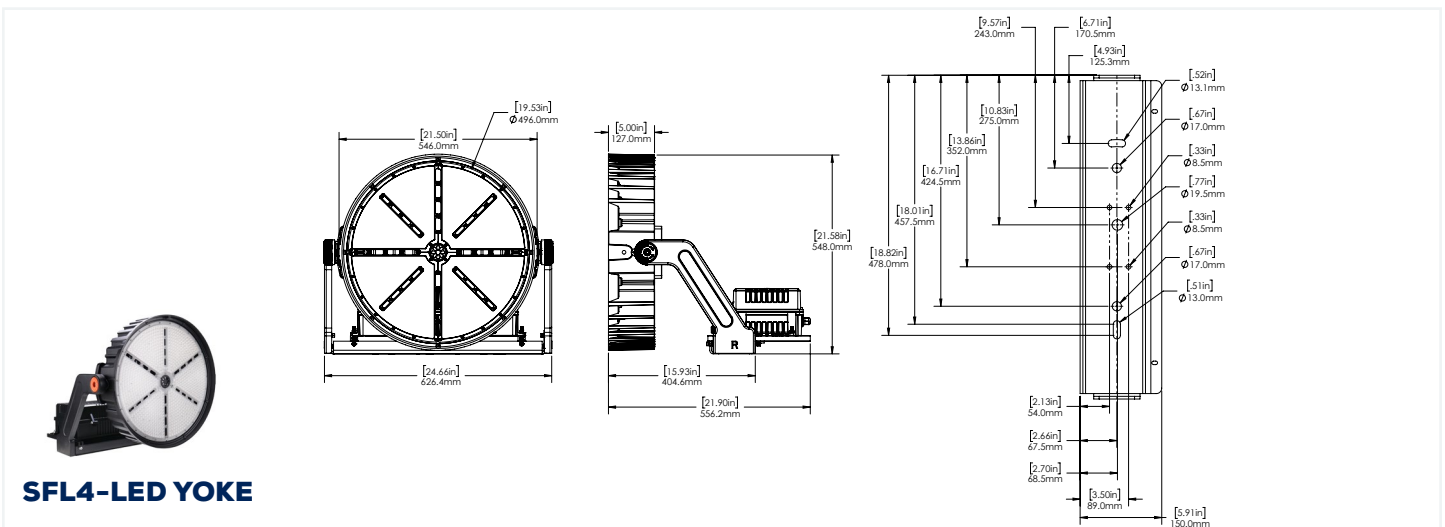
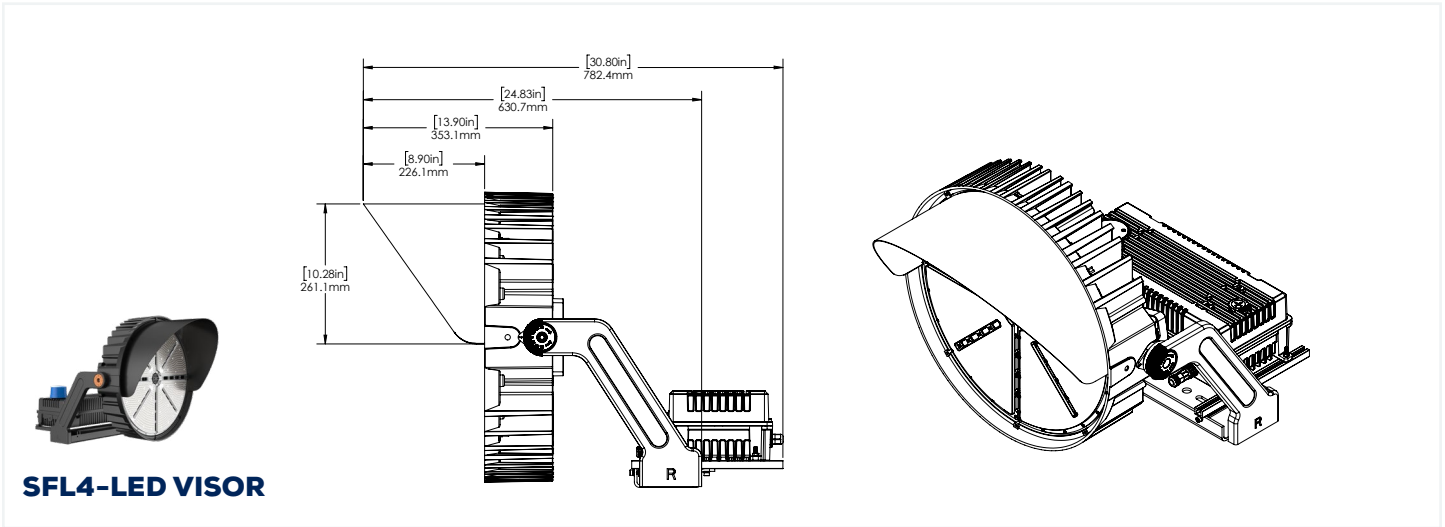
Note:

Laser pointer package includes one DC (rechargeable) battery and battery recharger.

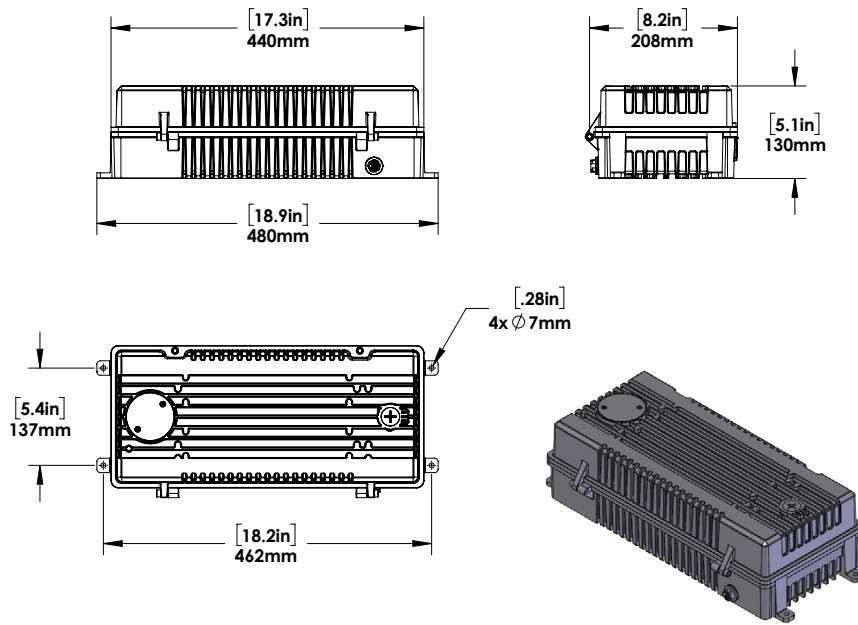
DIMENSIONS:



DIMENSIONS:

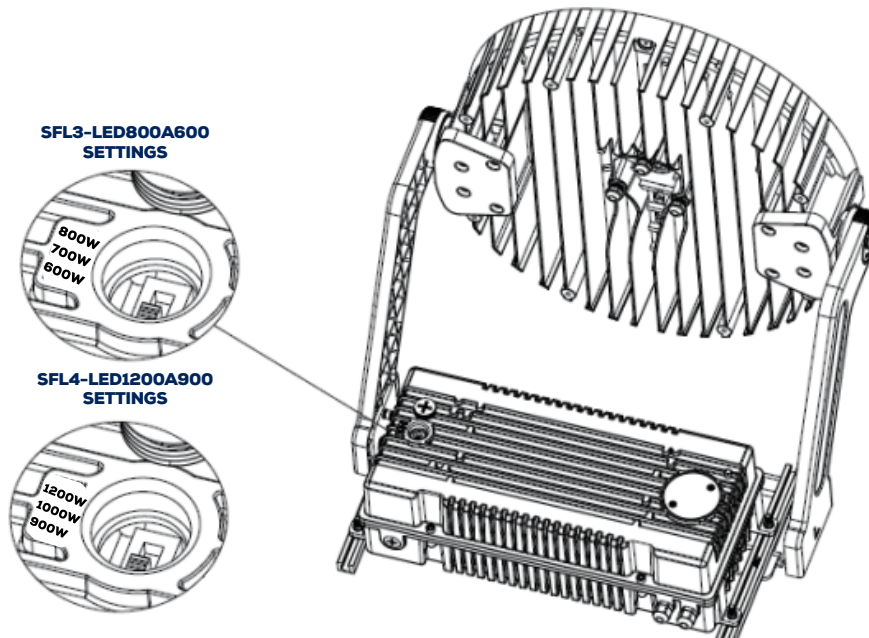


DIMENSIONS:



**SFL3/SFL4-LED
DRIVER BOX**

LUMEN SELECT SWITCH:



AMPERAGE DRAW & SURGE PROTECTION							
	CURRENT (A)					SURGE PROTECTION	
	120V	208V	240V	277V	347V	120-277V	347V
SFL3-LED800A600	7.15A	4.13A	3.58A	3.1A	2.48A	10kV + 10kV*	
SFL4-LED1200A900	10.5A	6.06A	5.25A	4.55A	3.64A	10kV + 10kV*	

*Note: Total 20KV standard. 10KV is Driver internal and 10KV is device added external to driver in all fixtures as standard.

TM-21 ESTIMATED LUMEN MAINTENANCE			
	50,000 Hours	75,000 Hours	100,000 Hours
SFL3-LED & SFL4-LED	89.7%	84.9%	80.3%

*Note: Life hours are derived from IESNA LM-80 testing report and projected per IESNA TM-21 calculations.

ADJUSTABLE LUMENS SETTINGS			
SFL3-LED800A600			
Power (W)	800	700	600
Lumens (lm)	126500	107800	92400
SFL4-LED1200A900			
Power (W)	1200	1000	900
Lumens (Lm)	184800	154000	138600

EPA (ft ²)			
	0° Tilt	45° Tilt	90° Tilt
SFL3-LED With Yoke	1.9	2.7	3.1
SFL3-LED With Slipfit	2.1	2.9	3.3
SFL4-LED With Yoke	2.1	3	3.5
SFL4-LED With Slipfit	2.3	3.2	3.7

WEIGHT (lbs)		
SFL3 - Yoke	49.5	
SFL3 - Slipfitter	56.1	
SFL4 - Yoke	66.1	
SFL4 - Slipfitter	70.7	
Driver Mounted Remotely	Fixture	Driver Box
SFL3 - Yoke	35.2	14.3
SFL3 - Slipfitter	39.8	14.3
SFL4 - Yoke	49.1	17
SFL4 - Slipfitter	53.7	17

SPECIFICATIONS							
Model Number	Voltage (V)	Power (W)	Light Output (lm)	Efficacy (lm/W)	THD (%)	PF	CCT (K)
SFL3-LED800A600-B-4K-20DEG-BLK-DIM-YK-SP10	120-277	818.35	124359	151.96	8.6	0.995	4000
SFL3-LED800A600-B-5K-20DEG-BLK-DIM-YK-SP10	120-277	819.13	124947	152.54	8.6	0.995	5000
SFL3-LED800A600-B-4K-30DEG-BLK-DIM-YK-SP10	120-277	815.5	122997	150.83	8.8	0.995	4000
SFL3-LED800A600-B-5K-30DEG-BLK-DIM-YK-SP10	120-277	815.9	123474	151.34	8.8	0.995	5000
SFL3-LED800A600-B-4K-40DEG-BLK-DIM-YK-SP10	120-277	817.26	126141	154.35	8.6	0.995	4000
SFL3-LED800A600-B-5K-40DEG-BLK-DIM-YK-SP10	120-277	817.42	126498	154.75	8.6	0.995	5000
SFL3-LED800A600-B-4K-60DEG-BLK-DIM-YK-SP10	120-277	812.63	124243	152.89	8.8	0.995	4000
SFL3-LED800A600-B-5K-60DEG-BLK-DIM-YK-SP10	120-277	811.81	124595	153.48	8.8	0.995	5000
SFL3-LED800A600-C-4K-20DEG-BLK-DIM-YK-SP10	347	801.24	120665	150.60	5.0	0.994	4000
SFL3-LED800A600-C-5K-20DEG-BLK-DIM-YK-SP10	347	801.84	121174	151.12	5.0	0.994	5000
SFL3-LED800A600-C-4K-30DEG-BLK-DIM-YK-SP10	347	817.2	126770	155.12	5.3	0.995	4000
SFL3-LED800A600-C-5K-30DEG-BLK-DIM-YK-SP10	347	815.2	127048	155.84	5.3	0.995	5000
SFL3-LED800A600-C-4K-40DEG-BLK-DIM-YK-SP10	347	796.44	123409	154.95	4.8	0.994	4000
SFL3-LED800A600-C-5K-40DEG-BLK-DIM-YK-SP10	347	797.23	124021	155.57	4.8	0.994	5000
SFL3-LED800A600-C-4K-60DEG-BLK-DIM-YK-SP10	347	795.81	124179	156.04	5.0	0.994	4000
SFL3-LED800A600-C-5K-60DEG-BLK-DIM-YK-SP10	347	796.64	124686	156.52	5.0	0.994	5000
SFL4-LED1200A900-B-4K-20DEG-BLK-DIM-YK-SP10	120-277	1206.02	182066	150.96	9.5	0.994	4000
SFL4-LED1200A900-B-5K-20DEG-BLK-DIM-YK-SP10	120-277	1205.57	182724	151.57	9.5	0.994	5000
SFL4-LED1200A900-B-4K-30DEG-BLK-DIM-YK-SP10	120-277	1218.7	183920	150.91	10.2	0.993	4000
SFL4-LED1200A900-B-5K-30DEG-BLK-DIM-YK-SP10	120-277	1218.1	184753	151.67	10.2	0.993	5000
SFL4-LED1200A900-B-4K-40DEG-BLK-DIM-YK-SP10	120-277	1200.66	180603	150.42	9.4	0.994	4000
SFL4-LED1200A900-B-5K-40DEG-BLK-DIM-YK-SP10	120-277	1201.31	181554	151.13	9.4	0.994	5000
SFL4-LED1200A900-C-4K-20DEG-BLK-DIM-YK-SP10	347	1201.04	183976	153.18	3.8	0.995	4000
SFL4-LED1200A900-C-5K-20DEG-BLK-DIM-YK-SP10	347	1200.49	184809	153.94	3.8	0.995	5000
SFL4-LED1200A900-C-4K-30DEG-BLK-DIM-YK-SP10	347	1196.5	182521	152.55	5.1	0.995	4000
SFL4-LED1200A900-C-5K-30DEG-BLK-DIM-YK-SP10	347	1197.6	183151	152.94	5.1	0.995	5000
SFL4-LED1200A900-C-4K-40DEG-BLK-DIM-YK-SP10	347	1198.27	184474	153.95	3.9	0.995	4000
SFL4-LED1200A900-C-5K-40DEG-BLK-DIM-YK-SP10	347	1197.44	184991	154.49	3.9	0.995	5000

ORDERING GUIDE:

BLK

DIM

Fixture	Wattage	Voltage	Colour Temp.	Optics	Finish	Dimming	Options	Mounting
SFL3	LED800A600	B - 120-277V**	4K - 4000K	20DEG - 20°	BLK - Matte Black	DIM - 0-10V Dimming	BLANK*	YK - Yoke*
SFL4	LED1200A900	C - 347V	5K - 5000K	30DEG - 30°			3PIN - 3 PIN Receptacle for Smart Controls	SF - Slipfitter
				40DEG - 40°			7PIN - 7 PIN Receptacle for Smart Controls	
				60DEG - 60° (SFL3 only)		PC - Photocell		

Surge Protection

SP10 - 10kV Surge Protection*

SP20 - 20kV Surge Protection**

* Standard Configuration

** Additional 20KV Surge Protection available for 120-277V.

Special order for 347V available, please consult RAB's Customer Success Team.

Note: Custom input cable length option available (standard unit comes with 4ft).

Custom finish available as Special order, please consult RAB's Customer Success Team.

Custom CCT options available as Special orders, please consult RAB's Customer Success Team.

Recommended maximum cable length for mounting the driver remotely is 100ft.

Standard unit comes with driver box attached, for remote driver mounting, driver box can be detached on field.

STOCK CODE	DESCRIPTION
098987	SFL3-LED800A600-B-4K-60DEG-BLK-DIM-YK-SP10
098988	SFL3-LED800A600-B-4K-60DEG-BLK-DIM-SF-SP10
098989	SFL4-LED1200A900-B-4K-40DEG-BLK-DIM-YK-SP10
098995	SFL4-LED1200A900-B-4K-40DEG-BLK-DIM-SF-SP10

ORDERING GUIDE FOR ACCESSORIES

Options Sold Separately

Check the items that you wish to order:



002492 SFL2/3 - VISOR BLK



002509 SFL4 - VISOR BLK



002510 5' CABLE W/ CONNECTOR



002511 10' CABLE W/ CONNECTOR



002512 30' CABLE W/ CONNECTOR



002513 65' CABLE W/ CONNECTOR



002494 SFL - LASER POINTER

Low voltage cables for mounting the driver/(s) remotely.