



SL4-LED30

LED Strip Light

SPECIFICATIONS

Watts	31 W
Lumens	4325 Lm
Efficacy	137.17 Lm/W
Replaces Up To	2 Lamp T8
Colour Temp**	Selectable - 3K, 4K, 5K
Certification	cULus, IP20
Operating Temp	-30°C to +40°C
Voltage	120-347V
LED Life (L70)	>100,000 hours
Housing Material	Steel
Lens Material	Polycarbonate
Lens Type	Frosted
Mounting	Surface mount, suspended mount using linear ceiling pendant mount kit.
Total Harmonic Distortion	4.3%
Power Factor	0.997
CRI	85
Internal Surge Protection	6KV
Weight	4.6 lbs

**Colour temperature is selectable and can be adjusted on the fixture through a switch. The default switch setting is set to 4K on the fixture.



DESCRIPTION

The SL4-LED30 strip light provides a highly efficient lumen output of approx. 4000 lumens. The frosted linear lens provides uniform light distribution ideal for use in shops, coves and general area lighting.

APPLICATIONS



Shops



Cove Lighting



General Area Lighting

FEATURES

- Fixture can be set at a colour temperature of 3000K, 4000K or 5000K while installing through a switch inside the housing
- Narrow, linear design with frosted lens for uniform light distribution
- Join up to 25 fixtures on a single circuit using easy connector steel plates. NOTE: Fixtures are daisy chained with line wires fished through the housing continuous row.
- Options: Dimming high frequency motion sensor, remote control, wire cage, reflector wings, linear ceiling pendant mount kit.
- Optional factory-installed smart lighting control available: Lutron Athena Wireless smart control allows zone and control changes digitally and wirelessly.

SPECIFICATIONS

DESCRIPTION	VOLTAGE (V)	INPUT POWER (W)	LIGHT OUTPUT	EFFICACY (Lm/W)	THD	PF	CRI
SL4-LED30-B-VK-DIM	120-277	31	4376	136.28	4.8%	0.993	85
SL4-LED30-H-VK-DIM	120-347	32	4325	137.17	4.3%	0.997	85

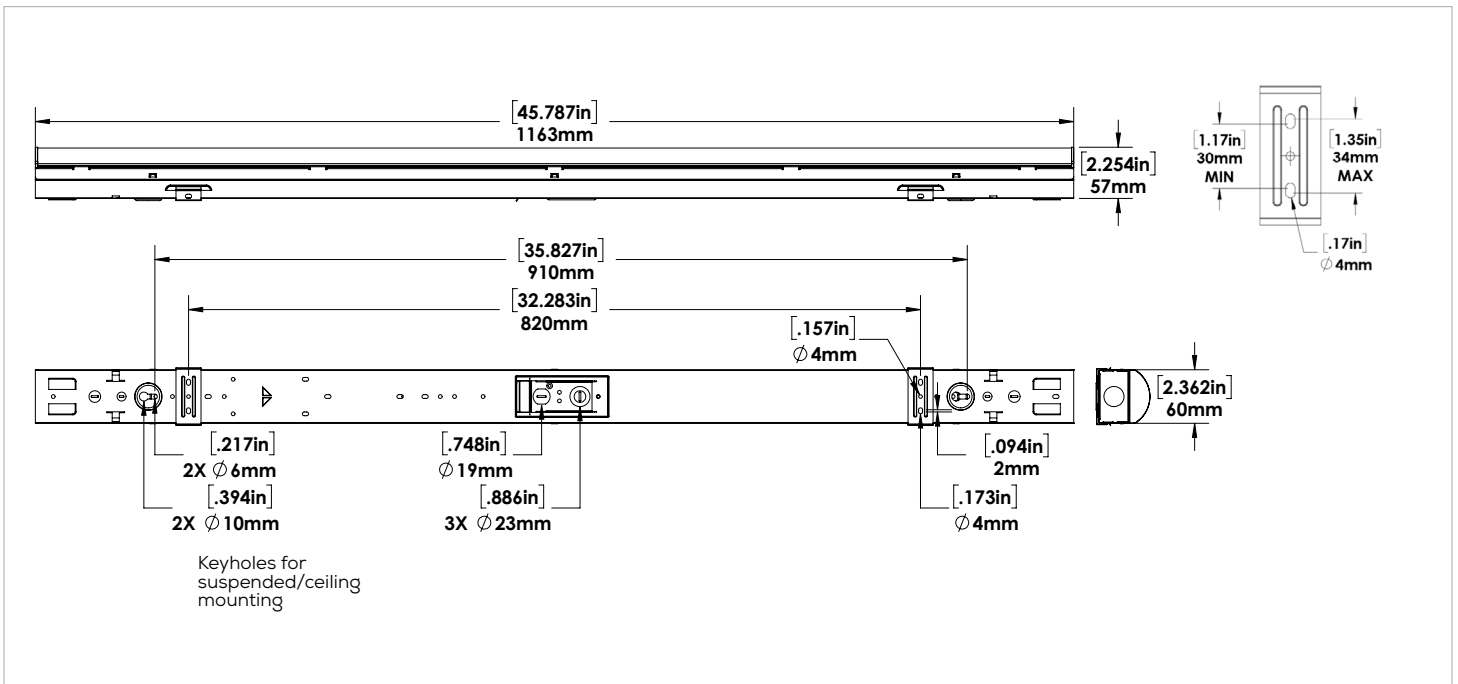
LEGEND

B - 120-277V, H -120- 347V

VK - CCT SELECTABLE

DIM - DIMMABLE

DIMENSIONS



COLOUR SELECTABLE SWITCH

1. 5000K
2. 4000K
3. 3000K

1. 5000K
2. 4000K
3. 3000K

(Default switch setting)

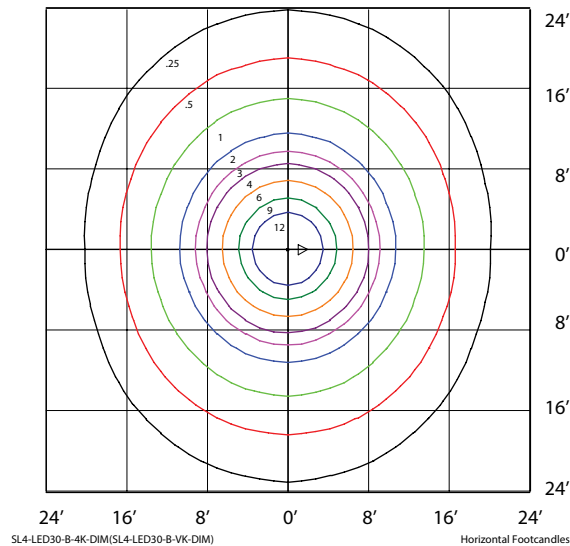
Easily change the colour temperature with the flip of a switch.

1. TOP position = 5000K
2. MIDDLE position = 4000K
3. BOTTOM position = 3000K

The switch is located inside of the fixture.

SL4-LED30-B-4K-DIM(SL4-LED30-B-VK-DIM)
MOUNTED AT 8 FEET

Total Lumens = 3910 Mounting Height = 8 Ft Maximum Calculated Value = 17.54 Fc



LINEAR CEILING PENDANT MOUNT KIT

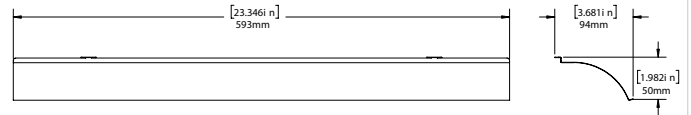
Linear Ceiling Pendant Mount Kit

Contains 2 x 5 foot aircraft cables with ceiling mounting plates, fixture mounting rod and nut, 6 drywall anchors, and 6 screws.

SKU 089814



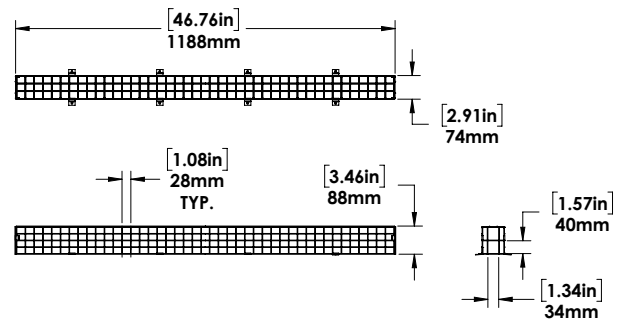
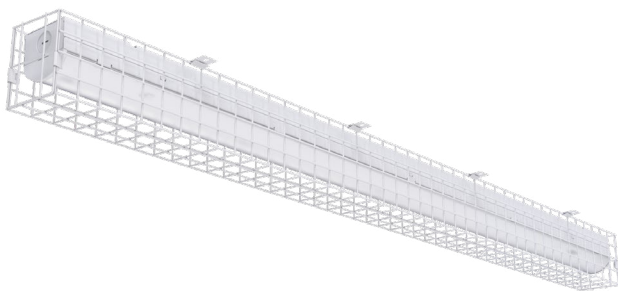
REFLECTOR WINGS



Reflector Wings Kit - Wings attach by inserting tabs into the cutouts on the fixture

SKU 099513

WIRE CAGE



Wire Cage - To install, place wire cage over the fixture and screw the clips on to the mounting surface.

SKU 002298

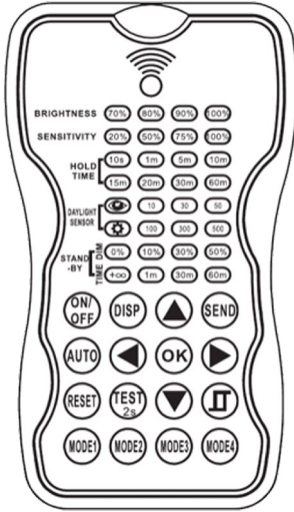
End caps of the wire cage are removable which allows installer to connect multiple fixtures with wire cages seamlessly. To connect two wire cages together, order the hardware kit 002383.

DHFS MOTION SENSOR

Dimming High Frequency Motion Sensor is factory installed.

BRIGHTNESS	SENSITIVITY	HOLD TIME	DAYLIGHT SENSOR	STAND-BY DIM	STAND-BY TIME
100%	100%	5 minutes	Disabled	DIM: 30%	60 minutes

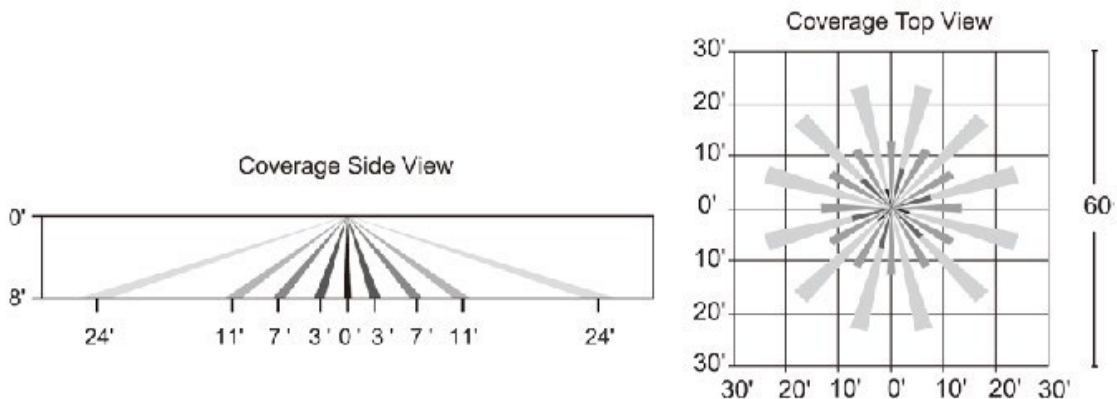
RC100 REMOTE



** Required additional purchase for custom configurations

DHFS SENSOR SPECIFICATIONS	
POWER SUPPLY	100-277 VAC, SINGLE PHASE, 60HZ 100-347 VAC, SINGLE PHASE, 60HZ 208/230/480 VAC, PHASE TO PHASE, 60HZ
MAXIMUM LOAD	100-120 VAC, 800W, TUNGSTEN 100-120 VAC, 800W, ELECTRONIC BALLAST/LED DRIVER 230-240 VAC, 300W, ELECTRONIC BALLAST/LED DRIVER 277 VAC, 1200W, ELECTRONIC BALLAST/LED DRIVER 347 VAC, 1200W, ELECTRONIC BALLAST/LED DRIVER 480 VAC, 480W, ELECTRONIC BALLAST/LED DRIVER
HIGH FREQUENCY SYSTEM	5.8GHZ +/-75MHZ
DIM CONTROL OUTPUT	0-10V DC DIMMING, 25MA
DETECTION RADIUS/ANGLE	MAX 8M (26FT) AT 360°
MOUNTING HEIGHT	MAX 6M (20FT)
HUMIDITY	MAX 95% RELATIVE HUMIDITY
OPERATING TEMP.	-40°C TO +70°C
CYCLES	200,000 ON/OFF CYCLES
CERTIFICATIONS	CRUUS, FCC
PROGRAMMING	WIRELESS PROGRAMMING USING RC-100 REMOTE

DHFS DETECTION RANGE & RADIUS/ANGLE



BATTERY BACK UP DETAILS:

TECHNICAL SPECIFICATIONS	
Rated Input Voltage	100-347VAC
Input Current	20-100mA
Input Power	8W
Power Factor	0.6 @ 100VAC, 0.5 @347 VAC
Output Wire L-out N-out (LED load input)	AC 6A Max
Output Voltage (Emergency Mode)	8W
Recharge Current	0-200mA
Recharge Time	24 Hours
Discharge Time	90 Minutes
Maximum Case Temperature Tc	70°C
Ambient Operating Temperature Ta	10-60°C
Service Life	50,000 Hours
RFI/EMI	FCC

*Battery Back Up is factory installed inside housing.

ORDERING GUIDE

SL4	LED30		VK	DIM		
WATTS	VOLTAGE	COLOUR TEMP.	DRIVER	CONTROLS	OPTIONS	
	B - 120 - 277V*	VK - COLOUR SELECTABLE*	DIM - 0-10V DIMMING*	BLANK - NO CONTROLS*	8W - 8W BATTERY BACK UP	
	H - 120-347V*	(can be adjusted to 3K, 4K, or 5K)		DHFS - DIMMING HIGH FREQUENCY SENSOR (factory installed inside the housing)		
				AWN - LUTRON SMART CONTROL**		

*Standard Configuration.

**Factory installed Lutron Athena Wireless Node with RF only (A-WN-D01-RF-WH). Gateway and controller not included.

FIELD INSTALLED ACCESORIES

CHECK THE ACCESORIES YOU WISH TO ORDER

- 002298 SL4-LED/SLH4 LED WIRE CAGE
- 002383 SLX-LED/SLH4-LED WIRE CAGE HARDWARE KIT FOR CONTINUOUS ROW*
- 089814 LINEAR CEILING PENDANT MOUNT KIT
- 099513 SL4-LED REFLECTOR WINGS KIT - WHT
- 087016 RC-100 MOTION SENSOR REMOTE CONTROL

*002383 is a hardware kit for connecting 2 wire cages