



LFW-LED

Linear Vapourproof Fixture



IDEAL APPLICATIONS

- ✓ Washdown Areas Like Car Washes
- ✓ Manufacturing and Assembly Lines
- ✓ Warehouses and Storage Areas
- ✓ Vehicle Service and Maintenance Areas
- ✓ Industrial Workshops such as Machine Shops, Metal, Fabrication Facilities, and Tool Rooms
- ✓ Laboratories and Research Facilities

DESCRIPTION:

The LFW-LED is a ruggedly constructed fixture in a galvanized steel housing and tempered glass lens that is **ideal to withstand exposure to corrosive substances** such as dust, water, salt and cleaning agents.

FEATURES:

Rugged Construction

- Galvanized sheet metal housing and aluminum end caps helps to withstand corrosive ingredients such as dust, water, salt and cleaning agents.
- Tempered glass lens that provides high lumen transmittance and resistance for high temperature environments.

Functionality

- CCT Select Unit – Choose between 3000K/4000K/5000K using a switch that is located inside the fixture.
- High surge protection with additional 10kV standard offering along with built-in 2kV from driver.
- Optional Dimming PIR Motion sensor (factory installed).
- Chemical resistant polyester powder coat grey finish.

Easy to install

- Fixture can be through-wired leading to reduced installation time. Daisy chain up to 20 units for 40W and 10 units for 60W.
- 2 stainless steel mounting brackets that facilitate easy and quick surface mounting included in the box.
- Adjustable wall mount bracket, and pendant mount accessory available (order separately).

SPECIFICATIONS	LFW-LED41	LFW-LED61
Input Power	40W	60W
Lumens	6117 lm	8424 lm
Efficacy	158.7 lm/W	145.2 lm/W
Voltage	120-347V	
CCT	Colour Selectable (3000K/4000K*/5000K)	
Surge Protection	2kV Built-in Driver and Additional 10kV	
CRI	82	
Dimming	0-10V Dim to Off	
Total Harmonic Distortion	8.06%	8.11%
Power Factor	0.998	
Beam Distribution	106°	
LED Life (L83)	100,000 Hours	
Housing Finish	Gray	
Housing Details	Galvanized Sheet Metal	
Lens Details	Clear Tempered Glass	
Mounting	Surface (Ceiling/ Wall) Mount, Suspended Mount	
Conduit Entries	2 (1/2" NPT)	
Operating Temp.	-40°C to 40°C (-40°F to 104°F) at 120-277V -40°C to 35°C (-40°F to 95°F) at 347V	
Factory Installed Options	PIR Motion Sensor	
Options Sold Separately	Adjustable Wall Mount Bracket, Pendant Mount Accessory	
Certifications	cULus Listed for Canada and USA, per UL1598, 5th Ed, NEMA 4X per UL 50E & NEMA 250, Wet Location, IP66, DLC Premium, 5 Year Warranty	

*Default factory setting to 4000K



ADDITIONAL SPECIFICATIONS:

AMPERAGE DRAW & SURGE PROTECTION						
	Current					Surge Protection
	120V	208V	240V	277V	347V	120-347V
LFW-LED41	0.35A	0.21A	0.18A	0.16A	0.13A	2kV + Additional 10kV
LFW-LED61	0.53A	0.31A	0.27A	0.23A	0.19A	2kV + Additional 10kV

TM-21 ESTIMATED LUMEN MAINTENANCE			
	50,000 Hours	75,000 Hours	100,000 Hours
LFW-LED	91.4%	87.2%	83.1%

Life hours are derived from IESNA LM-80 testing report and projected per IESNA TM-21 calculations.

SPECIFICATIONS							
Model Number	Voltage (V)	Power (W)	Light Output (lm)	Efficacy (lm/W)	THD (%)	PF	CRI
LFW-LED41-H-VK-DIM-TG-SP10 (3000K)	120-347	39.4	5494	139.4	9.24	0.995	81
LFW-LED41-H-VK-DIM-TG-SP10 (4000K)		38.5	5830	151.2	8.06	0.998	82
LFW-LED41-H-VK-DIM-TG-SP10 (5000K)		39.3	5674	144.3	8.31	0.998	82
LFW-LED61-H-VK-DIM-TG-SP10 (3000K)		59.3	7565	127.6	9.30	0.948	81
LFW-LED61-H-VK-DIM-TG-SP10 (4000K)		58.0	8029	138.4	8.11	0.998	82
LFW-LED61-H-VK-DIM-TG-SP10 (5000K)		59.2	7813	132.0	8.36	0.966	82

LEGEND

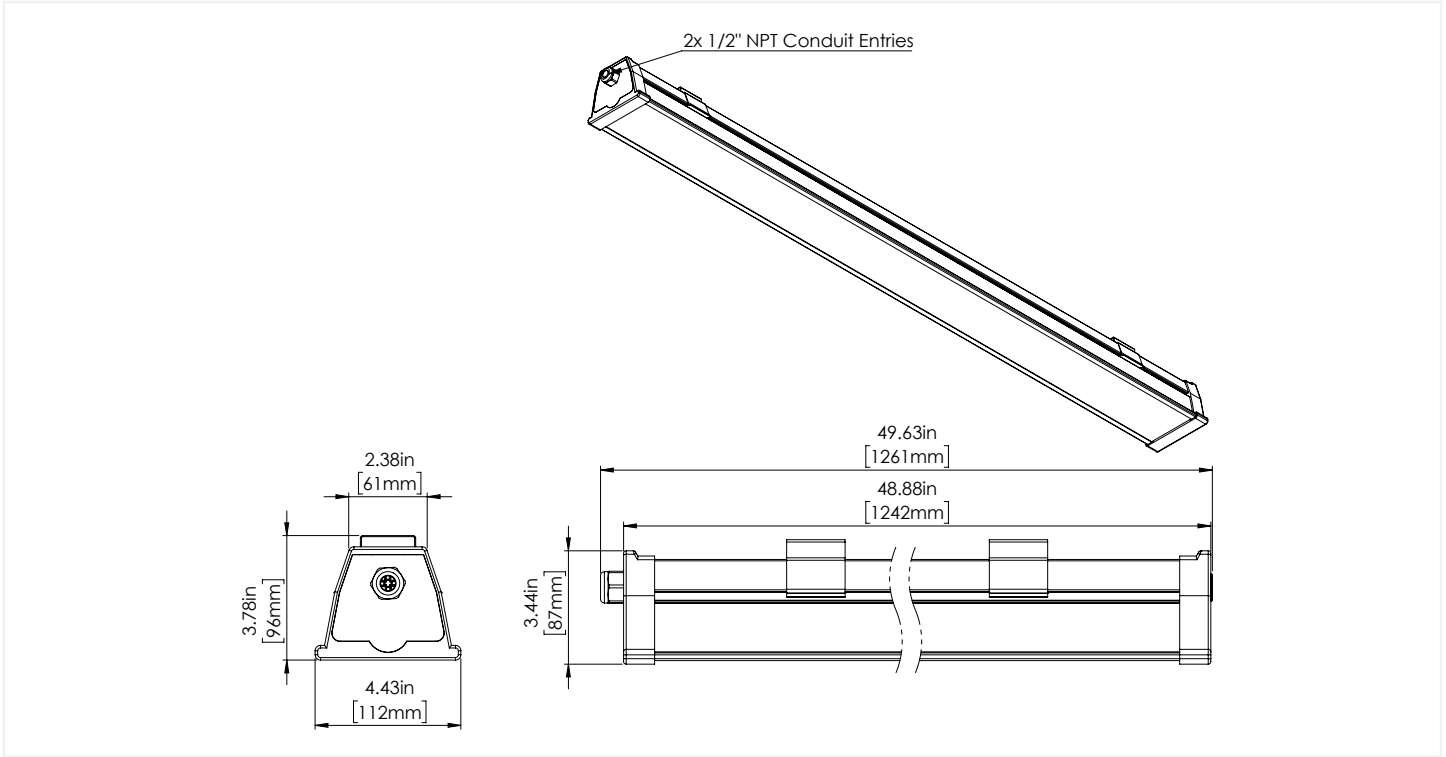
- H - 120-347V
- VK - Colour Selectable (3000K/4000K/5000K)
- DIM - 0-10V Dim to Off
- TG - Tempered Glass
- SP10 - 10kV Surge Protection

EASY INSTALLATION & MAINTENANCE:

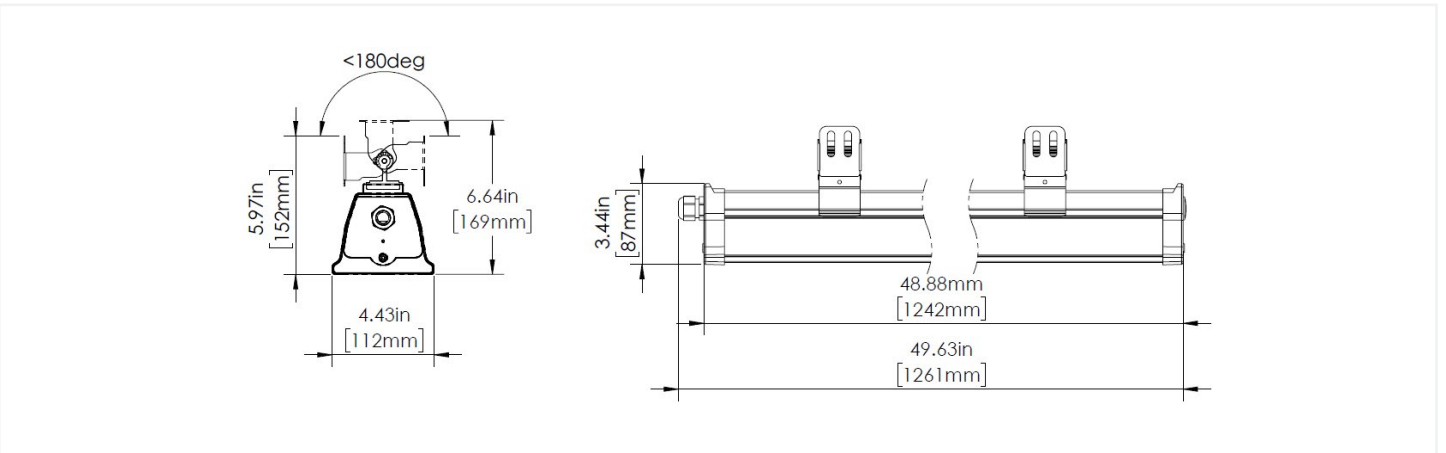


Fixture is designed for through-wiring leading to reduced installation time.
LED array and driver slide in and out for easy maintenance.

DIMENSIONS: Surface Mount/Pendant Mount Bracket



Wall Mount (Using Adjustable Wall mount bracket)



PIR MOTION SENSOR

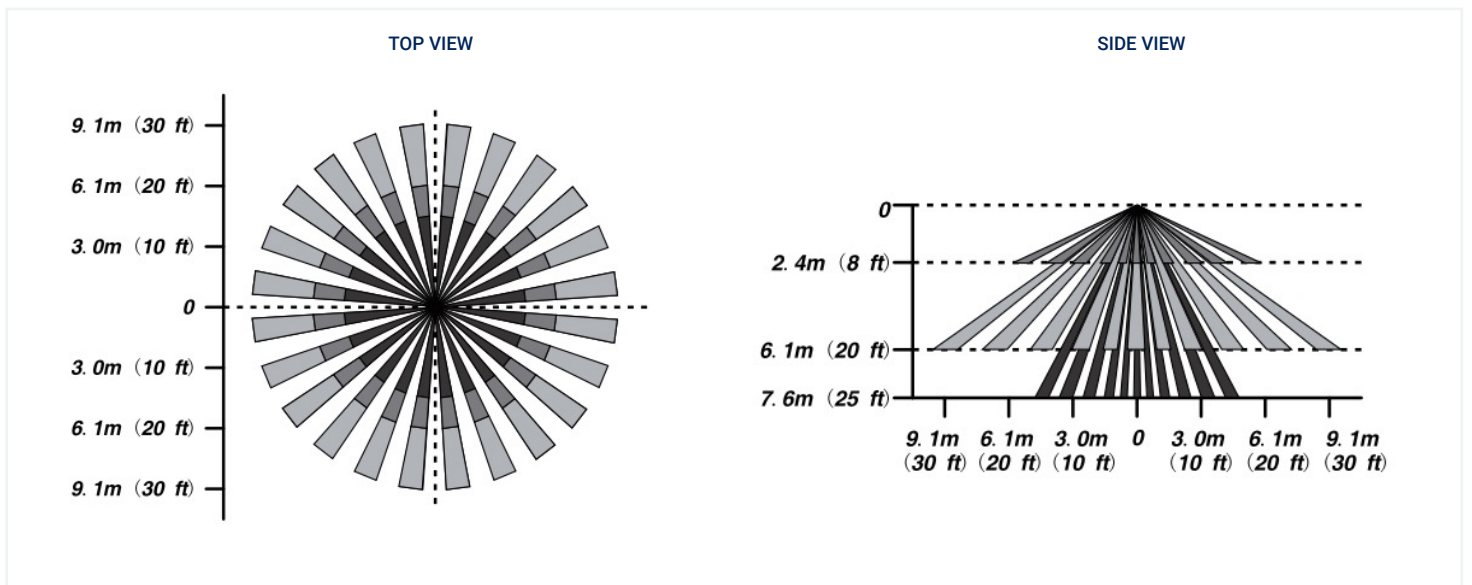


SENSOR SPECIFICATIONS	
INPUT POWER	120-347V
DIM CONTROL OUTPUT	0 – 10V, 25 MA
MOUNTING HEIGHT	MAX 7.6M (25FT)
DETECTION RADIUS	MAX 9.1M (30FT)
OPERATING TEMPERATURE	-40°C TO +75°C
CERTIFICATION	IP65 (WET LOCATION RATED) NEMA4X NOT APPLICABLE
INSTALLATION	FACTORY INSTALLED-SENSOR MOUNTED EXTERNALLY ON SIDE CONDUIT
PROGRAMMING	WIRELESS PROGRAMMING VIA REMOTE

DEFAULT SETTING	
BRIGHTNESS	100%
SENSITIVITY	100%
HOLD TIME	10 SEC
STAND-BY DIM LEVEL	30%
STAND-BY TIME	1 MIN
DAYLIGHT THRESHOLD	30LUX

Default Setting: If ambient light is more than 30lux, the fixture will stay off. If ambient light is less than 30 lux, after no motion for 10sec (hold time), the fixture will dim from 100% (brightness) to 30% (stand-by dim level). After no motion for another 1 min (stand-by time), the fixture will turn off.

DETECTION RANGE



RC100 REMOTE SPECIFICATIONS

FEATURES



BRIGHTNESS:

Sets the highest light fixture brightness when motion is detected.

SENSITIVITY:

Sets the sensitivity to which the sensor will detect motion.

HOLD TIME:

The time the light fixture will remain at the brightness setting after it detects motion..

DAYLIGHT SENSOR:

The lux setting that the light fixture will turn on/off. If the ambient lux is more than the defined lux setting, the fixture & sensor function will turn off and remain off until the ambient lux is below the setting. To disable the lux sensor, select the SUN icon. To set the lux to match current room conditions, select the EYE icon.

STAND-BY DIM:

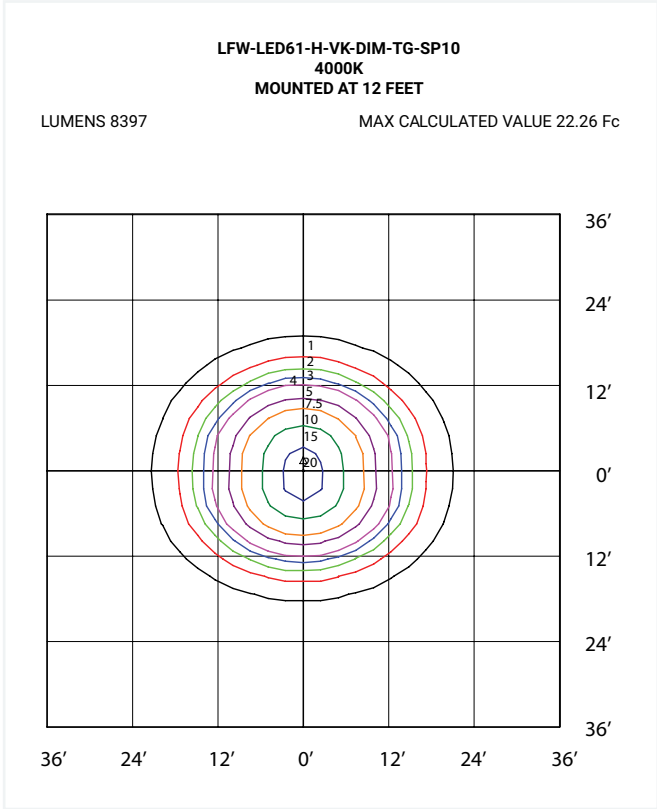
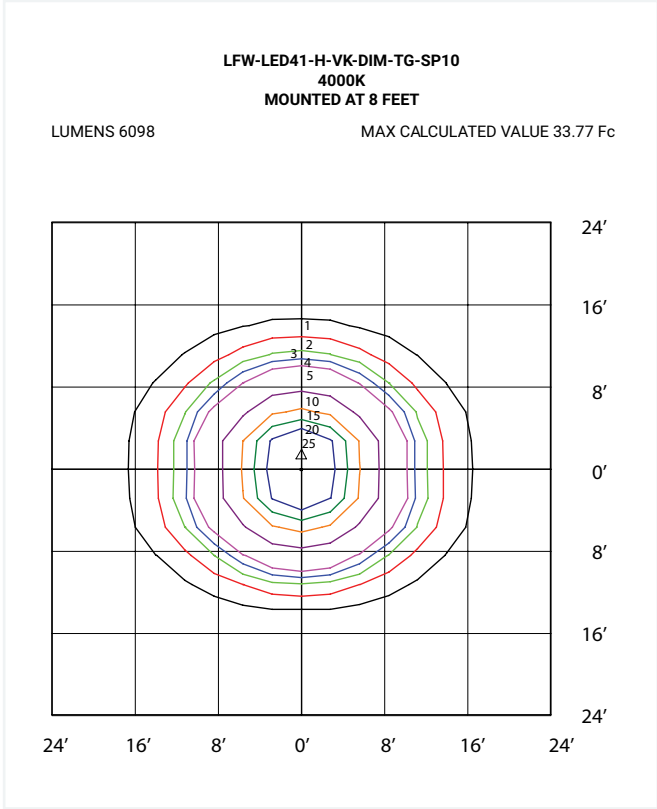
The Dim level that the light fixture will dim down after the Hold Time has expired.

To disable dimming and only have ON/OFF, select the 0% icon.

STAND-BY TIME:

The time the light fixture will remain in the dim down state before it shuts off. To disable the light from shutting off, select the INFINITY icon.

Note: Detailed programming instructions available for RC-100 Remote in Installation Instructions.



ORDERING GUIDE:

LFW	H	VK	DIM	TG	SP10		
Fixture	Wattage	Voltage	Colour Temp.	Dimming	Controls	Lens	Surge Protection
	LED41	H - 120-347V	VK - Variable Kelvin (3000K/4000K*/5000K)	DIM - 0-10V Dimming	BLANK*	TG - Tempered Glass	SP10 - 10kV Surge Protection
	LED61				DMS - PIR motion Sensor		

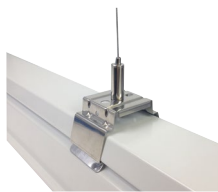
*Standard Configuration

STOCK CODES

098957	LFW-LED41-H-VK-DIM-TG-SP10
098956	LFW-LED61-H-VK-DIM-TG-SP10
098978	LFW-LED41-H-VK-DIM-DMS-TG-SP10
098980	LFW-LED61-H-VK-DIM-DMS-TG-SP10

Ordering Guide For Accessories

Check the items that you wish to order:



089814 - LINEAR CEILING PENDANT MOUNT KIT



089737 - ADJUSTABLE WALL MOUNT BRACKET KIT



087016 - RC-100 MOTION SENSOR REMOTE CONTROL