



SBL6-LED24A14

Field Adjustable Bollard with Photocell



Field adjustable bollards with wide input voltage, CCT and lumen select options and standard photocell in an elegant design. These bollards are ideal for pathway lighting in commercial and residential applications such as condos, townhouses, office buildings, campuses, shopping malls, and more.

IDEAL APPLICATIONS

- ✓ Pathways
- ✓ Townhouses
- ✓ Condos
- ✓ Campuses
- ✓ Parkettes
- ✓ Shopping Malls

SPECIFICATIONS

	SBL6F/SBL6D	SBL6DLV/SBL6FLV	SBL6S
PERFORMANCE			
Light Output	3400/2800/2000 lm (Lumen Selectable)	1700/1300/950 lm (Lumen Selectable)	3200/2600/1900 lm (Lumen Selectable)
Efficacy	149 lm/W	76 lm/W	139 lm/W
CCT	3000/4000/5000K (CCT Selectable)		
Beam Distribution	Type V - 360 Degree		
LED Lifetime (L80)	>100,000 Hrs		
CRI	74	74	75
BUG Rating	B2-U3-G2	B1-U3-G2	B2-U3-G2
ELECTRICAL			
Wattage	24/19/14W		
Voltage	120-347V		
Surge Protection	4kV (Built-in Driver) as per ANSI/C82.77-5-207		
Power Factor	>0.99		
THD	<8%		
CONSTRUCTION			
Housing	Extruded aluminum shaft, Die-cast base		
Lens	Polycarbonate		
Paint	Corrosion resistant polyester powder coating. Salt Spray tested for 1000 hours		
Height	42"	43.6"	42"
Shaft Dimension	ø 6.3"		6.3" x 6.3"
Bolt Circle Diameter	3.94"		5.57"
Weight	15.2 lbs	16.2 lbs	19.32 lbs
Ambient Operating Temperature	-40°C to 50°C		
CERTIFICATIONS			
cULus Listed for Canada and USA, per UL 1598, CSA C22.2 No. 250.0			
IK10, IP65, DLC Premium (SBL6DLV/SBL6FLV are not DLC Listed)			
CONTROLS			
0-10V Dimming (5%-100%)			
DC Dusk to Dawn Photocell			



MAX AMPERAGE DRAW (A)					
	120V	208V	240V	277V	347V
SBL6-LED24A14	0.210	0.121	0.105	0.091	0.073

LUMEN MAINTENANCE		
L90	L80	L70
54,000 Hrs	120,000 Hrs	185,000 Hrs

Life hours are derived from IESNA LM-80 testing report and projected per IESNA TM-21 calculations.

ORDERING GUIDE



Fixture	Wattage	Voltage	Colour Temp.	Beam Distribution	Finish	Dimming	Controls
SBL6F SBL6D SBL6FLV SBL6DLV SBL6S	Max 24W Min 14W	H - 120-347V	VK - Colour Selectable (3000K/ 4000K/ 5000K)	T5- 360 Degree	BRZ - Bronze	DIM - 0-10V Dimming	PC - Photocell

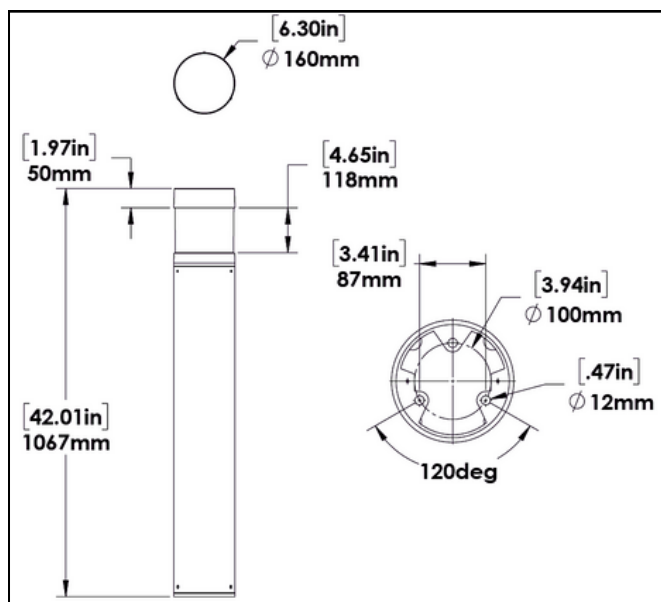
Default Setting: 24W, 4000K, Photocell ON

STOCK CODE	
081765	SBL6D-LED24A14-H-VK-T5-BRZ-DIM-PC
081764	SBL6F-LED24A14-H-VK-T5-BRZ-DIM-PC
081763	SBL6DLV-LED24A14-H-VK-T5-BRZ-DIM-PC
081762	SBL6FLV-LED24A14-H-VK-T5-BRZ-DIM-PC
081766	SBL6S-LED24A14-H-VK-T5-BRZ-DIM-PC

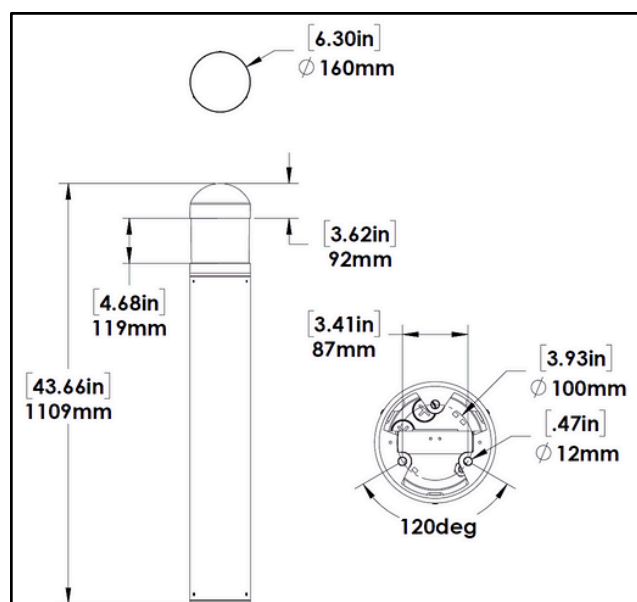
INCLUDED IN THE BOX	
	TEMPLATE
	ANCHOR BOLT SET (x3)

DIMENSIONS

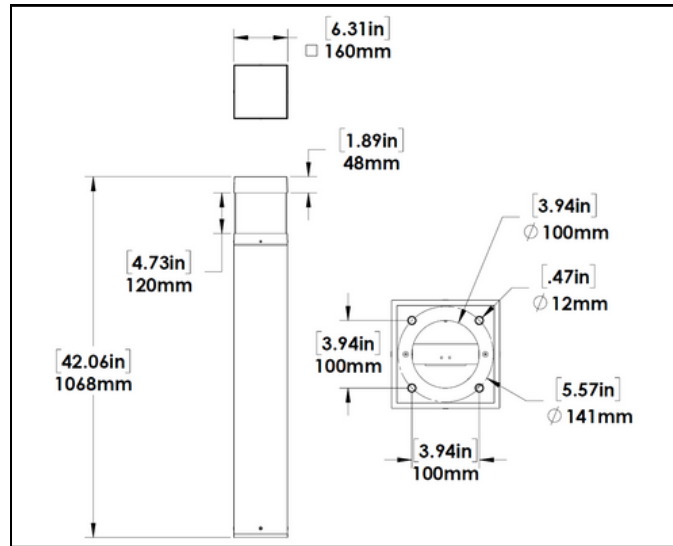
SBL6F/SBL6FLV



SBL6D/SBL6DLV

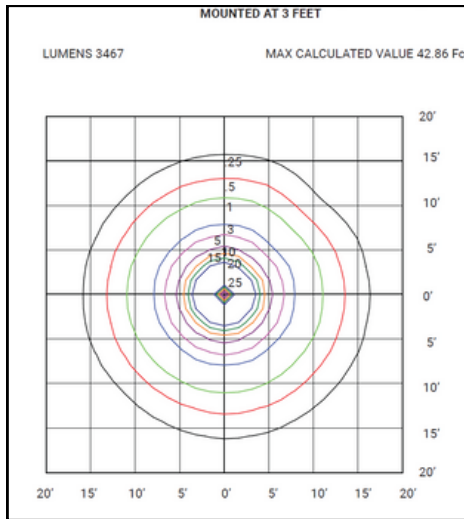


SBL6S

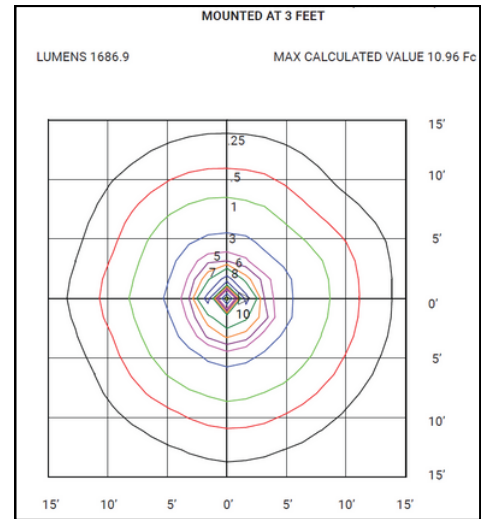


PHOTOMETRIC PLOTS

SBL6F/SBL6D (24W, 120V, 4000K)



SBL6FLV/SBL6DLV (24W, 120V, 4000K)



SBL6S (24W, 120V, 4000K)

