



AWL3S-LED120A100

Adjustable Wall Light



Adjustable Head



IDEAL APPLICATIONS

- Townhouses
- Schools
- Condos
- Commercial Properties

DESCRIPTION:

The AWLS-LED select series wall light is a colour selectable and lumen adjustable fixture with an adjustable head to direct light wherever needed. Ideal for lighting up perimeters and entrances of condos, schools, townhouses, and commercial properties.

FEATURES:

Construction

- Die Cast Aluminum housing with bronze finish and clear polycarbonate lens. Custom colour finish is also available.

Electrical

- Standard unit is available in 120-277 and 120-347 volts. Both versions have a built-in 4KV surge suppressor.
- Driver wire leads - 4.7in.

Light Performance

- Replaces 400W HID wall packs.
- Colour Selectable Fixture - Installer can choose between 3000K/4000K/5000K through a switch inside the housing.
- AWL3S-LED120A100 is a lumen adjustable unit with 3 settings at 120W, 110W, and 100W.

Controls

- Option available for Dimming High Frequency Motion Sensor (DHFS)
- Photocell is included and can be disabled/deactivated by a quick disconnect.

Mounting

- Ideal for mounting heights of over 24'. Adjustable head to direct light wherever needed. Fixture head has marked angle increments to allow for precise aiming.
- Hinge Assembly allows Installer to use both hands for wiring.
- Level bubble for quick alignment.
- 5 conduit entries; 1 on each side and 1 at the back.

SPECIFICATIONS

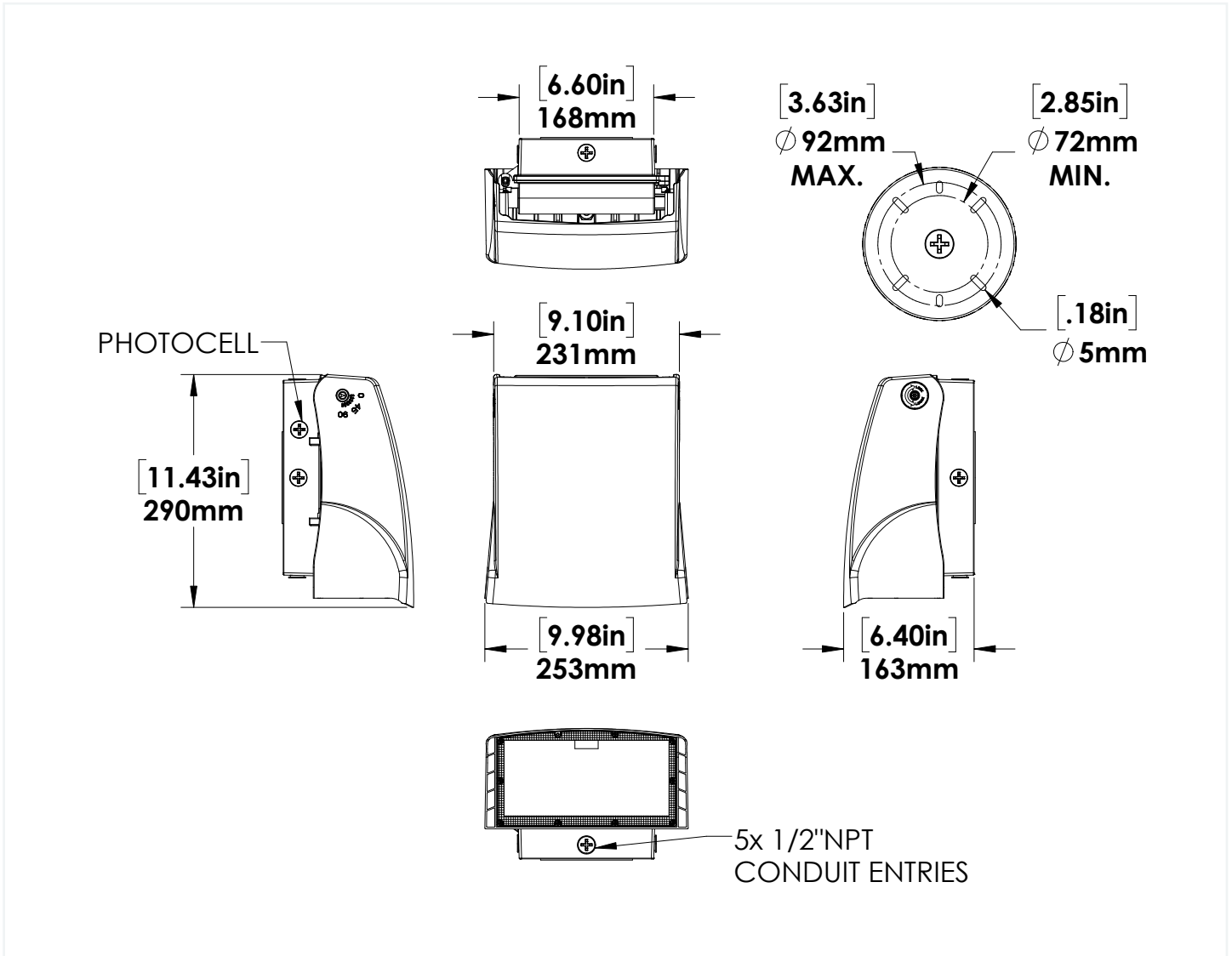
AWL3S-LED120A100

Watts (Maximum)	122.5W
Lumens (Maximum)	15,614
Efficacy (Lm/W)	127.4
Voltage	120-277V, 120-347V
Colour Temp.	VK - Colour Selectable 3000K/4000K/5000K
CRI	73
Dimming	0-10V Dimming (Range: 10%-100%)
THD	15%
PF	0.9
Beam Distribution	90° x 110°
LED Life at 100,000 Hours	81%
Housing Finish	Bronze*, Custom Colour
Housing Details	Die Cast Aluminum
Lens Details	Clear PC Lens
Number of Conduit Entries	5
Mounting	Wall Mount
Operating Temp.	-40°C to 50°C
Factory Installed Options	Dimming High Frequency Motion Sensor (DHFS), 10kV Surge Protector
Certifications	UL, Wet Location, IP65, DLC Premium

* Standard Configuration



DIMENSIONS:



AMPERAGE DRAW & SURGE PROTECTION

	CURRENT (A)					SURGE PROTECTION
	120V	208V	240V	277V	347V	120-277V 120-347V
AWL3S-LED120A100	1.05A	0.61A	0.53A	0.46A	0.37A	4kV

TM-21 ESTIMATED LUMEN MAINTENANCE

	50,000 Hours	75,000 Hours	100,000 Hours
AWL3S-LED120A100	90.1%	85.5%	81.0%

LUMEN ADJUSTABLE SETTINGS

Watts (W)	100	110	123
Lumens (Lm)	12742	14016	15614

WEIGHT (lbs)

AWL3S-LED120A100	4
------------------	---

SPECIFICATIONS

Model Number	Voltage (V)	Power (W)	Light Output (lm)	Efficacy (lm/W)	THD (%)	PF	CCT (K)	B-U-G
AWL3S-LED120A100-B-VK-XXX-DIM	120-277	123	15614	127.4	15.0	0.900	3000	3-2-2
AWL3S-LED120A100-H-VK-XXX-DIM	120-347	124	15273	123.3	15.0	0.900	3000	3-2-2

DHFS MOTION SENSOR

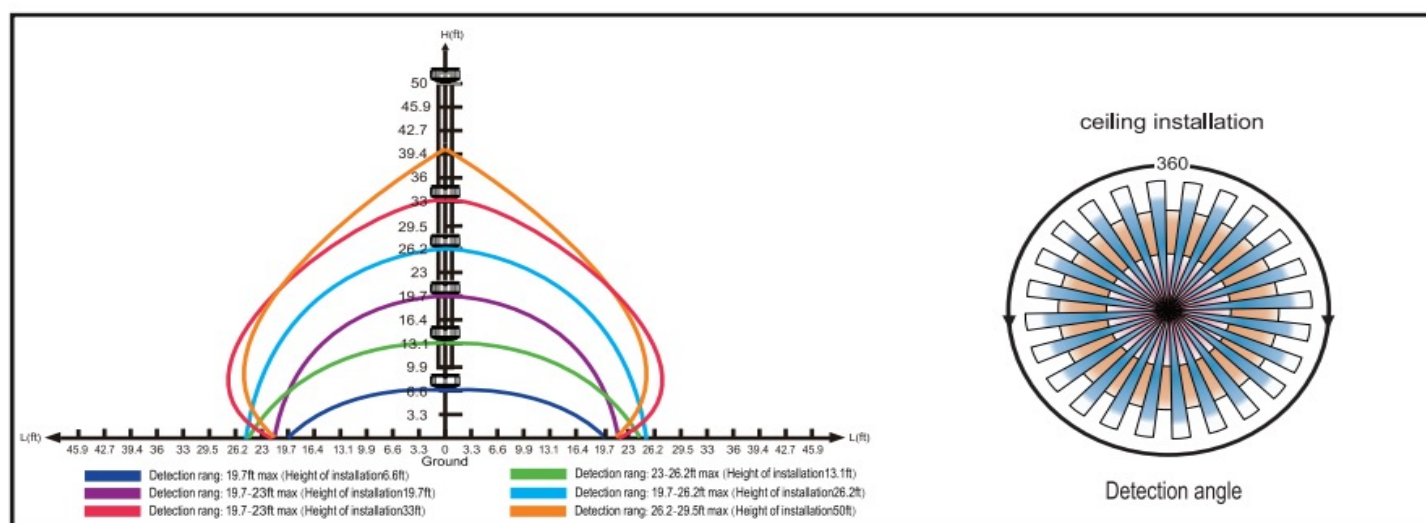
Dimming High Frequency Motion Sensor is factory installed.

DEFAULT SENSOR SETTINGS					
BRIGHTNESS	SENSITIVITY	HOLD ON TIME	DAYLIGHT SENSOR	DIMMING LEVEL	DIMMING TIME
100%	100%	5 min	☀(Disabled)	30%	60 mins

DHFS SENSOR SPECIFICATIONS	
POWER SUPPLY	12V-24VDC (12VDC PROVIDED BY THE LED DRIVER)
HF SYSTEM	5.8 GHZ ± 75MHZ
DIM CONTROL OUTPUT	0-10 VDC, MAX. 25MA SINKING CURRENT
DETECTION RADIUS/ANGLE	MAX 26FT (8M) /360°
MOUNTING HEIGHT	MAX 40FT
REMOTE RANGE	50 FT (15M) INDOOR, NO BACKLIGHT
HUMIDITY	MAX. 95% RH
TEMPERATURE	-40°F TO 158°F (-40°C TO 70°C)
OPTIONS	BUILT-IN DAYLIGHT SENSOR THAT CAN BE TURNED ON USING RC-100 REMOTE

NOTE: ONCE DEVICE IS POWERED, THE SENSOR WILL USE FACTORY DEFAULT SETTINGS. IF ADJUSTMENTS ARE NEEDED, RC100 WIRELESS IR CONFIGURATION TOOL MUST BE USED

DHFS DETECTION RANGE & RADIUS/ANGLE



RC100 REMOTE SPECIFICATIONS

FEATURES



BRIGHTNESS:
Sets the highest light fixture brightness when motion is detected.

SENSITIVITY:
Sets the sensitivity to which the sensor will detect motion.

HOLD TIME:
The time the light fixture will remain at the brightness setting after it detects motion..

DAYLIGHT SENSOR:
The lux setting that the light fixture will turn on/off. If the ambient lux is more than the defined lux setting, the fixture & sensor function will turn off and remain off until the ambient lux is below the setting. To disable the lux sensor, select the SUN icon. To set the lux to match current room conditions, select the EYE icon.

STAND-BY DIM:
The Dim level that the light fixture will dim down after the Hold Time has expired.

To disable dimming and only have ON/OFF, select the 0% icon.

STAND-BY TIME:
The time the light fixture will remain in the dim down state before it shuts off. To disable the light from shutting off, select the INFINITY icon.

RC100 REMOTE CONTROL SPECIFICATION

Power Supply	2 x AAA 1.5V Batteries
Communication Protocol	940 nm Infrared Tx & Rx
Communication Range	Up to 15m (50 ft)
Operating Temp.	0 °C to 50°C (32°F to 122°F)
Dimensions	123x70x20.3mm (4.84"x2.76"x0.8")

KEY	FUNCTION
-----	----------



Light fixture will be set to permanently stay ON or OFF. Must press AUTO button to go back to sensor mode.



Displays the current remote-control parameters.



Navigate through the remote-control parameters and sets them to the desired settings.

NOTE: These settings are not yet set on the light fixture sensor. The remote needs to be pointed at the light fixture sensor, and the SEND button needs to be pushed.



Uploads the selected remote-control parameters to the light fixture sensor. The light fixture will turn on and off as confirmation the new settings have been set.



Light fixture sensor is set to sensor mode with the last sent parameters. This must be pressed to exit the ON/OFF setting.



Resets the light fixture sensor parameters. Default Settings

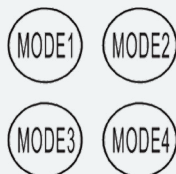
BRIGHTNESS	SENSITIVITY	HOLD TIME	DAYLIGHT SENSOR	STAND-BY DIM	STAND-BY TIME
100%	100%	5 minutes	Disabled	DIM: 30%	60 minutes



For Testing sensitivity only. The Standby period and daylight sensor are disabled in this mode. Must press AUTO button to go back to sensor mode.



Photocell Function: If this function is turned on, it is set to a specific lux setting (10, 30, 50, 100, 300, 500). When the lux level exceeds this setting, the sensor will wait and monitor for 1 minute to confirm the lux level is not temporary. After 1 minute, the lights will turn off even when the space is occupied. When the lux level goes below this setting, the light will turn on and remain on without any detected motion. This feature is disabled by default and is intended for outdoor use only.



Four modes are available with pre-set parameters. Any mode can be customized by following the steps below:

1. Select mode 1, 2, 3, or 4.
2. press the ARROW BUTTONS to choose the new parameters.
3. Select OK to confirm the new settings on that mode.

NOTE: These settings are not yet set on the light fixture sensor. The remote needs to be pointed at the light fixture sensor, and the SEND button needs to be pushed.

NOTE: Modes 2, 3, and 4 all have the same default settings. See instructions to change defaults.

MODE DEFAULT SETTINGS	BRIGHTNESS	SENSITIVITY	HOLD TIME	DAYLIGHT SENSOR	STAND-BY DIM	STAND-BY TIME
MODE1	100%	100%	5 minutes	Disabled	DIM: 30%	Disabled



70% 20% 10 seconds Disabled 0% Disabled



ORDERING GUIDE:

AWL3S	LED120A100		VK		DIM		
Wattage	Voltage	Colour Temp.	Finish	Dimming	Controls	Options	
LED120A100	B - 120-277V H - 120-347V	VK - SELECTABLE 3K/4K/5K	BRZ - BRONZE* CC - CUSTOM COLOUR	DIM - 0-10V DIMMING	PC - PHOTOCELL* DHFS - Dimming High Frequency Motion Sensor	BLANK SP10 - 10kV SURGE PROTECTION	

*Standard Configuration

Note: Reach out to our Customer success team for custom 2200K CCT offering

STOCK CODE	DESCRIPTION
080850	AWL3S-LED120A100-B-VK-BRZ-DIM-PC
080847	AWL3S-LED120A100-H-VK-BRZ-DIM-PC