



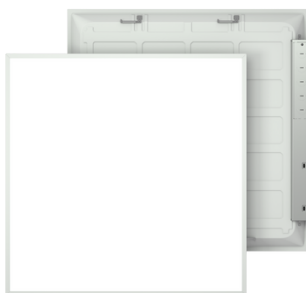
ECPL-LED

Indoor Ceiling Light

ECPL14



ECPL22



ECPL24



Frameless design along with lumen selectable, CCT selectable and wide voltage features. These highly-efficient LED panels provide uniform light distribution, high performance, and low glare.

IDEAL APPLICATIONS

- ✓ Offices
- ✓ Schools
- ✓ Retail Spaces

SPECIFICATIONS

	ECPL14	ECPL22	ECPL24
PERFORMANCE			
Light Output (Lumen Selectable)	5000/3750/2500lm	5000/3750/2500lm	6250/5000/3750lm
Efficacy	125lm/W		
CCT	3500/4000/5000K (CCT Selectable)		
Beam Angle	120°		
LED Lifetime(L80)	>60,000 Hrs		
CRI	82		
ELECTRICAL			
Wattage	40/30/20W	40/30/20W	50/40/30W
Voltage	120-347V		
Surge Protection	1kV (Built-in Driver) as per IEC/EN61000-4-5		
Power Factor	0.96		
THD	12%		
CONSTRUCTION			
Housing	Die-formed Steel		
Lens	PMMA lens over LED chips, opaque diffuser		
Finish	White		
AMBIENT OPERATING TEMPERATURE			
-20°C to 40°C (-4° F to 104° F)			
MOUNTING			
Recessed in T-bar grid ceiling with integral earthquake clips			
Surface mount and suspension mount cable kit sold separately			
CERTIFICATIONS			
cULus Listed for Canada and USA, per UL 1598 & CSA C22.2 No. 250.0			
DLC Premium, IP20			
CONTROLS			
0-10V Dimming (Dim to Off)			

MAX AMPERAGE DRAW (A)

	120V	208V	240V	277V	347V
ECPL14	0.35	0.2	0.17	0.15	0.12
ECPL22	0.35	0.2	0.17	0.15	0.12
ECPL24	0.44	0.26	0.22	0.19	0.15

LUMEN MAINTENANCE

L90	L80	L70
52,000 Hrs	> 60,000 Hrs	> 60,000 Hrs

Life hours are derived from IESNA LM-80 testing report and projected per IESNA TM-21 calculations.

All reported values were tested at 120V and 3500K and shown for the highest lumen setting.

Default Setting: Highest wattage and 4000K



ORDERING GUIDE



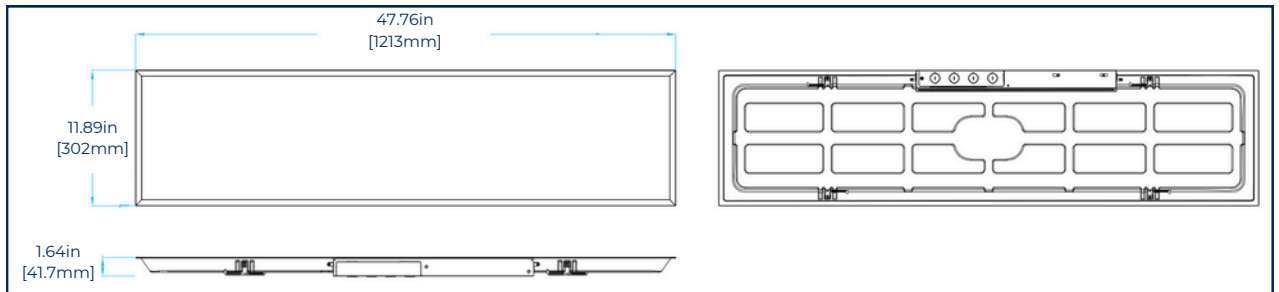
Fixture	Wattage	Voltage	Colour Temp.	Dimming
ECPL14	LED40A20	H - 120-347V	VK - Colour Selectable (3500K/ 4000K/ 5000K)	DIM - 0-10V Dimming
ECPL22	LED40A20			
ECPL24	LED50A30			

STOCK CODES	
033314	ECPL14-LED40A20-H-VK-DIM
033322	ECPL22-LED40A20-H-VK-DIM
033324	ECPL24-LED50A30-H-VK-DIM

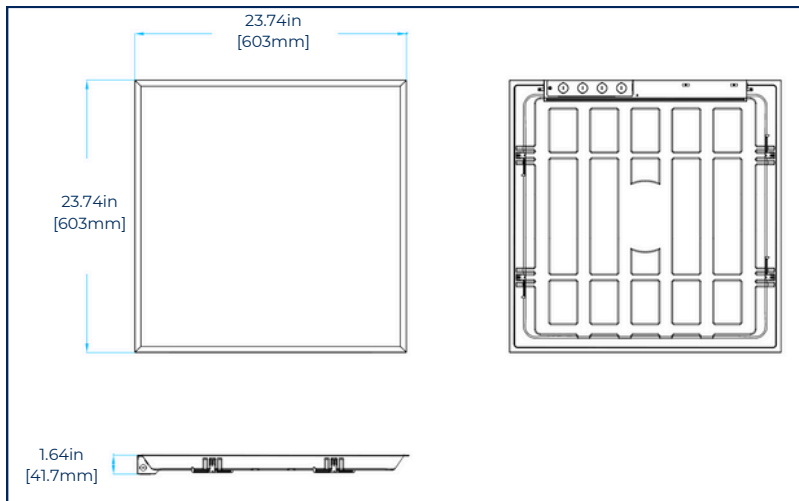
ACCESSORIES SOLD SEPARATELY	
071403	SURFACE MOUNT KIT F/BACKLIT CPL14 & ECPL14-3" H
072203	SURFACE MOUNT KIT F/BACKLIT CPL22 & ECPL22-3" H
072403	SURFACE MOUNT KIT F/BACKLIT CPL24 & ECPL24-3" H
070015	2 CABLE SUSPENSION MOUNT KIT F/ECPL
070016	WIRING COMPARTMENT- 8.88" L X 2.44" W X 1.24" H

DIMENSIONS

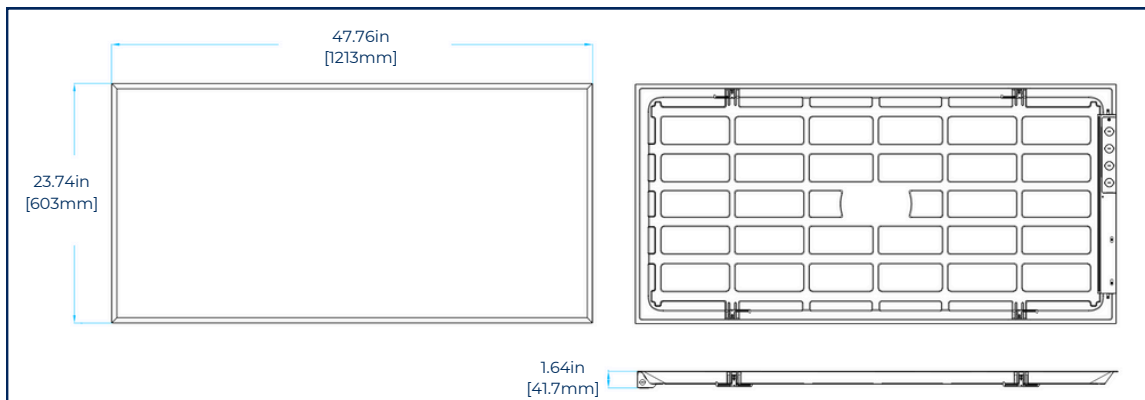
ECPL14



ECPL22

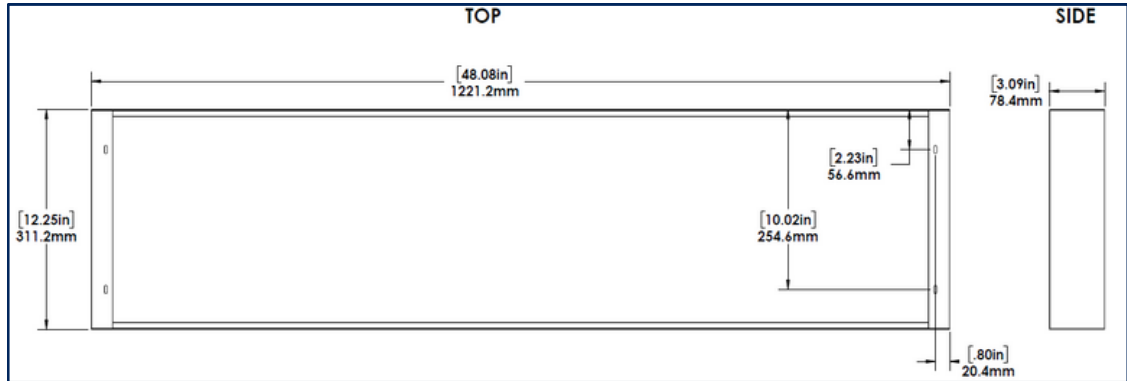


ECPL24

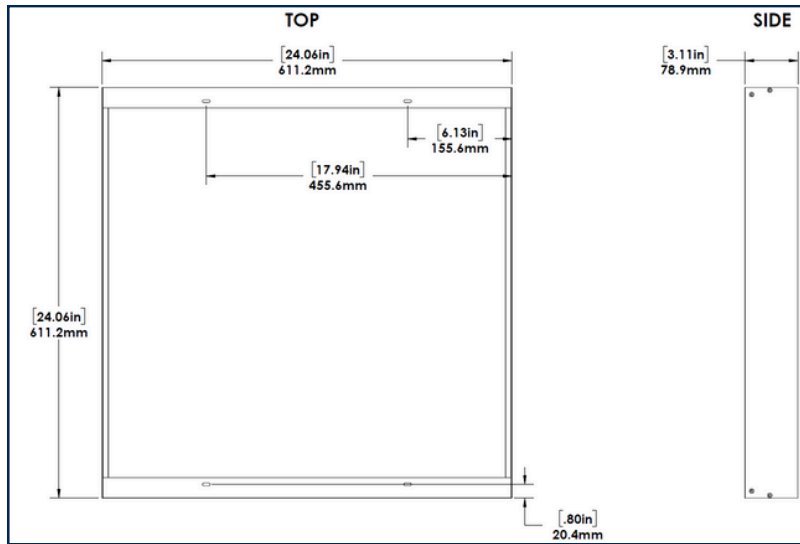


SURFACE MOUNT KITS

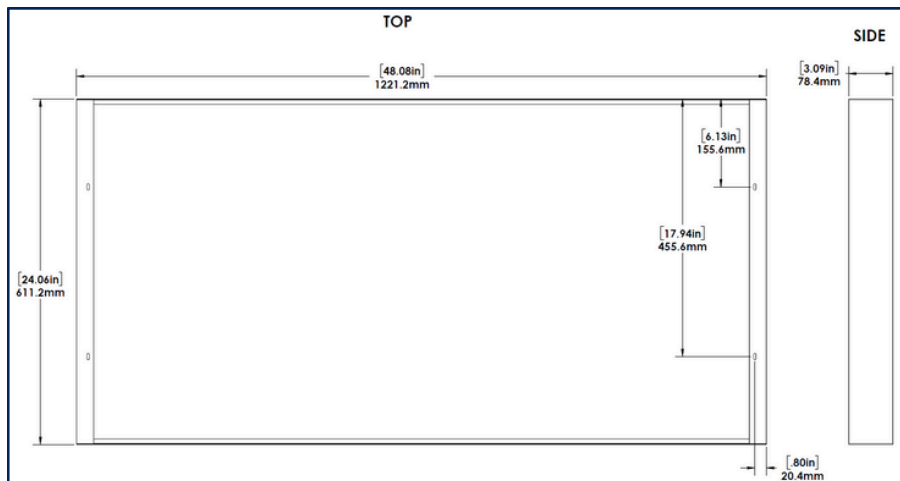
ECPL14



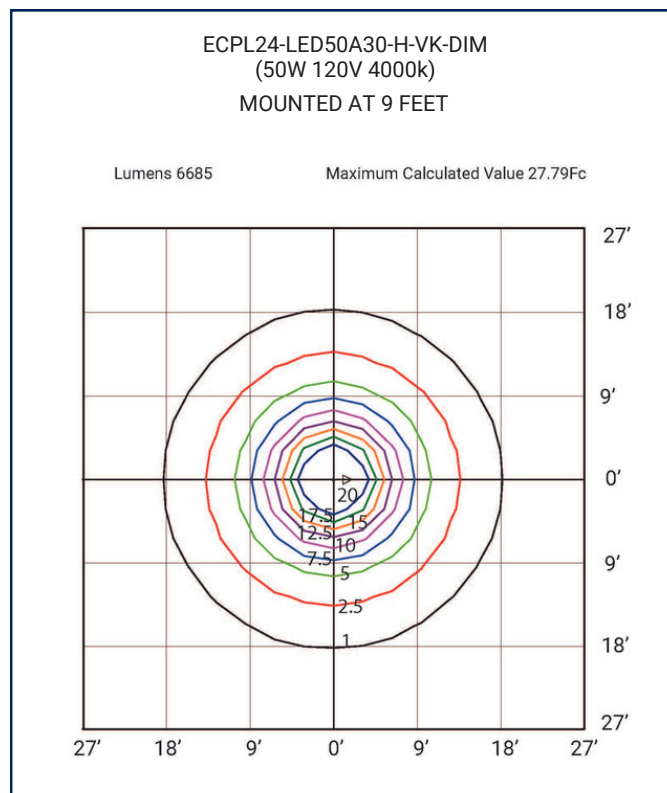
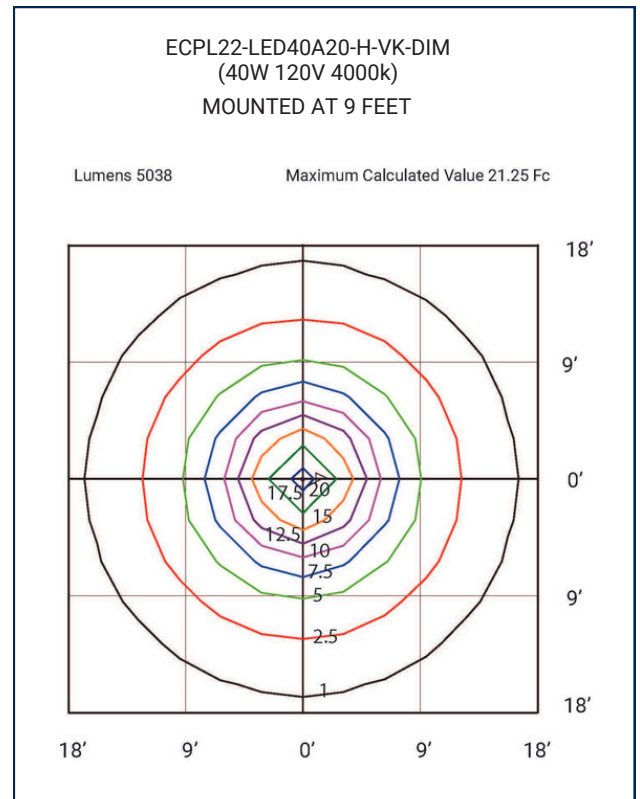
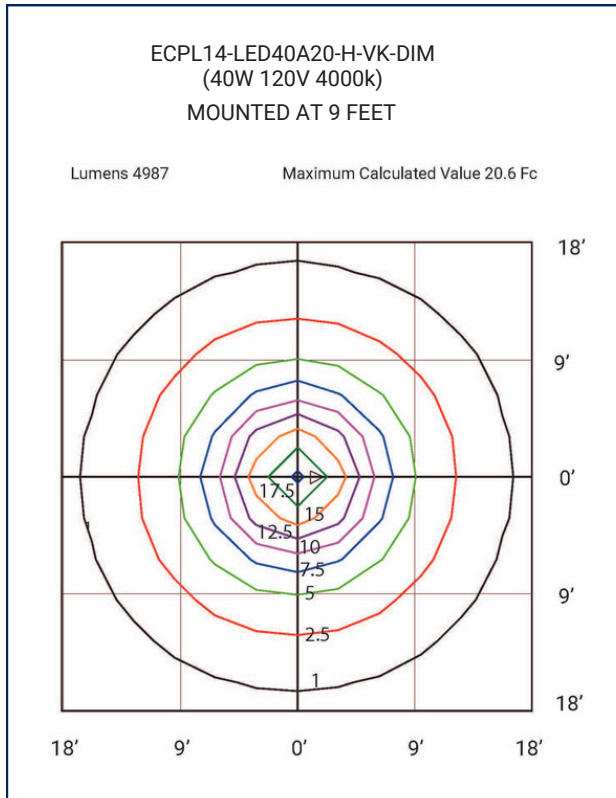
ECPL22



ECPL24



PHOTOMETRIC PLOTS



NOTE: Photometric plots are shown at the maximum lumen setting, 120V and 4000K.