



LFY4-LED

Linear Vapourproof



Introducing our linear vapourproof LED fixture, designed for versatility and durability in demanding environments. With adjustable lumen and color temperature settings and wide voltage range ensures compatibility to suit application in industrial and commercial spaces. The fixture combines rugged construction and contractor friendly installation and advanced features to deliver reliable, tailored illumination.

IDEAL APPLICATIONS

- ✔ **Food processing & Storage**
- ✔ **Live stock barns**
- ✔ **Agricultural applications**
- ✔ **Underground Parking Garages**
- ✔ **Warehouse**
- ✔ **Industrial application**

SPECIFICATIONS

	LFY4-LED40A20	LFY4-LED60A40
PERFORMANCE		
Light Output	6400/4300/2850lm	9100/7550/6000lm
Efficacy	144lm/W	151lm/W
CCT	CCT Selectable - 3500K/4000K/5000K	
Beam Angle	113°	
CRI	84	
Replaces Up To	2 Lamp T8	2 Lamp T5HO
EELECTRICAL		
Wattage	41/30/20W	
Voltage	120-347V	
Surge Protection	2kV (Built-in Driver) as per IEC/EN 61000-4-5	
Power Factor	>0.96	
THD	<17%	
Dimming	0-10V (Continuous dimming to 10% or below)	
LED Life (L80)	100,000 Hrs	
Battery Backup	8W Battery Back Up (Optional)	
CONTROLS		
Multifunction Sensor	Dimming High Frequency Motion Sensor	
AMBIENT OPERATING TEMPERATURE		
Fixture	-40°C to 40°C (-40°F to +104°F)	
With Battery Back Up	10°C to +40°C (50°F to +104°F)	
With Motion Sensor	-40°C to 40°C (-40°F to +104°F)	
MOUNTING		
Surface/Ceiling Mount		
Adjustable Stainless Steel Surface Mount Clips included in the box		

	LFY4-LED40A20	LFY4-LED60A40
CONSTRUCTION		
Multifunction Sensor	Dimming High Frequency Motion Sensor	
Housing	Polycarbonate; 5VA Flamability rated as per UL94; Outdoor rated (fI) as per UL746C	
Lens	Frosted Polycarbonate; Outdoor rated (fI) as per UL746C	
Clips	Stainless Steel Clips (8x)	
Finish	Grey	
Predrilled Conduit Entries	Two (one at each end); Fits PG 13.5 cable gland; suitable for upto 5X18AWG Service Cables	
Guide Mark	One at Center from inside; Two adjacent to the center pilot hole	
Electrical Cable lengths	1' input LED driver cable length	
CERTIFICATIONS		
cETLus certified per UL1598 & CSA C22.2 NO. 250.0:21, DLC Premium, DLC Standard		
Wet Location, IP66, NEMA4X, NSF, IK10		
DEFAULT SETTINGS		
CCT	4000K	
Wattage	41W	60W

Note:

Electrical and Light Performance data is based on LM79 test report at 4000K and 120V.



ORDERING GUIDE



Fixture	Wattage	Voltage	Colour Temp.	Dimming	Motion Sensor	Emergency Battery Backup
LFY4	LED40A20 LED60A40	H - 120-347V	VK- CCT Selectable - 3500K/4000K/5000K	DIM - 0 -10V Dimming	Blank* - No Motion Sensor DHFS- Dimming High Frequency Motion Sensor	Blank* - Emergency Battery Back Up BBK8 - 8W Battery Back Up

STOCK CODE	
086640	LFY4-LED40A20-H-VK-DIM
086641	LFY4-LED40A20-H-VK-DIM-DHFS
086660	LFY4-LED60A40-H-VK-DIM
086661	LFY4-LED60A40-H-VK-DIM-DHFS

INCLUDED IN THE BOX	
<p>SURFACE MOUNT INSTALLATION ACCESSORIES (2X)</p>	

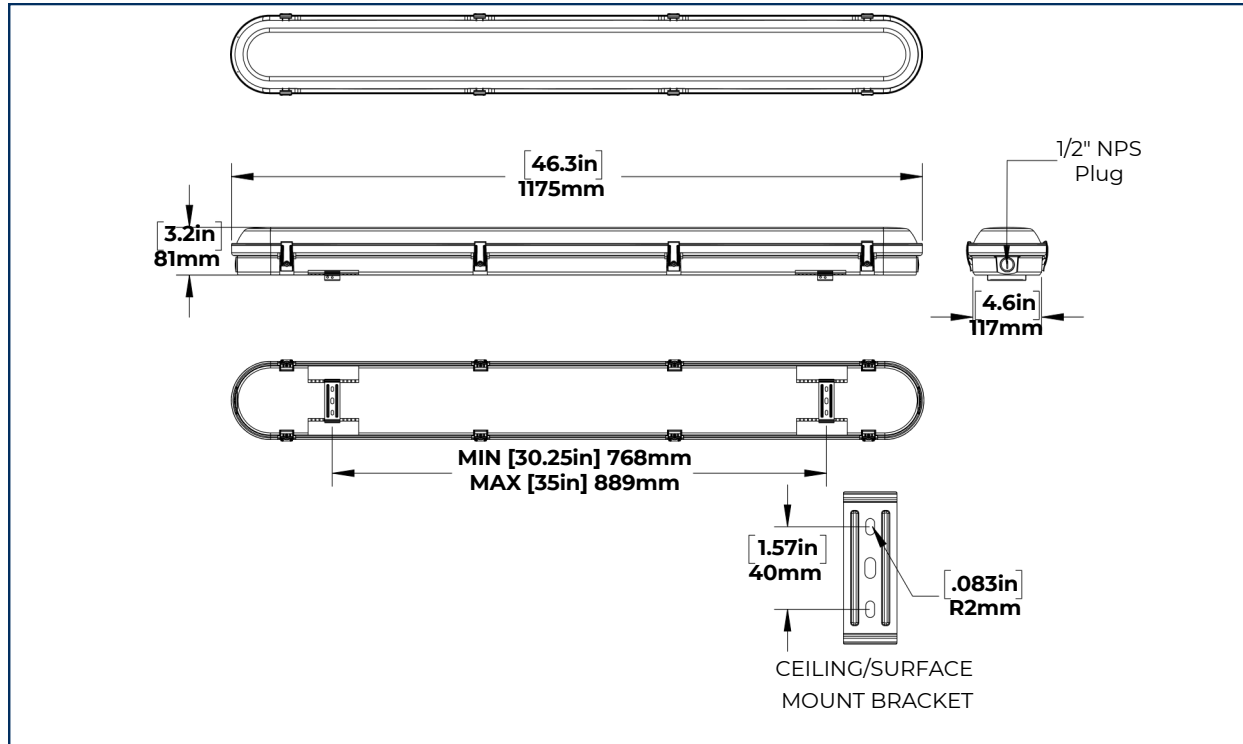
ACCESSORY SOLD SEPARATELY		
087016	RC-100 MOTION SENSOR REMOTE CONTROL	

MAX AMPERAGE DRAW (A)					
	120V	208V	240V	277V	347V
LFY4-LED40A20	0.359	0.207	0.179	0.155	0.124
LFY4-LED60A40	0.525	0.303	0.263	0.227	0.182

LUMEN MAINTENANCE			
	L90	L80	L70
LFY4-LED40A20	55,000 Hrs	100,000 Hrs	170,000 Hrs
LFY4-LED60A40	52,000 Hrs	100,000 Hrs	170,000 Hrs

Life hours are derived from IESNA LM-80 testing report and projected per IESNA TM-21 calculations.

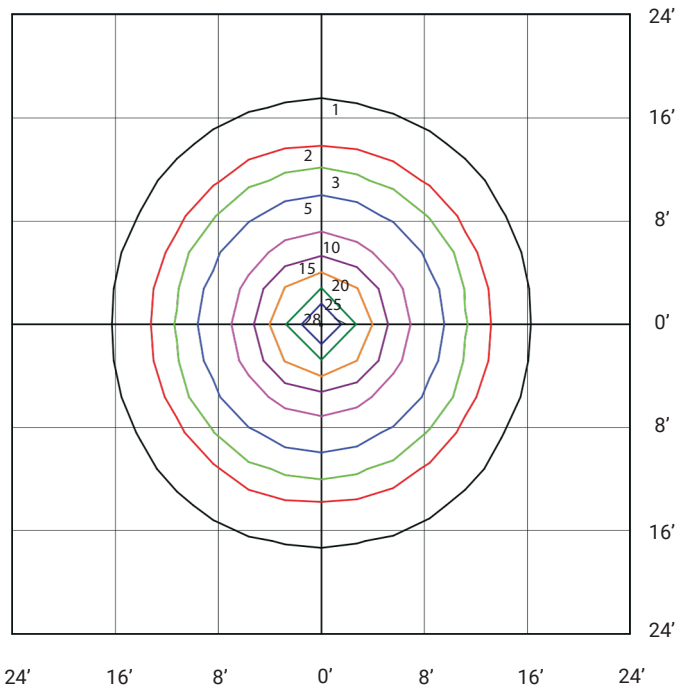
DIMENSIONS



PHOTOMETRIC PLOTS

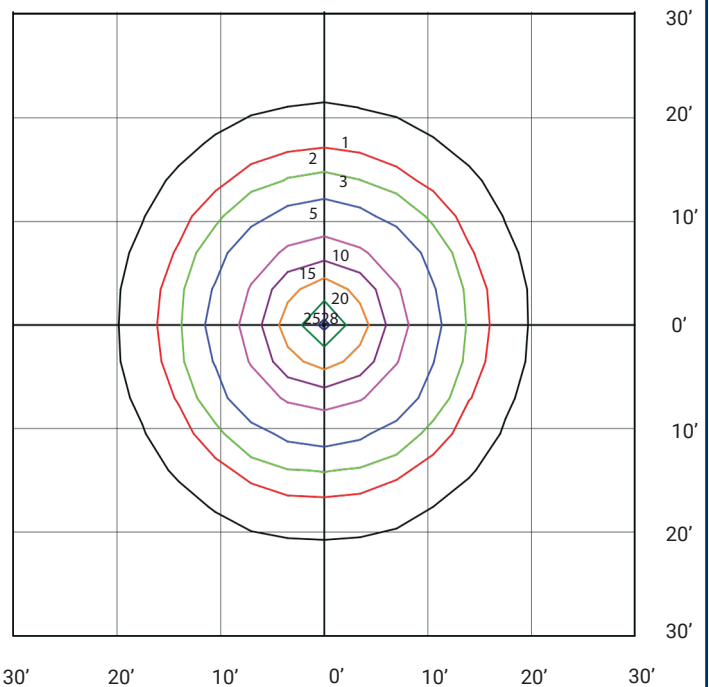
LFY4-LED40A20-H-VK-DIM (5000K 120V)
MOUNTED AT 8 FEET

LUMENS 6035 MAX CALCULATED VALUE 30.35Fc



LFY4-LED60A40-H-VK-DIM (5000K 120V)
MOUNTED AT 10 FEET

LUMENS 8839 MAX CALCULATED VALUE 28.29Fc



MOTION SENSOR SPECIFICATIONS

Maximum Mounting Height/Range	
Maximum Detection Angle	360°
Recommended Mounting Height	8ft to 12ft
Sensor Detection Range	26ft at 8ft mounting

DEFAULT MOTION SENSOR SETTINGS

BRIGHTNESS	SENSITIVITY	HOLD TIME	DAYLIGHT SENSOR	STAND-BY DIM	STAND-BY TIME
100%	100%	10 Seconds	Disabled	DIM: 50%	60 minutes

Note: * Applicable to light fixtures with Motion Sensors (DHFS)

EMERGENCY BATTERY BACKUP SPECIFICATIONS

Rated Input Voltage	100-347 VAC, 50/60HZ
Input current	20-100mA
Input power	8W
Power Factor	0.6 @ 100VAC, 0.5 @347 VAC
Output Power (Emergency Mode)	9W±10%, Constant Power
Recharge Current	0-200mA
Recharge Time	24 Hours
Discharge Time	90 Minutes
Maximum Case Temperature	70°C
Ambient Operating Temperature	10°C-60°C

Note:

Lumen output with emergency battery backup can be calculated by multiplying battery power output with efficacy of fixture.