



CYLUX-LED

Outdoor & Indoor Cylinder Light



The CYLUX-LED cylinder light family provides versatile lighting solutions with a range of sizes and mounting options, including wall, ceiling, and suspended mounts. It offers easy field selection for uplight and downlight configurations, along with adjustable color temperatures. Each fixture includes various beam options, making it perfect for architectural applications. Designed for both indoor and outdoor use, CYLUX is suitable for dry, damp, and wet environments.

IDEAL APPLICATIONS

- ✔ Condos
- ✔ Townhouses
- ✔ Retail
- ✔ Perimeter Lighting
- ✔ Auditoriums
- ✔ Offices

SPECIFICATIONS

	CYLUX3	CYLUX4	CYLUX6
PERFORMANCE			
Diameter	3"	4"	6"
Light Output	1070 lm	1840 lm	5000 lm
Efficacy	90 lm/W	100 lm/W	143 lm/W
CCT	CCT Selectable - 3000K/4000K/5000K		
Beam Angle	30° and 45° Standard (30° comes default and 45° additional in the box), 75° Optional		
CRI	>80		
ELECTRICAL			
Wattage	13W	20W	35W
Voltage	120V - 347V		
Surge Protection (as per IEC/EN61000-4-5)	4kV	4kV	6kV
THD	10%		
Power Factor	0.9		
Dimming	0-10v (Dim to Off)		
LED Life (L80)	>60,000 hrs		
CONSTRUCTION			
Housing	Extruded Aluminum		
Lens	Frosted Glass		
Housing Finish	Matte Black, White, Custom Finish		
Weight	3.5 lb (1.5kg)	4.4 lb (2.0 kg)	6.6 lb (2.9 kg)
Cable Length	4 ft		
AMBIENT OPERATING TEMPERATURE			
-40°C to 40°C (-40°F to + 104°F)			
MOUNTING			
Wall mount/ Ceiling Mount/ Pendant Mount			
CERTIFICATIONS			
cULus Certified as per UL1598 & CSA C22.2 NO.250.0:21., Wet Location (Wall mount only)			
CONTROLS			
Photocell (Wall mount only)			

Note: Electrical and Light Performance data is based on LM79 test report at 4000K and 120V



ORDERING GUIDE



Fixture	Wattage	Voltage	Colour Temp.	Beam	Finish	Dimming	Controls	Mounting
CYLUX3	LED13	H - 120-347V	VK - CCT Selectable - 3000K/4000K/5000K	CD- Changeable Distribution (N-30°, M-45°)	BLK - Black	DIM - 0-10V Dimming	PC - Photocell	WM - Wall Mount
CYLUX4	LED20				WHT - White		Blank	CM -Ceiling Mount*
CYLUX6	LED35			W - Wide (75°)	CST- Custom Colour			

*Ceiling mount can be used as suspension mount without pendant stem

*Pendant stem to be ordered separately for pendant mounting

Default Setting: Highest Wattage, 4000K and 100% downlight

STOCK CODE

087339	CYLUX3-LED13-H-VK-CD-BLK-DIM-PC-WM		087340	CYLUX3-LED13-H-VK-CD-BLK-DIM-CM	
087342	CYLUX4-LED20-H-VK-CD-BLK-DIM-PC-WM		087343	CYLUX4-LED20-H-VK-CD-BLK-DIM-CM	
087345	CYLUX6-LED35-H-VK-CD-BLK-DIM-PC-WM		087346	CYLUX6-LED35-H-VK-CD-BLK-DIM-CM	

ACCESSORIES SOLD SEPARATELY

087353	4 x 12" BLK - PENDANT STEM	
--------	----------------------------	--

INCLUDED IN THE BOX

45° BEAM REFLECTOR	
--------------------	--

MAX AMPERAGE DRAW (A)					
	120V	208V	240V	277V	347V
CYLUX3-LED13	0.114	0.066	0.057	0.049	0.039
CYLUX4-LED20	0.175	0.101	0.088	0.076	0.061
CYLUX6-LED35	0.306	0.177	0.153	0.133	0.106

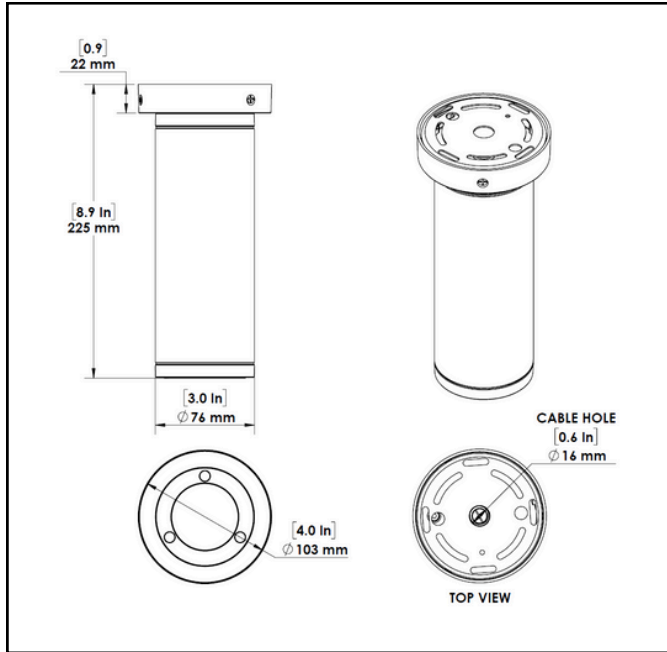
LUMEN MAINTENANCE (Hours)			
	L90	L80	L70
CYLUX3-LED13	>46000	>60000	>60000
CYLUX4-LED20	>48000	>60000	>60000
CYLUX6-LED35	>45000	>54000	>54000

Note: Life hours are derived from IESNA LM-80 testing report and projected per IESNA TM-21 calculations.

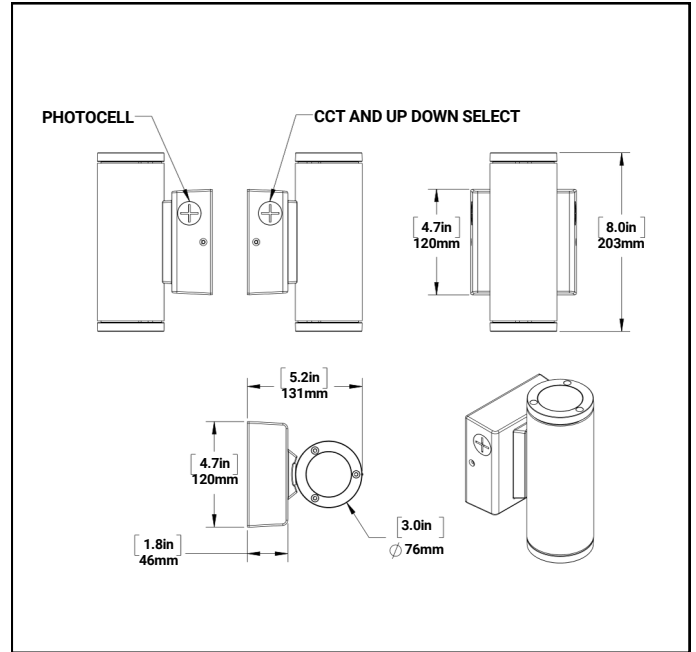
TOTAL LUMENS							
	Wattage (W)	0% Uplight-100% Downlight		50% Uplight - 50% Downlight		100% Uplight - 0% Downlight	
		Uplight (lm)	Downlight (lm)	Uplight (lm)	Downlight (lm)	Uplight (lm)	Downlight (lm)
CYLUX3-LED13	13	0	1070	535	535	1070	0
CYLUX4-LED20	20	0	1840	920	920	1840	0
CYLUX6-LED35	35	0	5000	2500	2500	5000	0

DIMENSIONS

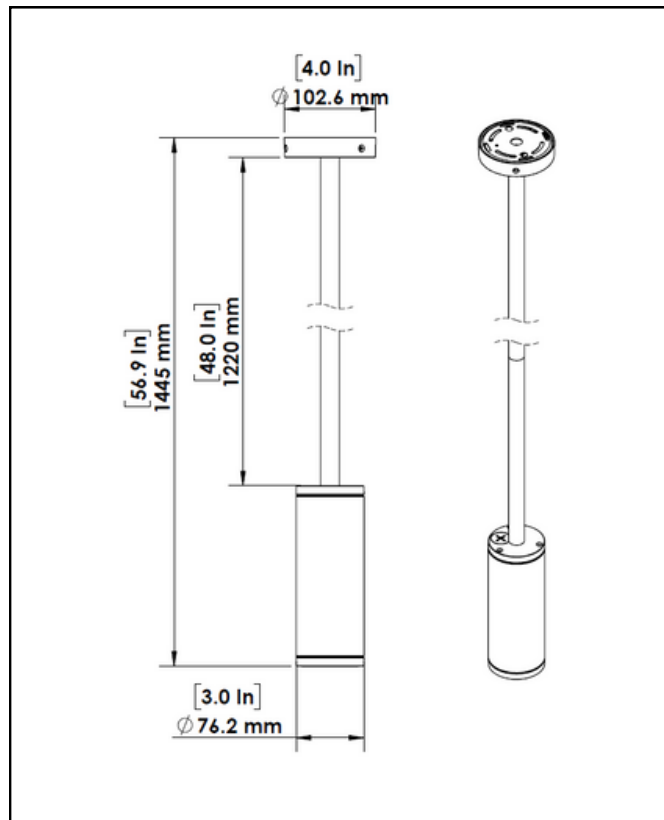
CYLUX3-CEILING MOUNT



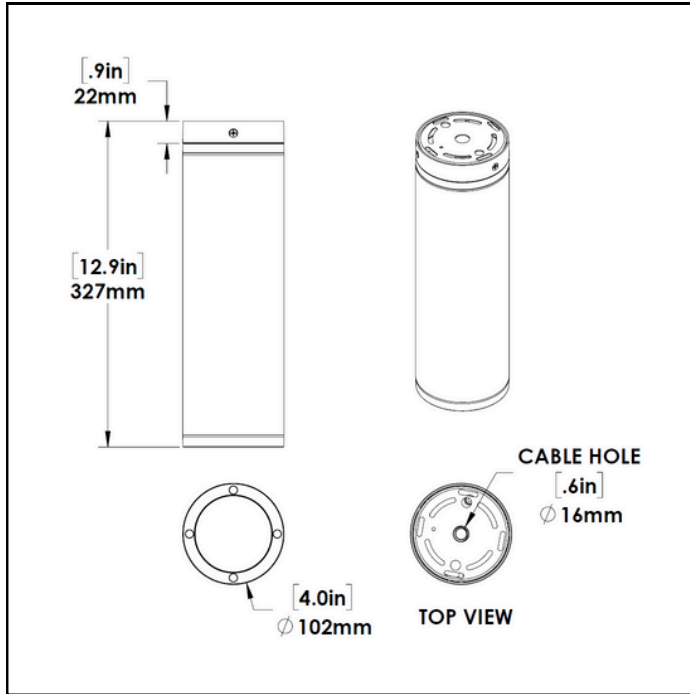
CYLUX3-WALL MOUNT



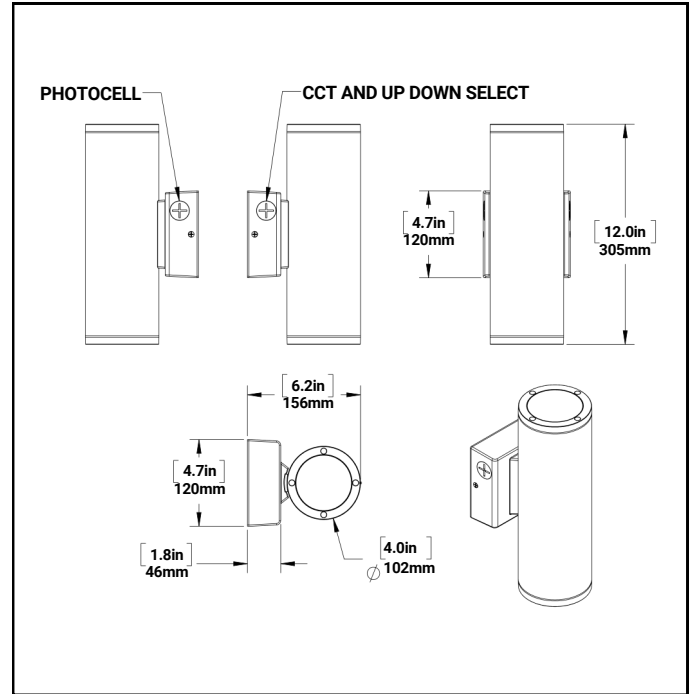
CYLUX3- PENDANT MOUNT



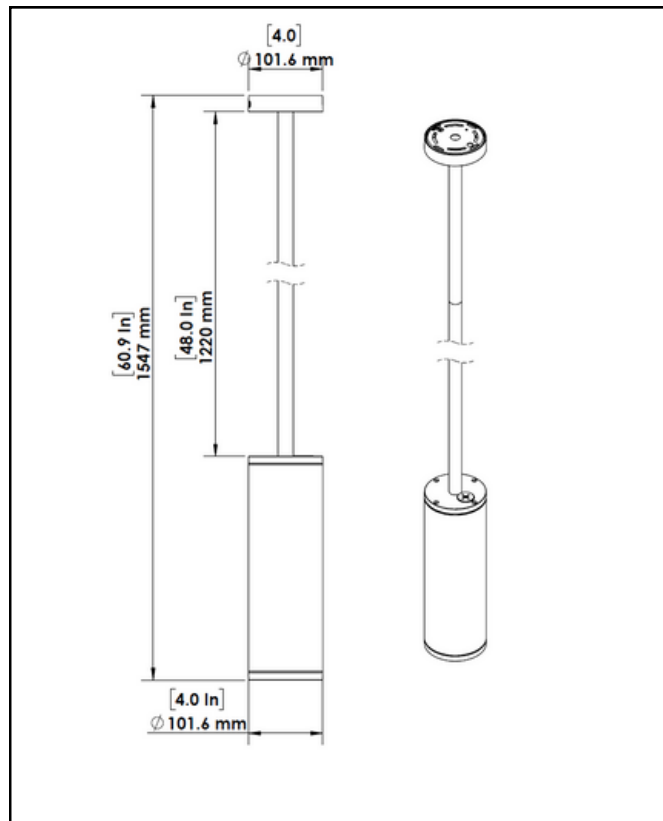
CYLUX4-CEILING MOUNT



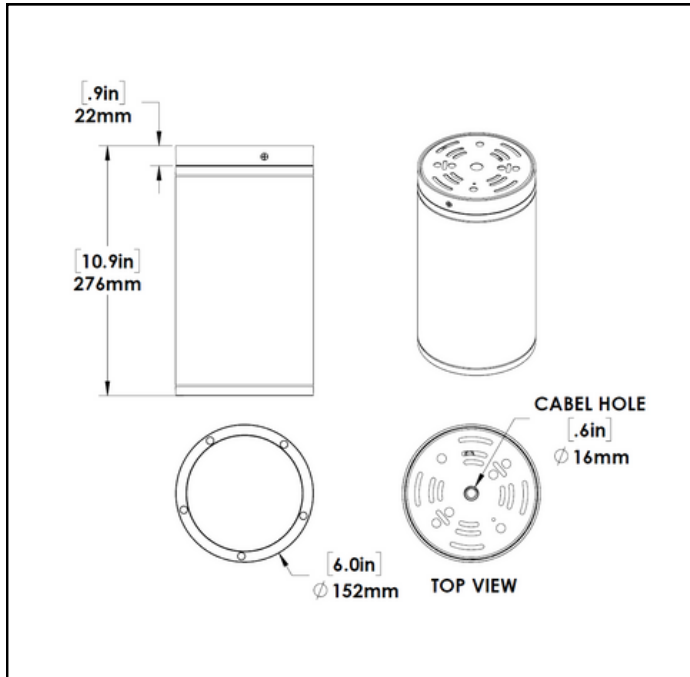
CYLUX4-WALL MOUNT



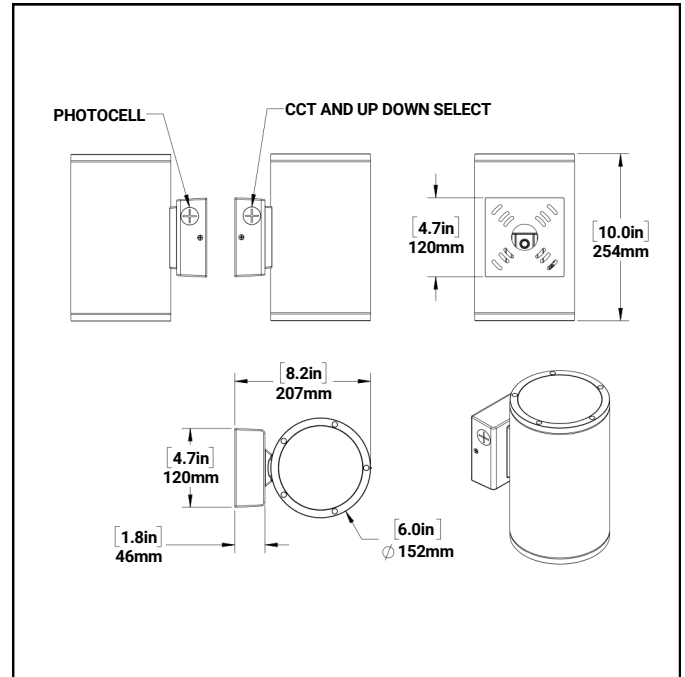
CYLUX4- PENDANT MOUNT



CYLUX6-CEILING MOUNT



CYLUX6-WALL MOUNT



CYLUX6- PENDANT MOUNT

