

RAB[®]

DESIGN



VP4-LED

Narrow Linear Vapourproof

The VP4 is a four foot linear vapourproof fixture with color temperature selectability and wide voltage range ensuring compatibility to suit application in parking garages, industrial, commercial spaces. The fixture combines rugged construction with advanced features to deliver reliable, tailored illumination

IDEAL APPLICATIONS



Industrial Application



Underground Parking Garages



Warehouse

SPECIFICATIONS

PERFORMANCE	
Light Output	4900lm
Efficacy	142lm/W
CCT	CCT Selectable - 3500K/4000K/5000K
Beam Distribution	120°
Replaces Up To	2 Lamp T8
CRI	84

ELECTRICAL	
Wattage	35W
Voltage	120-347V
Surge Protection	2kV (Built-in Driver) as per IEC/EN 61000-4-5
Power Factor	>0.9
THD	<17%
Battery Back up	8W Battery Back Up (Optional)

AMBIENT OPERATING TEMPERATURE	
Fixture	-30°C to 40°C (-22°F to +104°F)
With Battery Back Up	10°C to +40°C (50°F to +104°F)
With Motion Sensor	-30°C to 40°C (-22°F to +104°F)

CONSTRUCTION	
Housing	Polycarbonate
Lens	Frosted Polycarbonate
Clips	Polycarbonate (x10) Clips (Standard) Stainless Steel Clips (Sold Separately)
Finish	Grey
Predrilled Conduit Entries	Two 1/2" (one at each end)
Fixture Weight	4.2lbs (1.9kg)

CONTROLS	
Multifunction Sensor	Dimming High Frequency Motion Sensor

MOUNTING	
Surface/Ceiling Mount	
Adjustable Stainless Steel Surface Mount Clips included in the box	

CERTIFICATIONS	
cETLus certified per UL1598 & CSA C22.2 NO. 250.0:21, DLC Premium, DLC Standard, Wet Location, IP65, IK10	

DEFAULT SETTING	
CCT	4000K

LUMEN MAINTENANCE		
L90	L80	L70
88,000 Hrs	160,000 Hrs	250,000 Hrs

MAX AMPERAGE DRAW (A)				
120V	208V	240V	277V	347V
0.306	0.177	0.153	0.133	0.106

Note:

- Life hours are derived from IESNA LM-80 testing report and projected per IESNA TM-21 calculations.
- Electrical and Light Performance data is based on LM79 test report at 4000K and 120V.



ORDERING GUIDE



Fixture	Wattage	Voltage	Colour Temp.	Dimming	Motion Sensor	Emergency Battery Backup
VP4	LED35	H - 120-347V	VK- CCT Selectable - 3500K/4000K/ 5000K	DIM - 0 -10V Dimming	Blank* - No Motion Sensor DHFS- Dimming High Frequency Motion Sensor	Blank* - Emergency Battery Back Up BBK8 - 8W Battery Back Up

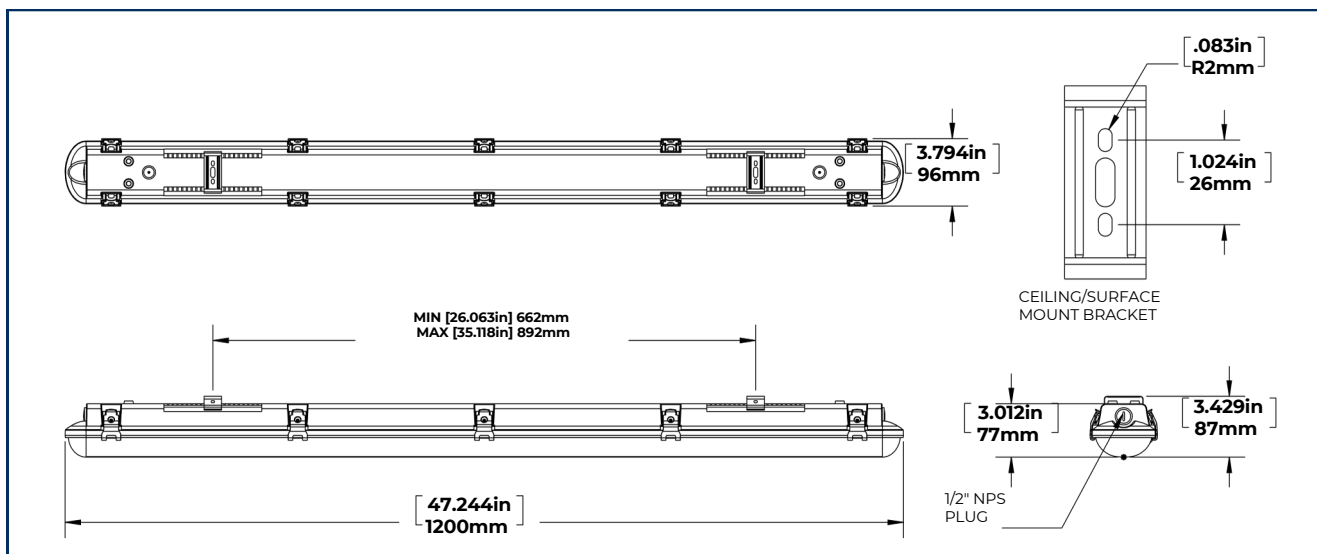
STOCK CODE	
083700	VP4-LED35-H-VK-DIM
083701	VP4-LED35-H-VK-DIM-DHFS

INCLUDED IN THE BOX

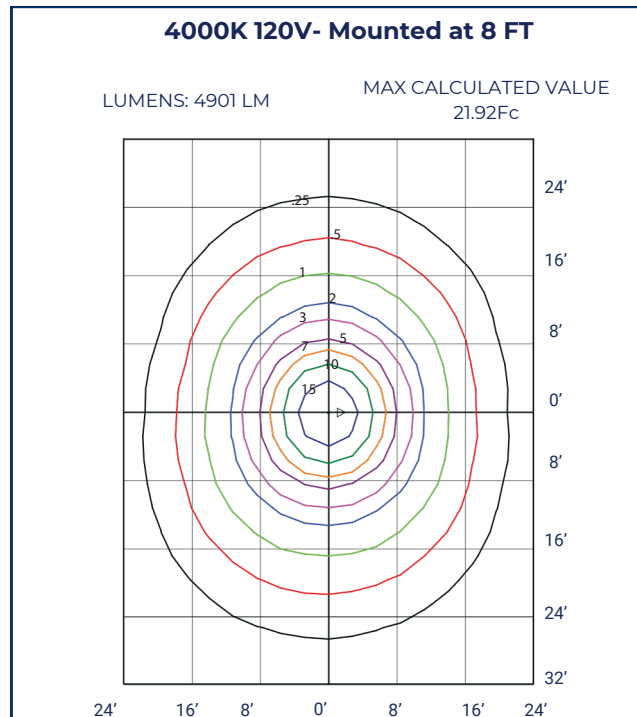
SURFACE MOUNT INSTALLATION ACCESSORIES (2X)

ACCESSORY SOLD SEPARATELY		
087016	RC-100 MOTION SENSOR REMOTE CONTROL	
002262	SL4/VP4-LED JUNCTION BOX COVER PLATE	

DIMENSIONS



PHOTOMETRIC PLOT



MOTION SENSOR SPECIFICATIONS

Maximum Mounting Height/Range	<p>Height of installation: 8-12ft</p>	<p>Max: 26ft Max: 26ft</p> <p>Detection Range at 8ft Mounting Height</p>	<p>Detection Angle</p>
Maximum Detection Angle	360°		
Recommended Mounting Height	8ft - 12ft		
Sensor Detection Range	26ft at 8ft mounting		

DEFAULT MOTION SENSOR SETTINGS

BRIGHTNESS	SENSITIVITY	HOLD TIME	DAYLIGHT SENSOR	STAND-BY DIM	STAND-BY TIME
100%	100%	10 Seconds	Disabled	DIM: 50%	60 minutes

*Applicable to light fixtures with Motion Sensors (DHFS)

EMERGENCY BATTERY BACKUP SPECIFICATIONS

Rated Input Voltage	100-347 VAC, 50/60HZ
Input current	20-100mA
Input power	8W
Power Factor	0.6 @ 100VAC, 0.5 @347 VAC
Output Power (Emergency Mode)	9W±10%, Constant Power
Recharge Current	0-200mA
Recharge Time	24 Hours
Discharge Time	90 Minutes
Maximum Case Temperature	70°C
Ambient Operating Temperature	10°C-60°C

Note: Lumen output with emergency battery backup can be calculated by multiplying battery power output with efficacy of fixture.