



# XFL-LED Series Floodlight



The XFL is the first floodlight in the market with field adjustable beam distribution, ensuring contractors get light exactly where they need it. Along with a host of customizable features such as adjustable lumens and adjustable CCT, XFL family incorporates sturdy design built for extreme weather conditions. It is truly an innovation that gets the job done right the first time

## IDEAL APPLICATIONS

- Parking Lots
- Patios
- Facades
- Commercial Plazas
- Yards
- Walkways

## SPECIFICATIONS

	XFL4-LED150A100	XFL5-LED300A150	XFL6-LED500A350
<b>PERFORMANCE</b>			
Light Output	22500/18000/15000 lm	45000/36000/22500 lm	75000/60000/52500 lm
Efficacy	158 lm/W	151 lm/W	159 lm/W
CCT	CCT Selectable (3000K/4000K/5000K)		
LED Lifetime (L80)	110,000 Hrs		
CRI	84		
B-U-G	B4-U0-G1	B5-U0-G3	B5-U0-G2
<b>BEAM DISTRIBUTION</b>			
Standard	Field Adjustable [Extra Wide (90°, 7x6), Wide (75°, 6x6), Medium wide (55°, 5x5)]		
Narrow (Factory Installed)	Narrow (30°, 5x5)	Field Adjustable [Narrow (30°, 5x5), (25°, 4x4), or (20°, 4x4)]	
<b>ELECTRICAL</b>			
Wattage	150/120/100 W	300/240/150 W	500/400/350 W
Voltage	120-347 V		
Surge Protection	6 kV Internal and 10kV External		
Power Factor	> 0.98		
THD	< 10%		
Dimming	0-10 V (0-100%)		
<b>CONSTRUCTION</b>			
Housing	Die Cast Aluminum		
Lens	Clear Glass Lens		
Paint Specs.	Weather and Corrosion Resistant Polyester Powder Coat Finish		
Housing Finish	Bronze, Custom Finish		
Mounting	Slip Fitter (pre-installed), Yoke (included in box)		
Weight (with Mounting)	5.35 kg (11.8lbs)	8.5 kg (18.74lbs)	13.3kg (29.26lbs)
Cable Specs	Input Power - 1m Cabtire Cable (3x18 AWG), Dimming - 1m Cabtire Cable (2x18 AWG)		
<b>AMBIENT OPERATING TEMPERATURE</b>			
-40°C to +50°C (-40°F to +122°F)			
<b>CERTIFICATIONS</b>			
cULus certified as per UL1598 & CSA C22.2 NO.250.0:21, Wet Location, 7 Year Warranty, IP65, DLC Premium			

Electrical and Light Performance data is based on LM79 test report at 4000K CCT, 120V and 90° Beam.



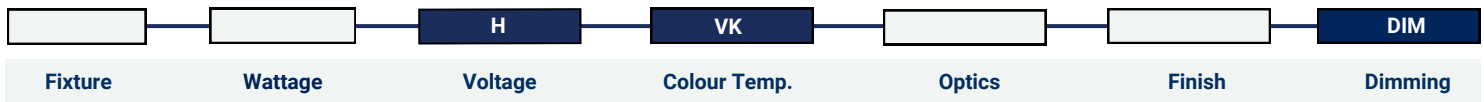
MAX AMPERAGE DRAW (A)					
	120V	208V	240V	277V	347V
XFL4-LED150A100	1.313	0.757	0.656	0.569	0.454
XFL5-LED300A150	2.625	1.514	1.313	1.137	0.908
XFL6-LED500A350	4.375	2.524	2.188	1.895	1.513

LUMEN MAINTENANCE	
L90	L80
51,000 Hrs	110,000 Hrs

Life hours are derived from IESNA LM-80 testing report and projected per IESNA TM-21 calculations.

EPA (ft <sup>2</sup> )			
	0° tilt	45° tilt	90° tilt
XFL4-LED150A100	0.71	0.92	0.95
XFL5-LED300A150	1.3	0.92	1.8
XFL6-LED500A350	1.9	0.92	2.8

## ORDERING GUIDE



Fixture	Wattage	Voltage	Colour Temp.	Optics	Finish	Dimming
---------	---------	---------	--------------	--------	--------	---------

XFL4	LED150A100	H - 120-347V	VK - CCT Selectable (3000K/4000K/ 5000K)	VDW - Adjustable* (90°, NEMA 7x6) (75°, NEMA 6x6) (55°, NEMA 5x5)	BRZ - Bronze*  CST - Custom Finish	DIM - 0-10V Dimming
XFL5	LED300A150					
XFL6	LED500A350					



Controls	Mounting	Surge Protection
----------	----------	------------------

PC - Photocontrol	FCM - Field Convertible Mounting	SP10 - 10kV Surge Protection
----------------------	--	---------------------------------

N - Narrow\*\*  
(30°, NEMA 5x5)

VDN - Adjustable  
(30°, NEMA 5x5)  
(25°, NEMA 4x4)  
20°, NEMA 4x4)

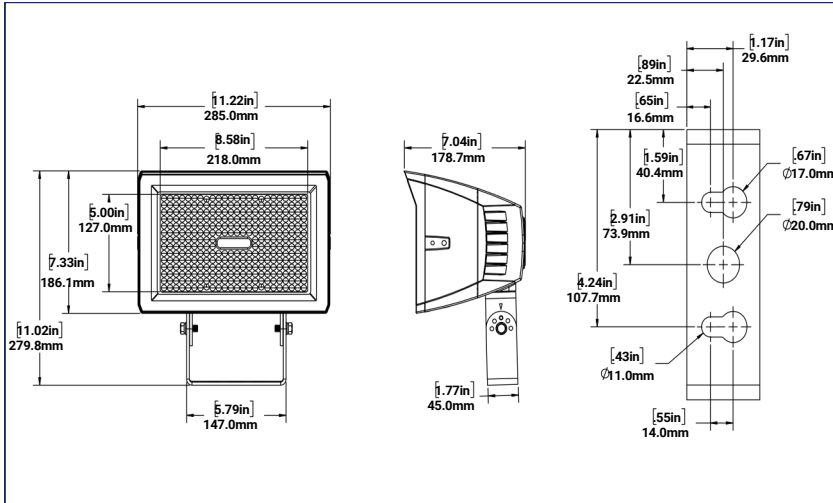
\*Standard

\*\* Available for XFL4

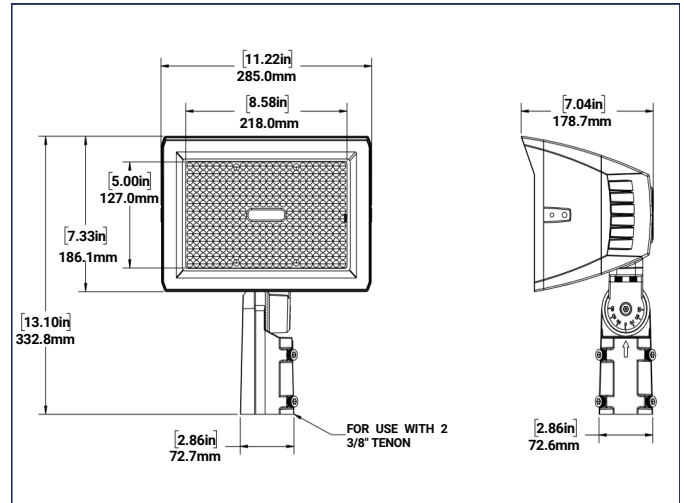
Default Factory Setting: 4000K/ highest lumen setting/ 90° / PC ON.  
Slip fitter attached, Yoke included in the box

STOCK CODE	
081832	XFL4-LED150A100-H-VK-VDW-BRZ-DIM-PC-FCM-SP10
084158	XFL4-LED150A100-H-VK-N-BRZ-DIM-PC-FCM-SP10
081833	XFL5-LED300A150-H-VK-VDW-BRZ-DIM-PC-FCM-SP10
081871	XFL5-LED300A150-H-VK-VDN-BRZ-DIM-PC-FCM-SP10
083961	XFL6-LED500A350-H-VK-VDW-BRZ-DIM-PC-FCM-SP10
084149	XFL6-LED500A350-H-VK-VDN-BRZ-DIM-PC-FCM-SP10

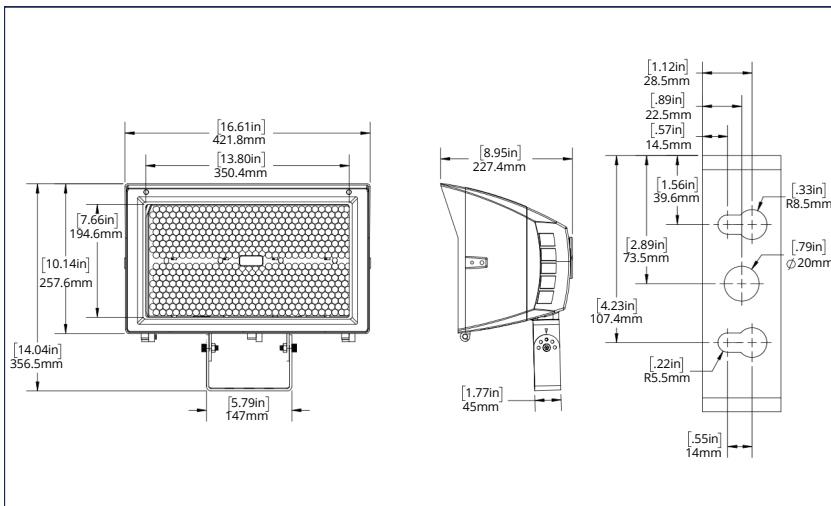
**XFL4 Yoke Mount**



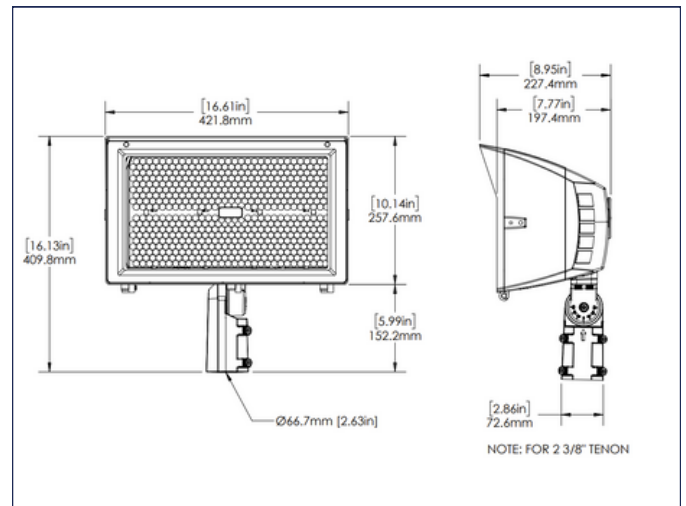
**XFL4 Slipfitter**



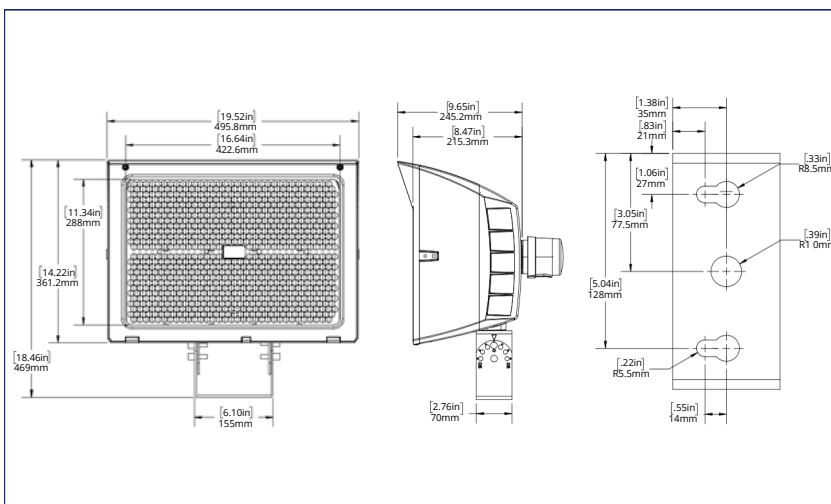
**XFL5 Yoke Mount**



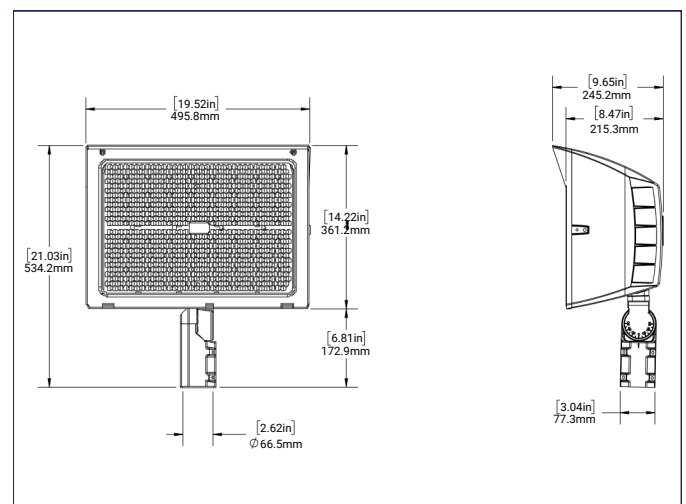
**XFL5 Slipfitter**



**XFL6 Yoke Mount**



**XFL6 Slipfitter**



**PHOTOMETRIC PLOTS**

