



FW4-LED

Linear Vapourproof



4' linear vapourproof fixture with NEMA 4X, NSF, IK10 ratings ideal for harsh environments including food processing and storage facilities, livestock barns, agricultural environments, underground parking garages, and more.

IDEAL APPLICATIONS

- Food Processing & Storage
- Agricultural
- Livestock Barns
- Underground Parking Garages

SPECIFICATIONS

	FW4-LED41	FW4-LED61			
PERFORMANCE					
Watts	40.5 W	60 W			
Lumens	5700 lm	8470 lm			
Efficacy	141 lm/W				
CCT	Selectable (3000K/4000K/5000K)				
PF	0.98	0.99			
THD	3.6%	4.6%			
CRI	85				
Replaces Up To	2 Lamp T5HO				
LED Lifetime (L77)	100,000 Hours				
ELECTRICAL					
Voltage	120-347V				
Surge Protection	4kV (Built-in Driver) as per IEC/EN 61000-4-5				
Dimming	0-10V (Continuous dimming to 10% or below)				
MAX AMPERAGE DRAW (A)					
Voltage	120 V	208 V	240 V	277 V	347 V
LED41	0.376	0.217	0.188	0.163	0.130
LED61	0.556	0.321	0.278	0.241	0.192
TM-21 ESTIMATED LUMEN MAINTENANCE					
50,000 Hours	88%		88%		
75,000 Hours	82%		82%		
100,000 Hours	77%		77%		

NOTE: Electrical and Light Performance data is based on LM79 test report at 4000K and 120V.

AMBIENT OPERATING TEMPERATURE	
Fixture	-40°C to +40°C (-40°F to +104°F)
With Battery Backup	10°C to +40°C (50°F to +104°F)
With Motion Sensor	-40°C to +40°C (-40°F to +104°F)
CONSTRUCTION	
Housing	Polycarbonate
Lens	Frosted Polycarbonate
Mounting	Surface (2x Stainless Steel Clips included); Suspension (optional)
Clips	Polycarbonate (10x); Stainless Steel Clips (optional)
Finish	Grey
Predrilled Conduit Entries	Two (one at each end); Fits PG 16 cable gland; suitable for upto 5X18AWG Service Cables
CERTIFICATIONS	
cULus, Wet locations, IP66, NSF, NEMA4X, IK10, DLC Premium	
DEFAULT SETTINGS	
CCT	4000K
WEIGHT	
7.7lb (3.5kg)	

NOTE: Not recommended for car wash facilities. Please refer to LFW-LED for car wash applications.



ORDERING GUIDE

FW4		H	VK	DIM		
Fixture	Wattage	Voltage	Colour Temp.	Dimming	Controls	Battery Back up
LED41		H - 120-347V	VK - CCT Selectable 3000K/4000K/ 5000K	DIM - 0-10V Dimming	BLANK*	BLANK*- No Battery Back up
LED61					DHFS - Dimming High Frequency Motion Sensor	BBK8 - 8W Battery Back Up
					AWN - Lutron Smart Control**	

*Standard Configuration

**Factory installed Lutron Athena Wireless Node with RF only (A-WN-D01-RF-WH). Gateway and controller not included.

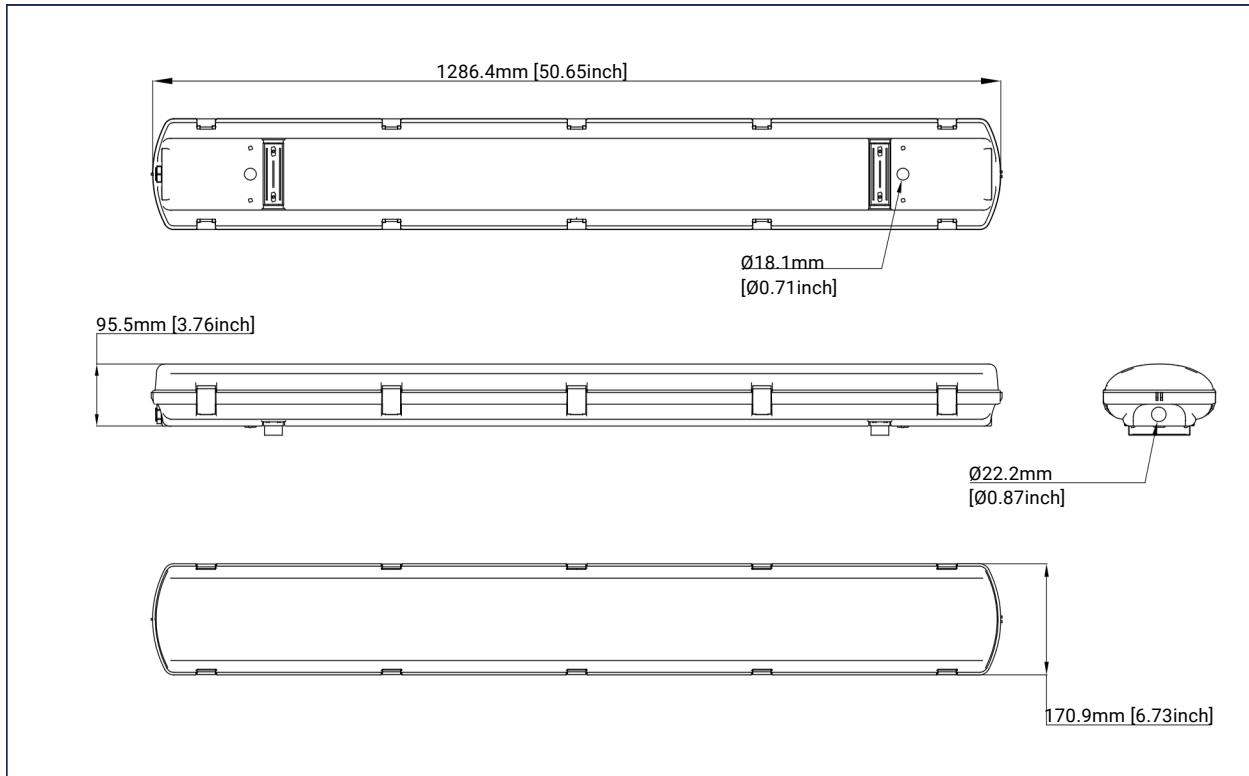
STOCK CODE

099586	FW4-LED41-H-VK-DIM
099587	FW4-LED61-H-VK-DIM

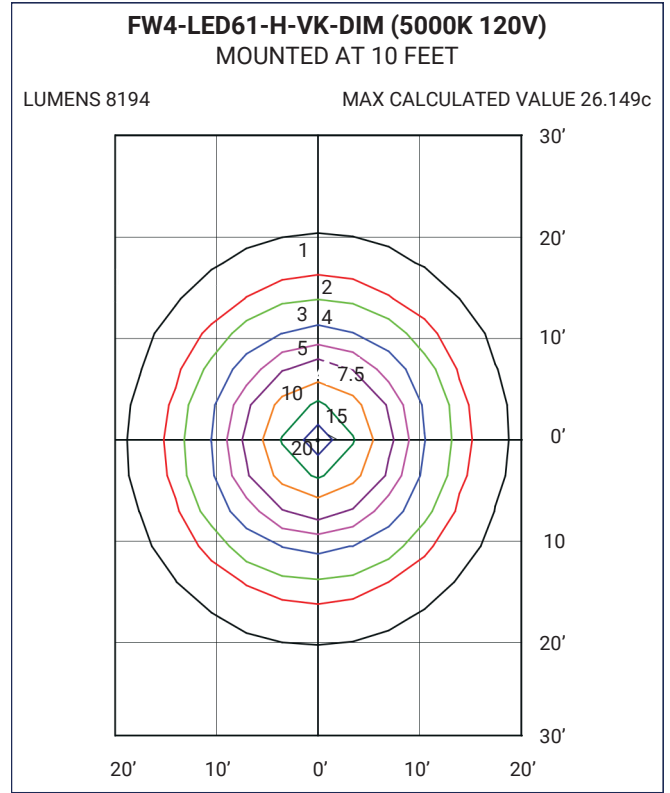
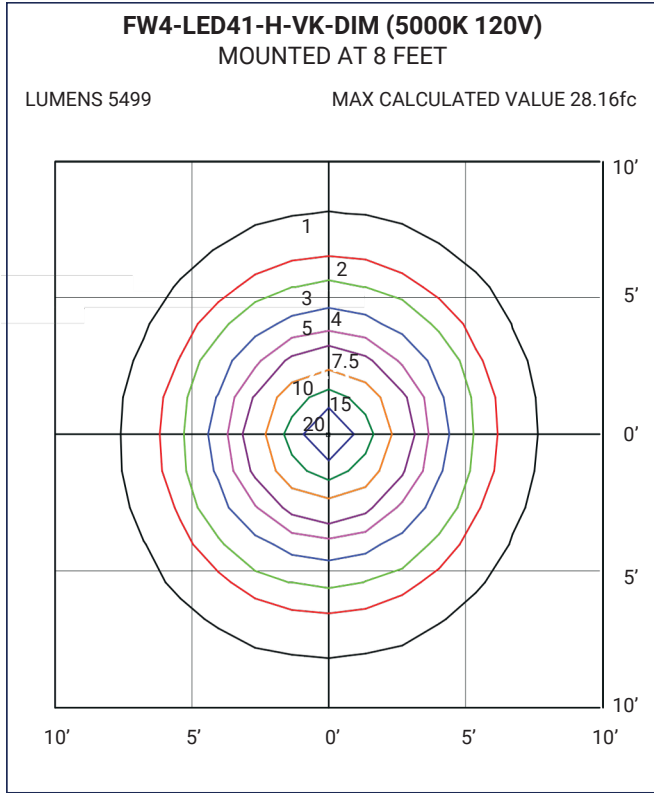
ACCESSORIES SOLD SEPARATELY

087016	RC-100 MOTION SENSOR REMOTE CONTROL
081960	AIRCRAFT CABLE (10ft)

DIMENSIONS



PHOTOMETRIC PLOTS



BATTERY BACK UP TECHNICAL SPECIFICATIONS

Rated Input Voltage	100-347 VAC, 50/60 Hz
Input Current	20-100 mA
Input Power	8 W
Power Factor	0.6 @ 100VAC and 0.5 @ 347VAC
Output Power (emergency mode)	9W±10%, Constant Power
Output Wire L-out-N-out (LED load input)	AC 6A Max
Recharge Current	0-200 mA
Recharge Time	24 Hours
Discharge Time	90 Minutes
Maximum Case Temperature	70°C
Ambient Operating Temperature	10°C to 60°C

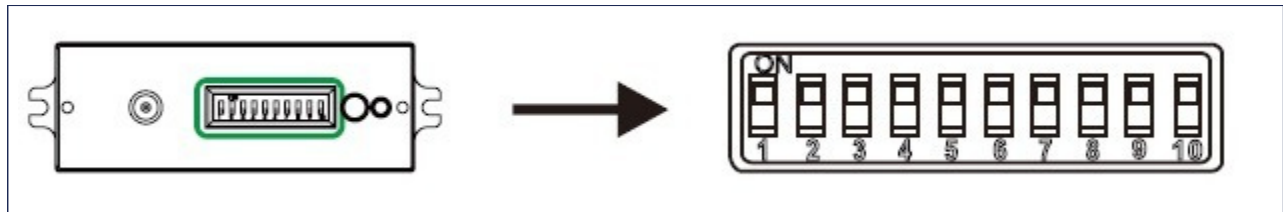
NOTE: Lumen output with emergency battery backup can be calculated by multiplying battery power output with efficacy of fixture.

MOTION SENSOR SPECIFICATIONS

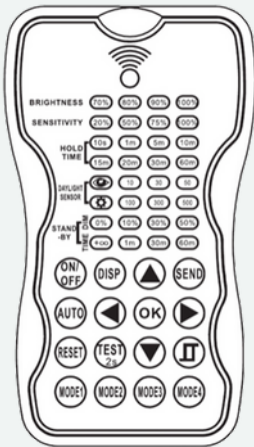
DEFAULT SETTINGS		POWER SUPPLY	12V-24VDC*
BRIGHTNESS	100%	HIGH FREQUENCY SYSTEM	5.8GHz +/-75MHz (High Frequency Microwave Output)
SENSITIVITY	100%	DIM CONTROL OUTPUT	0-10V, Max. 25 mA Sinking Current
HOLD TIME	10 seconds	DETECTION RADIUS/ANGLE	Max 8m (26ft) at 360°
		MOUNTING HEIGHT	Max 3.6m (12ft)
DAYLIGHT SENSOR	Disabled	REMOTE CONTROL RANGE	Max 15m (50ft)
STAND-BY DIM	DIM: 30%	HUMIDITY	Max 95% Relative Humidity
STANDBYTIME	60 minutes	PROGRAMMING	Factory installed using dip switches on sensor or using RC-100 remote (Sold Separately)

*12VDC AUX Available from the LED driver - Can be used for motion sensor and other lighting controls.

ADJUSTING MOTION SENSOR SETTINGS USING DIP SWITCHES



RC-100 REMOTE SPECIFICATIONS



BRIGHTNESS: Sets the highest light fixture brightness when motion is detected.

SENSITIVITY: Sets the sensitivity to which the sensor will detect motion.

HOLD TIME: The time the light fixture will remain at the brightness setting after it detects motion.

DAYLIGHT SENSOR: The lux setting that the light fixture will turn on/off. If the ambient lux is more than the defined lux setting, the fixture & sensor function will turn off and remain off until the ambient lux is below the setting. To disable the lux sensor, select the SUN icon. To set the lux to match current room conditions, select the EYE icon.

STAND-BY DIM: The Dim level that the light fixture will dim down after the Hold Time has expired. To disable dimming and only have ON/OFF, select the 0% icon.

STAND-BY TIME: The time the light fixture will remain in the dim down state before it shuts off. To disable the light from shutting off, select the INFINITY icon.

MOTION SENSOR COVERAGE

