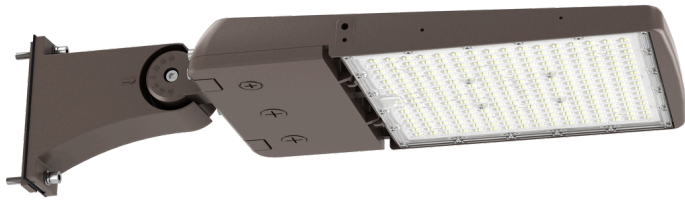




JAG1S-LED

Selectable Area Light



The JAG1S-LED is an exceptionally versatile lighting fixture, featuring field-adjustable beam distribution, high efficiency, and advanced controls to optimize lighting layouts for any area light application. Additionally, the standard fixture includes selectable features such as colour selection, wattage selection, and a wide voltage range of 120-347V, making it one of the most feature-rich area lights available on the market.

(Shown with Direct Mount for Round/Square Poles)

IDEAL APPLICATIONS

- ✔ Commercial Plazas
- ✔ Dealerships
- ✔ Schools and Campuses
- ✔ Parking Lots
- ✔ Transit Stations
- ✔ Pathways
- ✔ Perimeter Lighting

SPECIFICATIONS

	LED100A60	LED150A100
PERFORMANCE		
Light Output	16700/13400/10000 lm	25000/20000/16700 lm
Efficacy	167 lm/W	
CCT	CCT Selectable - 3000K/4000K/5000K	
Beam Distribution	Variable Distribution - VD1 (Type III/Type IV/Type V); VD2 (Type II/Type III/Type IV) (Optional)	
	Adjust beam distribution effortlessly using a switch—no need to swap or reorient optics.	
LED Lifetime (L85)	100,000 Hours	
CRI	84	
ELECTRICAL		
Wattage	100/80/60 W	150/120/100 W
Voltage	120-347 V	
Surge Protection	6 kV Internal & 10 kV External per UL1449	
Power Factor	0.99	
THD	4.49%	4.36%
Dimming	0-10 V (0-100%)	
Replaces Up to	250W MH	400W MH
Cable Specs	Input Power - 1 m Cabtire Cable (3x18 AWG) Dimming - 1 m Cabtire Cable (2x18 AWG)	
AMBIENT OPERATING TEMPERATURE		
Fixture	-40°C to 50°C (-40°F to +122°F)	
DEFAULT SETTINGS		
CCT	4000K	
Wattage	100W	150W
Beam Distribution	VD1 - Type III VD2 - Type II	

CERTIFICATIONS					
cULus Certified as per UL 1598 & CSA C22.2, IP65, Wet Location, DLC Premium					
FACTORY INSTALLED CONTROLS					
DHFS Motion Sensor, PBLs Control, Twist Lock Photocell, 3 PIN or 7 PIN Receptacle with Shorting Cap ANSI C136 compliant, 20 kV Surge Protection (120-277 V)					
OPTIONS SOLD SEPERATELY					
Slip Fitter, Direct Mount for Round/Square Poles, Trunnion Mount, Yoke Mount, House Side Cutoff, Side Cutoff, DHFS Motion Sensor Remote Control, PBLs Remote Control					
CONSTRUCTION					
Housing	Die-cast Aluminum				
Lens/Optics	Polycarbonate Lens/Optics with integral field-adjustable light distribution allows beam distribution changes without replacing or re-orienting the lens/optics.				
Paint	Weather and Corrosion Resistant Polyester Powder Coat Finish				
Housing Finish	Bronze, Custom Colours				
WEIGHT (FIXTURE ONLY)					
4.8kg (10.58lbs)					
MAX AMPERAGE DRAW (A)					
	120V	208V	240V	277V	347V
LED100A60 (100W)	0.875	0.505	0.438	0.379	0.303
LED150A100 (150W)	1.313	0.757	0.656	0.569	0.454
LUMEN MAINTENANCE					
	L90	L80	L70		
LED100A60 & LED150A100	68,000 Hours	> 100,000 Hours	> 120,000 Hours		

Electrical and Light Performance data is based on LM79 test report at 4000K, Type IV and 120V.

Life hours are derived from IESNA LM-80 testing report and projected per IESNA TM-21 calculations.



ORDERING GUIDE

JAG1S			VK			DIM		
Fixture	Wattage	Voltage	Colour Temp.	Beam Distribution	Finish	Dimming	Controls	Surge Protection
JAG1S	LED100A60	H - 120-347V ^a	VK - CCT Selectable (3000K/ 4000K/ 5000K)	VD1 - Variable Distribution ^a (Type III/Type IV/ Type V)	BRZ - Bronze ^a	DIM - 0-10V Dimming	Blank - No Controls ^a	SP10 - 10kV Surge Protection ^a
	LED150A100	B - 120-277V ^b		VD2 - Variable Distribution (Type II/Type III/ Type IV)	CST - Custom Finish		PBLS - Photocell Beam Lumen Sensor ^c	SP20 - 20kV Surge Protection ^b
							DHFS - Dimming High Frequency Motion Sensor ^d	
							PC - Photocontrol	
							3PIN - 3PIN Receptacle	
							7PIN - 7PIN Receptacle	

- a - Standard Configuration
- b - B voltage (120-277V) is only applicable to SP20
- c - One RC107 remote control is required for PBLS
- d - One RC100 remote control is required for DHFS

STOCK CODE

084100	JAG1S-LED100A60-H-VK-VD1-BRZ-DIM-SP10
084150	JAG1S-LED150A100-H-VK-VD1-BRZ-DIM-SP10
084191	JAG1S-LED100A60-H-VK-VD1-BRZ-DIM-PBLS-SP10
084197	JAG1S-LED150A100-H-VK-VD1-BRZ-DIM-PBLS-SP10

NOTE:

- "VD1" offers selectable beam distribution options (Type III, Type IV, Type V).
- For **Type II** beam distribution, please order "VD2" which offers selectable beam distribution options (**Type II**, Type III, Type IV).
- "PBLS" allows **remote** adjustment of the photocell, beam distribution, and lumen output.

ACCESSORIES SOLD SEPARATELY

020052	YOKE MOUNT BRZ F/JAG1		002421	JAG1 HOUSE CUTOFF SHIELD BRZ	
020009	SLIP FITTER BRZ F/HELIX1/2 & JAG1/2		002422	JAG1 SIDE CUTOFF SHIELD BRZ	
020010	DIRECT MOUNT F/RND & SQR POLE BRZ F/HELIX1/2 & JAG1/2		087016	RC-100 MOTION SENSOR REMOTE CONTROL	
020011	DIRECT TRUNNION MOUNT BRZ F/HELIX1/2 & JAG1/2		087034	RC-107 PHOTOCONTROL REMOTE CONTROL	

EPA (ft ²)			
	Tilt 0°	Tilt 45°	Tilt 90°
JAG1S	0.59	1.55	2.18
JAG1S (with HCO)	0.82	1.55	2.18
JAG1S (with SCO)	1.21	1.62	2.18

*EPA calculation includes both fixture and slipfitter mount

PHOTOCELL/BEAM DISTRIBUTION/LUMEN SENSOR (PBLs)

PBLs Controller allows the Installer to adjust beam, lumens and photocontrol settings using a remote control after installation.



PHOTOCELL/BEAM DISTRIBUTION/LUMEN SENSOR (PBLs)	
Input Power	LED Input: Max. 250VDC 3A; Sensor Input: 10-14VDC, >30mA
Input Current	Max. 25mA
Control Output	0-10V Output Signals
Operate Level	10-20LUX ON, 30-80LUX OFF
Humidity	Max. 99% RH
Operating Temperature	-40°C to 50°C (-40°F to +122°F)

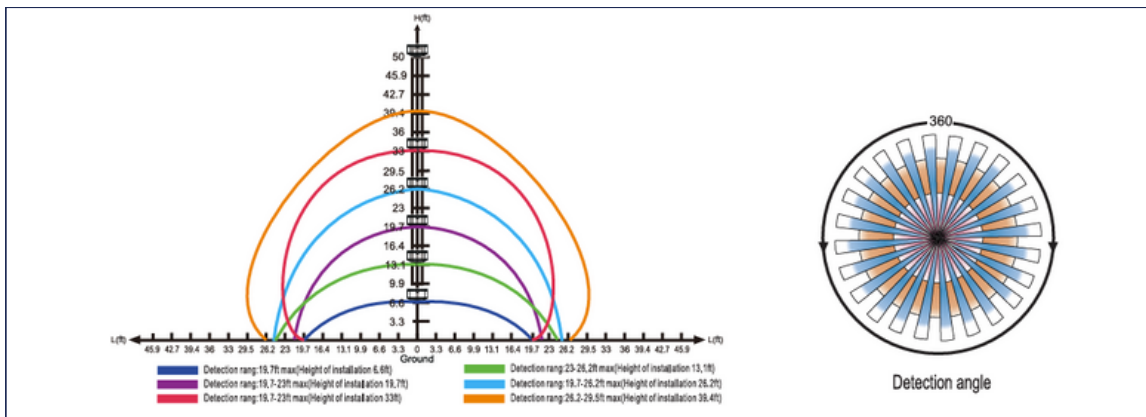
RC107 REMOTE SEPCIFICATIONS (For PBLs Controller)			
DEFAULT FACTORY SETTING			FEATURES
Task Light Level	100%		<p>ON: Turn on the fixture, brightness is set according to task level.</p> <p>OFF: Turn off the fixture, the fixture is permanently off.</p> <p>RESET: Task Light Level:100%; Hold Time: Disable; Photocell: Low; CCT:WW - Type III</p> <p>REPEAT: Send the same setting to different fixtures installed.</p>
Hold Time	Disable		<p>HOLD TIME: The "hold time" starts to count right after the fixture turns on. When the "hold time is up, the fixture adjusts to 50% brightness until the light control turns the light fixture off.</p> <p>DISABLE: When you choose disabled, the fixture maintains the task light level</p>
Photocell	Low		<p>LOW: When the ambient lux is less than 30lux, the fixture turn on at the task level you set, when the ambient lux is more than 50lux, the fixture turns off.</p> <p>MIDDLE: When the ambient lux is less than 80lux, the fixture turn on at the task level you set, when the ambient lux is more than 100lux, the fixture turns off.</p> <p>HIGH: When the ambient lux is less than 150lux, the fixture turn on at the task level you set, when the ambient lux is more than 180lux, the fixture turns off;</p> <p>DISABLE: Photoelectric switch disabled:</p>
Beam Distribution	VD1 - TYPE III; VD2 - TYPE II		<p>Adjust Beam Distribution Setting: VD1: WW - Type III, NW - Type IV, CW - Type V, VD2: WW - Type II, NW - Type III, CW - Type IV</p>
			<p>Range: 15m (50ft)</p>

Note: Custom settings can be done based on requirements in the Factory.

DIMMING HIGH FREQUENCY MOTION SENSOR (DHFS)

DHFS Microwave motion sensor offers a range of control features based on motion detection allowing the Installer to adjust the brightness of the fixture, hold time and daylight settings using a remote control after installation.

DIMMING HIGH FREQUENCY MOTION SENSOR (DHFS)	
Power Supply	12V-24V DC
High Frequency System	5.8GHz +/- 75MHz
Dim Control Output	0-10V, Max. 25mA
Detection Radius/Angle	Max. 26FT (8M)/360°
Mounting Height	Max. 40FT
Remote Range	50FT (15M)
Humidity	Max. 95% RH
Operating Temperature	-40°C to 50°C (-40°F to +122°F)

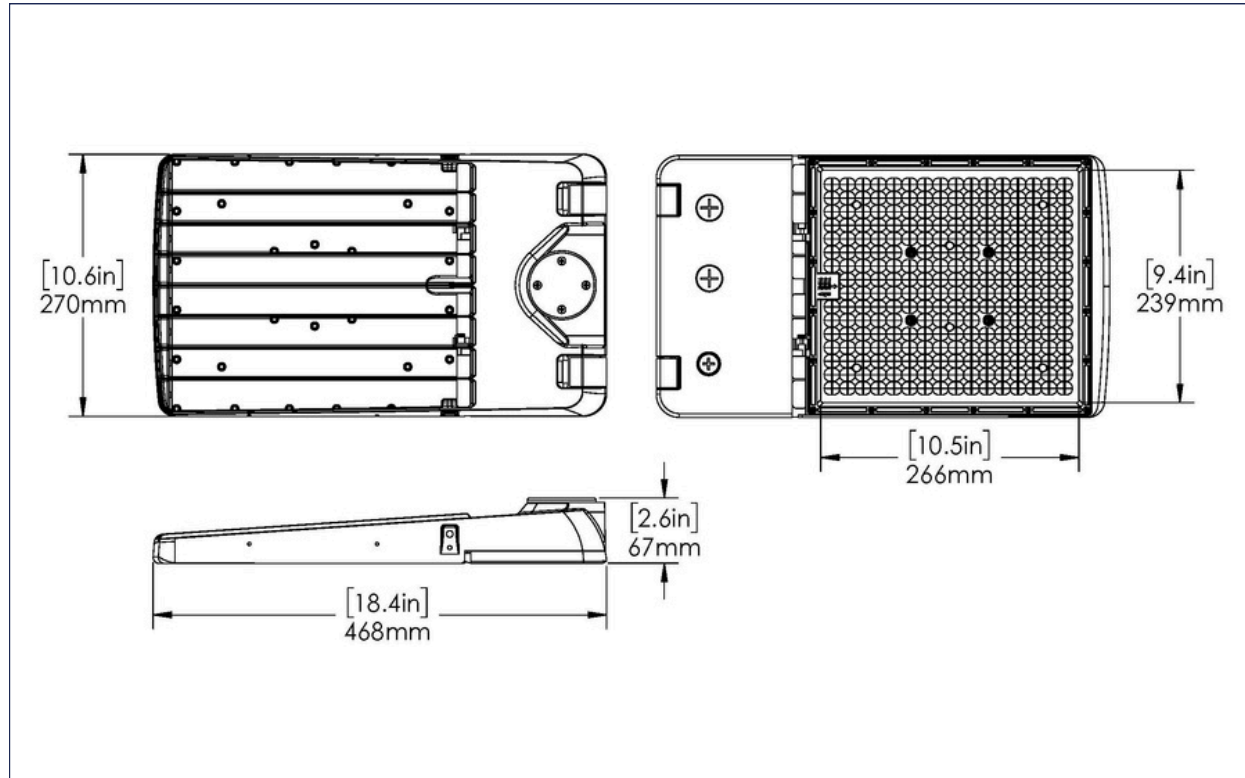


RC100 REMOTE SPECIFICATIONS (For DHFS Controller)

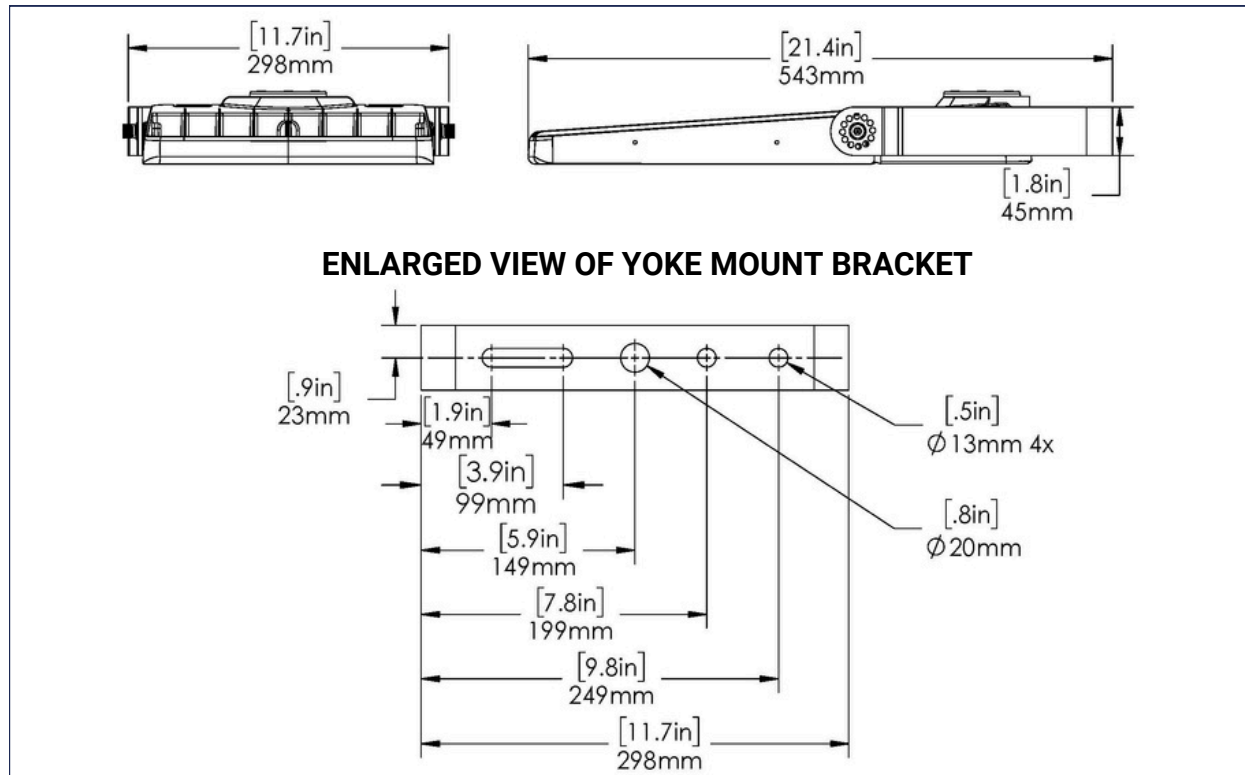
DEFAULT FACTORY SETTING		FEATURES	
Brightness	100%		BRIGHTNESS: Sets the highest light fixture brightness when motion is detected.
Sensitivity	100%		SENSITIVITY: Sets the sensitivity to which the sensor will detect motion.
Hold Time	5 Mins.		HOLD TIME: The time the light fixture will remain at the brightness setting after it detects motion.
Daylight Sensor	☼		DAYLIGHT SENSOR: The lux setting that the light fixture will turn on/off. If the ambient lux is more than the defined lux setting, the fixture & sensor function will turn off and remain off until the ambient lux is below the setting. To disable the lux sensor, select the SUN icon. To set the lux to match current room conditions, select the EYE icon.
Stand-by Dim	30%		STAND-BY DIM: The Dim level that the light fixture will dim down after the Hold Time has expired. To disable dimming and only have ON/OFF, select the 0% icon.
Stand-by Time	60 Mins.	STAND-BY TIME: The time the light fixture will remain in the dim down state before it shuts off. To disable the light from shutting off, select the INFINITY icon.	

Range: 15m (50ft)

FIXTURE WITHOUT MOUNT

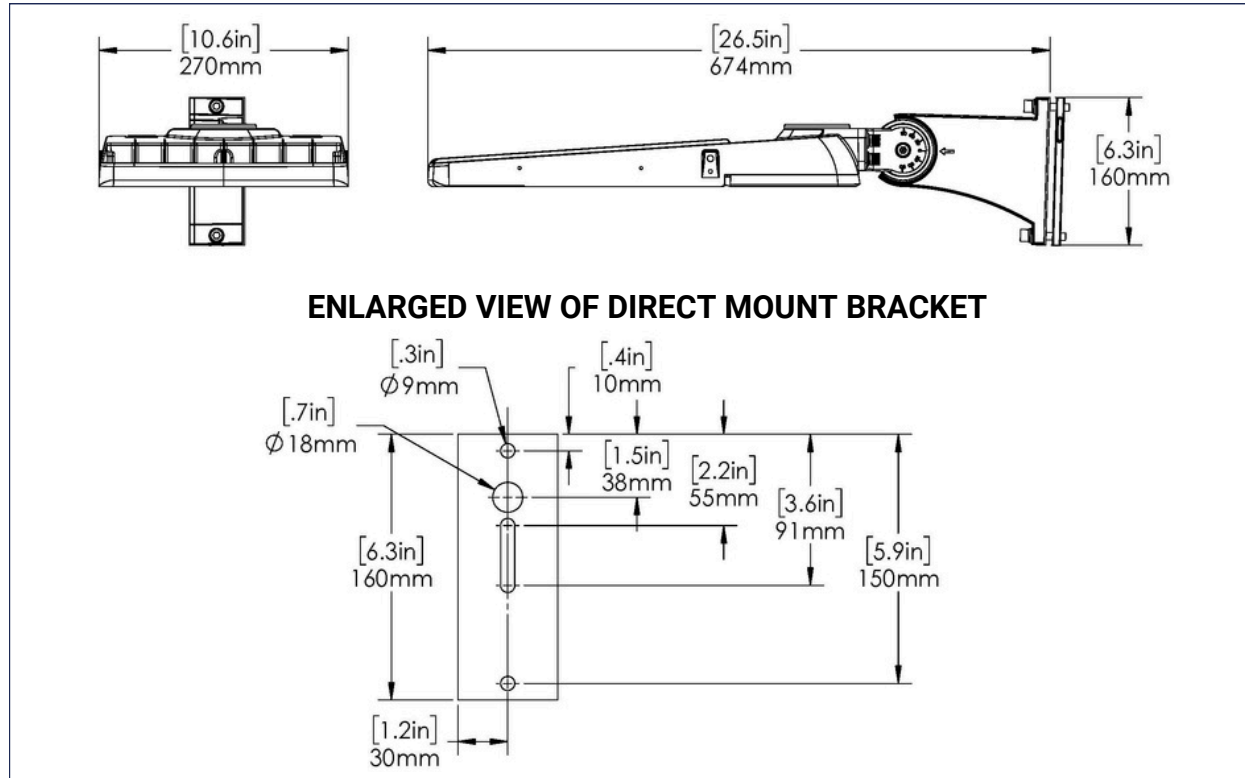


FIXTURE WITH YOKE MOUNT



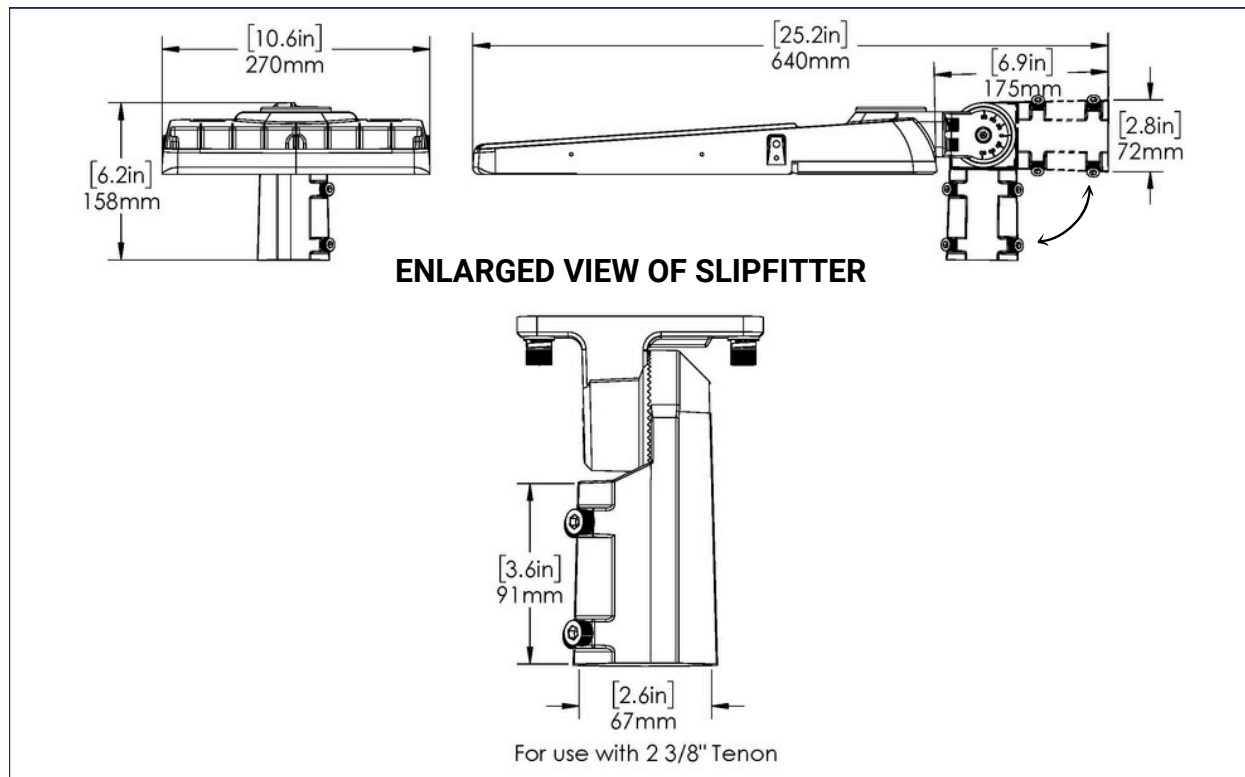
*Angle marking increment - 30°

FIXTURE WITH DIRECT MOUNT



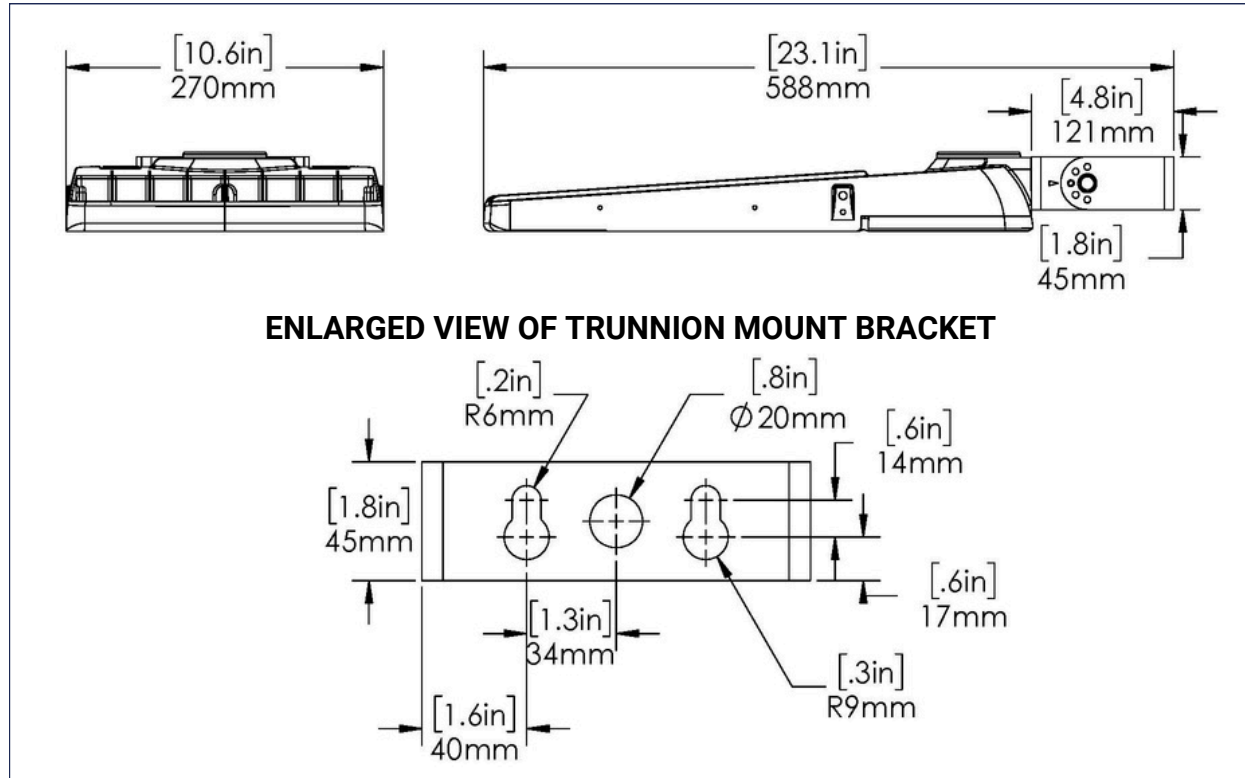
*Angle marking increment - 30°

FIXTURE WITH SLIPFITTER



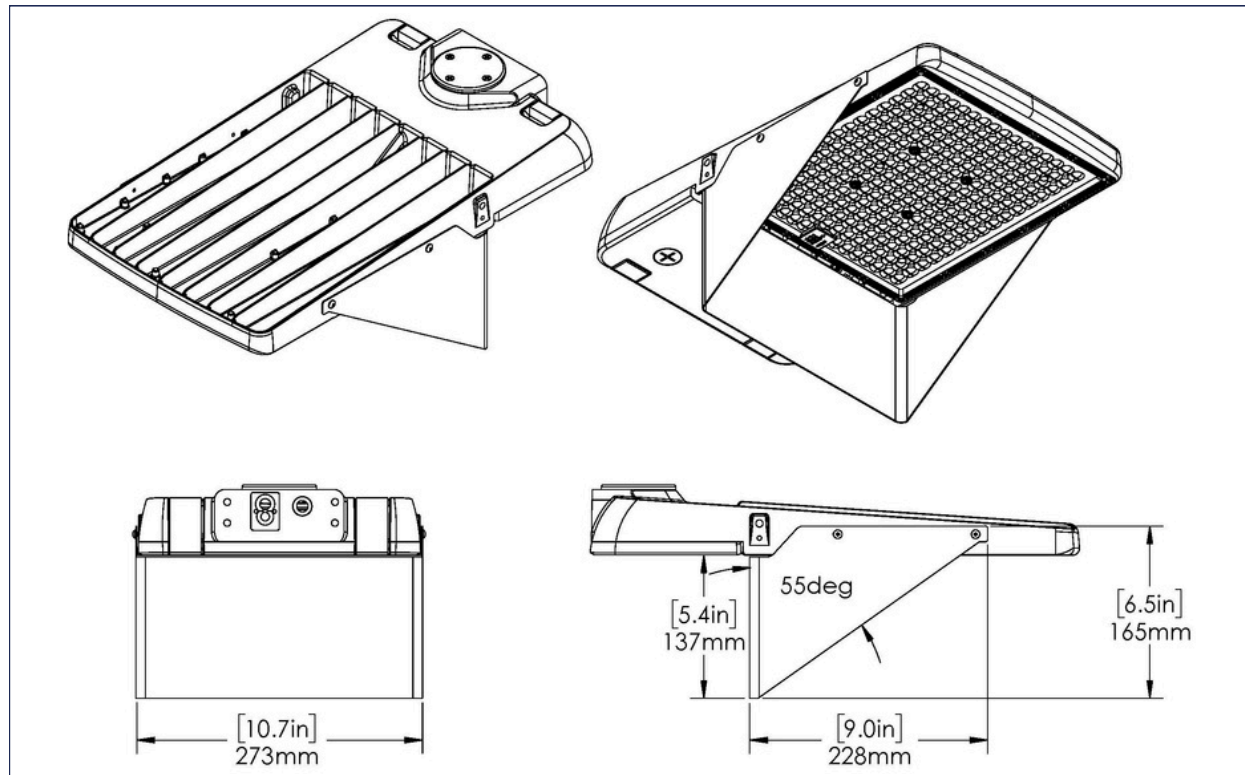
*Angle marking increment - 30°

FIXTURE WITH TRUNNION MOUNT

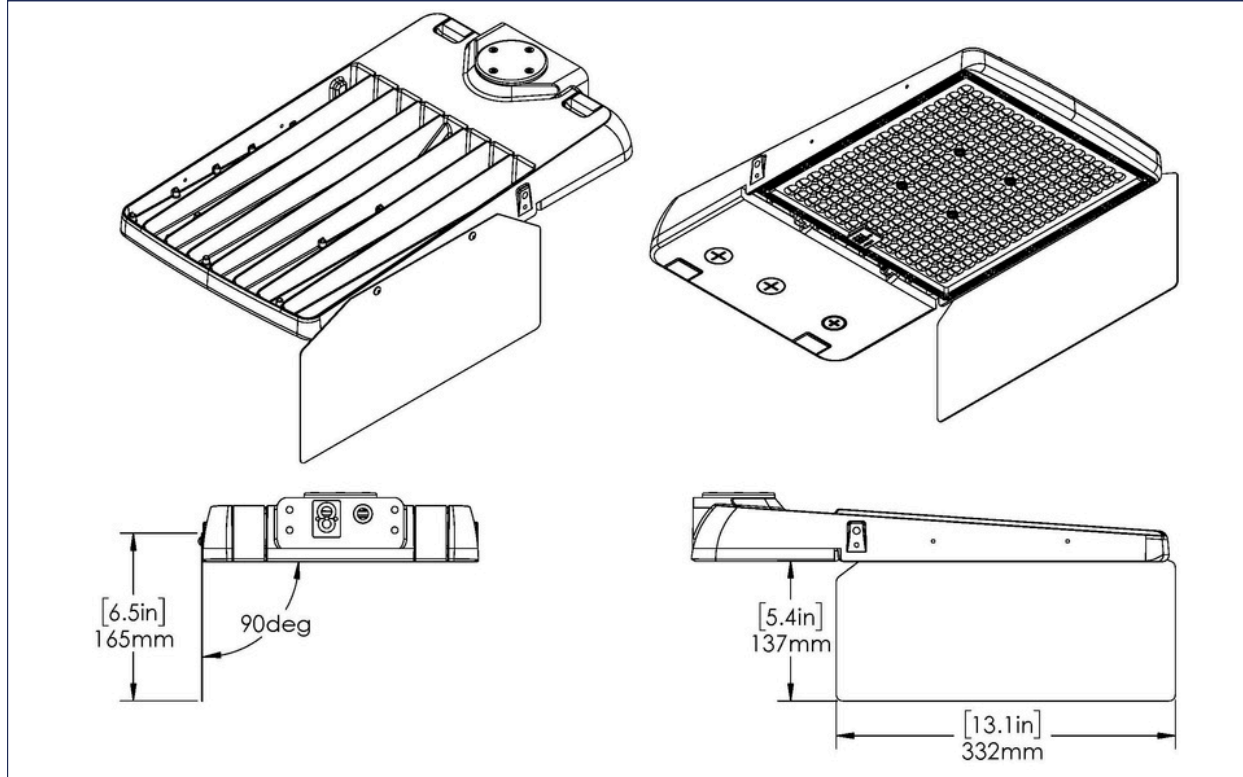


*Angle marking increment - 45°

FIXTURE WITH HOUSE SIDE CUTOFF (HCO)



FIXTURE WITH SIDE CUTOFF (SCO)



PHOTOMETRIC PLOTS

