

INSTALLATION INSTRUCTIONS



ELECTRICAL SHOCK HAZARD

READ, UNDERSTAND, and FOLLOW these instructions before installing the equipment.

WARNING

Disconnect the Electrical supply power at the service panel (fuse or circuit breaker box). Failure to do so could result in serious injury or death. Only qualified electricians should install this fixture and the installation **MUST** conform to the Canadian Electrical Code Part I and all local codes and ordinances. Ensure that only proper tools, materials, and equipment are used to complete the installation.

SAFETY

- Proper grounding is required to ensure personal safety.
- Fixture should be mounted in locations where unauthorized personnel will not readily subject it to tampering.
- Do not use this equipment for anything other than its intended purpose.
- Servicing this equipment should be performed by qualified service personnel.
- Save these instructions.
- **MIN 75 °C SUPPLY CONDUCTOR**

Specifications

- Supply Voltage: 120-347V
- 50/60 Hz
- Maximum Amperage: Please refer to specs sheet

Tools Required

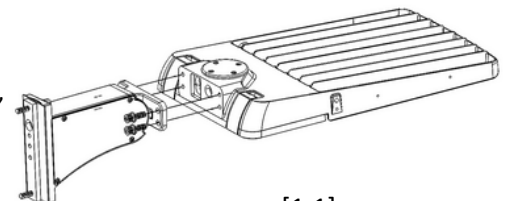
- Philips head screwdriver
- Allen keys of various sizes
- Drill tool (optional)

INSTALLATION

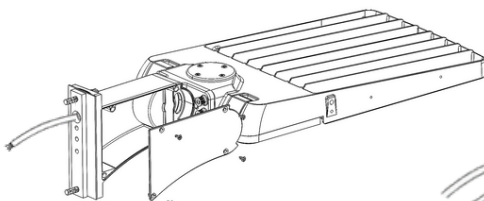
Note: Mounting brackets sold separately from light fixture

DIRECT MOUNT

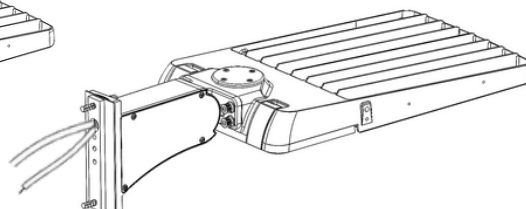
1. Remove the side cover of the bracket by taking off the screws. [1.1] [1.2]
2. Run wires through the bracket and fix the bracket to light fixture with the mounting bolts using Allen key. [1.2]
3. Straight arm can be adapted to a square pole, round pole, and wall.
 - **Square pole** - Remove the first silicone plate included and fix to pole with bolts and back plate.
 - **Round pole** - Remove the first and second silicone plate included and fix to pole with bolts and back plate.
 - **Wall mount** - Fix to wall with appropriate hardware for a given wall type. Pull power wire into the mounting bracket wiring compartment.
4. Make appropriate wiring connections as per wiring diagram. [7.1]
5. If required, adjust the tilt angle of the fixture by loosening the bolt on the side of the bracket, rotate the fixture head to the desired angle (Adjustable angle is +/- 90°), and retighten the bolt to fix the head's orientation. [1.4]
6. Close wiring compartment with the bracket's side cover and tighten it. [1.3]



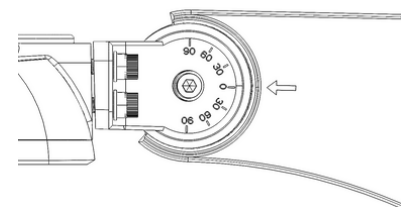
[1.1]



[1.2]



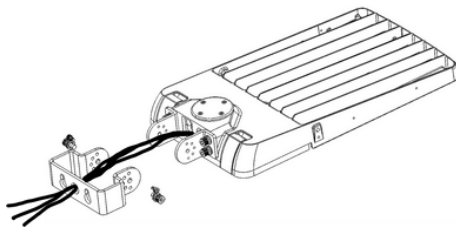
[1.3]



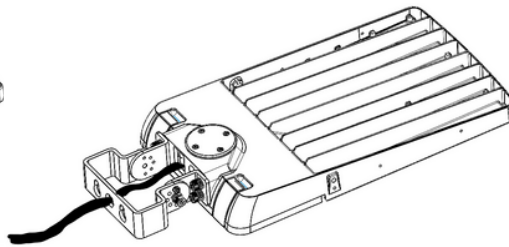
[1.4]

INSTALLATION INSTRUCTIONS**TRUNNION MOUNT**

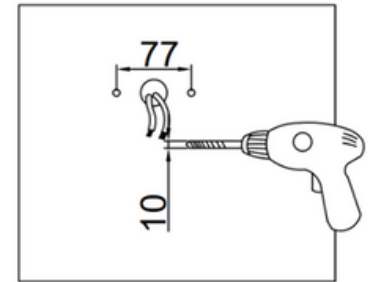
1. Run the wires through the bracket and fix bracket to the light fixture with the mounting bolts. [2.1] [2.2]
2. Drill holes 3.03inch (77mm) apart in the wall as shown with an appropriate drill size. [2.3]
3. Insert expansion bolts or appropriate hardware for given wall type. Fix the bracket to the wall with the appropriate hardware (not included in package). [2.4]
4. Make appropriate wiring connections as per wiring diagram [7.1] and enclose connections in a junction box.
5. To adjust the fixture angle (which ranges from 0 to 90°), first remove the two smaller bolts and nuts on each side of the bracket. Then, rotate the fixture head to the desired angle. Finally, tighten the bolts and nuts to secure the fixture in place. [2.4]



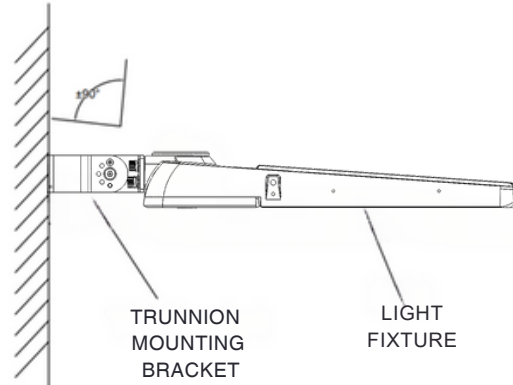
[2.1]



[2.2]



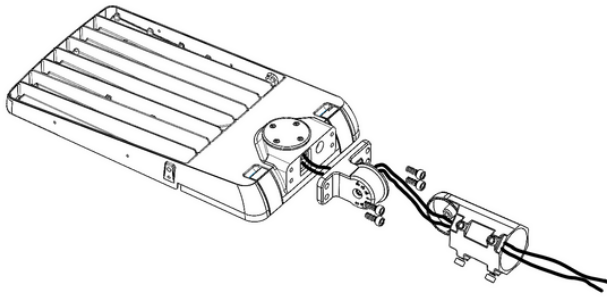
[2.3]



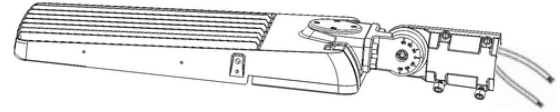
[2.4]

SLIP FITTER MOUNT

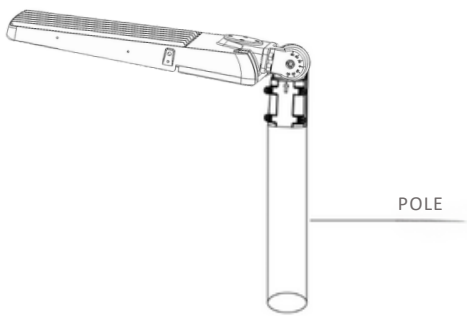
1. Run the wires through the bracket. Then fix bracket to the light fixture with the mounting screws. [3.1] [3.2]
2. Make appropriate wiring connections with leads from the pole as per wiring diagram [7.1]
3. Loosen the four bolts on the mount attach on top of the pole and secure by tightening the four bolts.
4. To adjust the fixture's angle, loosen the side bolt on the bracket. Rotate the fixture head to the desired angle, then tighten the bolt to secure it.



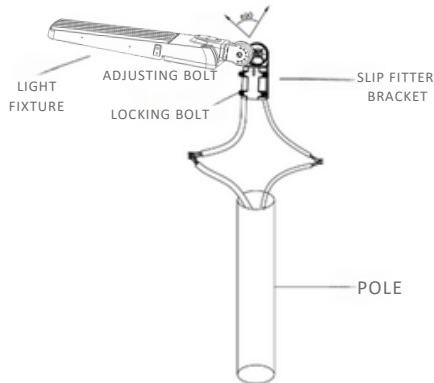
[3.1]



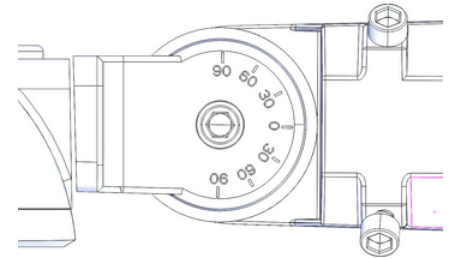
[3.2]



[3.3]



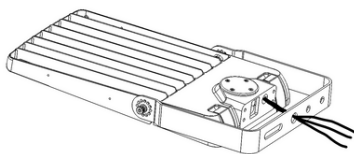
[3.4]



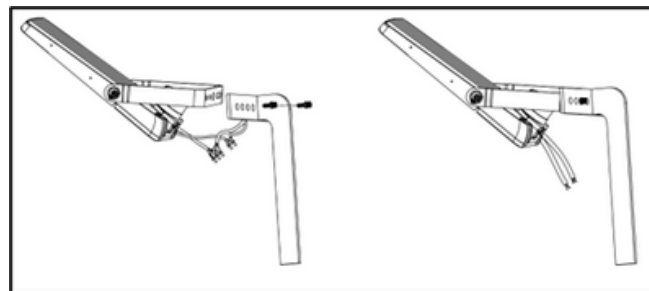
[3.5]

YOKE MOUNT

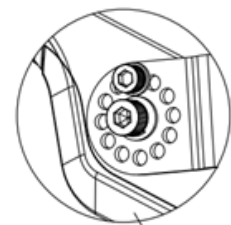
1. Secure the yoke bracket to the light fixture by tightening the two larger screws on each end of the bracket. [4.1] [4.3]
2. Secure the bracket to a suitable location with screws. [4.2]
3. Make appropriate wiring connections as per wiring diagram [7.1].
4. Adjust the angle of the mount by using the right hole for the small bolt (M5) and tighten the larger bolt (M8) with Allen key.



[4.1]



[4.2]



LOOSEN THE ANGLE TO ADJUST THE SCREW, AFTER ADJUST TO THE ANGLE THAT YOU NEED, THEN TIGHTEN THE SCREWS.

[4.3]

INSTALLATION INSTRUCTIONS

ADJUST CCT/WATTAGE & BEAM DISTRIBUTION

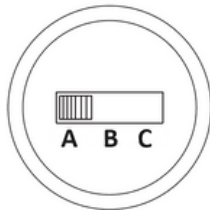
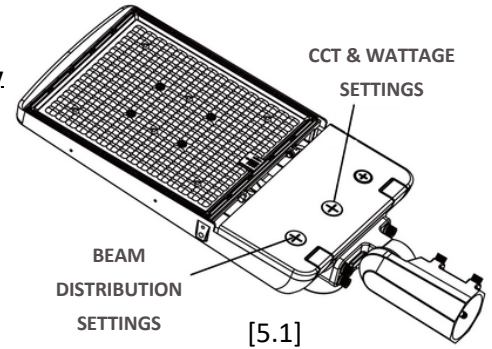
NOTE: CCT & Beam Distribution Selectable features are available on JAGxS-LED only.

1. Loosen the plug to access the Color Temperature (CCT), & Wattage and Beam Distribution settings. [5.1] [5.2] [5.3] [5.4]
2. Following is the default settings:

JAGxS-LED: Highest Wattage, 4000K CCT and T3 Beam Distribution

JAGx-LED: Highest Wattage

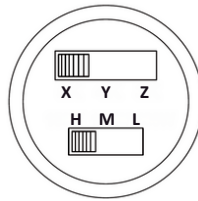
3. Secure the plug back to original position.



[5.2]

Beam Distribution Settings for JAGxS-LED only.

A/B/C represents T2/T3/T4 or T3/T4/T5

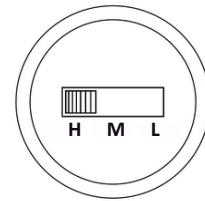


[5.3]

CCT & Wattage Settings for JAGxS-LED only.

X/Y/Z represents 5000K/4000K/3000K

H/M/L represents High, Medium and Low wattage settings



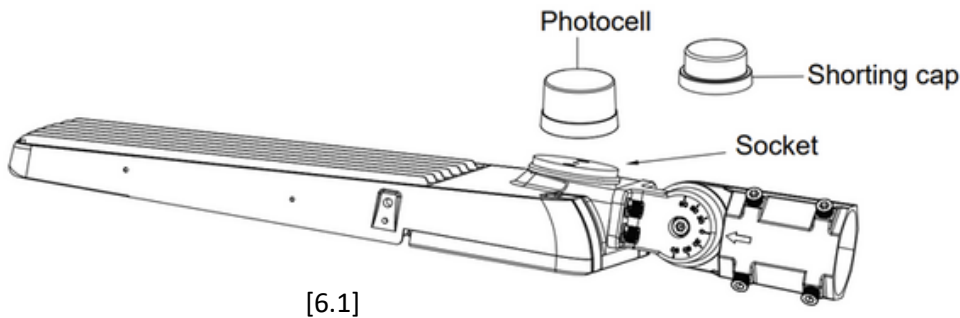
[5.4]

Wattage Settings for JAGx-LED only.

H/M/L represents High, Medium and Low wattage settings

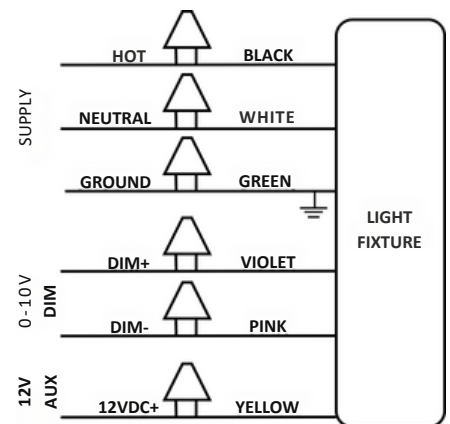
INSTALLING PHOTOCONTROL OR SMARTCONTROL

1. Remove the shorting cap
2. Place the photocontrol or smart control device in the receptacle and twist it in



WIRING

- Check that the line voltage is correct.
- Connect fixture **GROUND** (green) wire to power supply **GROUND** (green) wire.
- Connect fixture **WHITE** wire to power supply **NEUTRAL** wire.
- Connect fixture **BLACK** wire to power supply **LINE** wire
- The fixture includes 0-10V dimming functionality.
- If desired, remove the end caps from the **PINK** and **VIOLET** wires and connect them to the dimming controller.
- The fixture includes a 12V auxiliary wire. If desired, remove the end caps from the **YELLOW** wire and connect them to a device.



[7.1]