

INSTALLATION INSTRUCTIONS**WARNING**

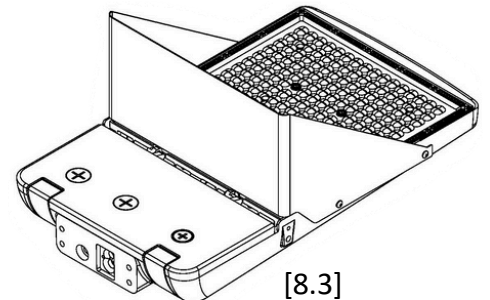
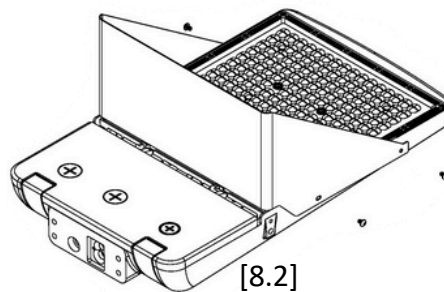
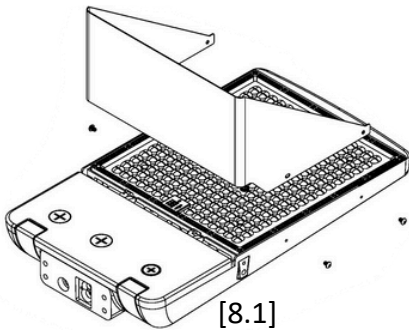
Disconnect the Electrical supply power at the service panel (fuse or circuit breaker box). Failure to do so could result in serious injury or death. Only qualified electricians should install this fixture and the installation **MUST** conform to the Canadian Electrical Code Part I and all local codes and ordinances. Ensure that only proper tools, materials, and equipment are used to complete the installation.

SAFETY

- Proper grounding is required to ensure personal safety.
- Fixture should be mounted in locations where unauthorized personnel will not readily subject it to tampering.
- Do not use this equipment for anything other than its intended purpose.
- Servicing this equipment should be performed by qualified service personnel.
- Save these instructions.

INSTALLING HOUSE SIDE CUTOFF

1. Unpack the house cutoff shield and the 4 included screws [8.1].
2. Align the cutoff shield on the fixture [8.2].
3. Secure it using the 4 screws as shown [8.3].

**INSTALLING SIDE CUTOFF**

1. Unpack the side cutoff shield and the 2 included screws [9.1].
2. Align the cutoff shield on the fixture, ensure the arrow is pointing away from the housing [9.2].
3. Secure it using the 2 screws as shown [9.3].

