



LFX4-LED40

Linear Vapourproof Fixture



IDEAL APPLICATIONS



DESCRIPTION:

New and improved IP66 linear vapourproof fixture that is rugged in design, with conduit entries on the back and the side for ease on installation.

FEATURES:

Construction

Polycarbonate UV stabilized housing with opal lens. The lens attaches to the fixture using 6 stainless steel clips on either side. The LFX4-LED60 is ideal for mounting heights between 8' – 10' creating a wide even light distribution because of its rounded opal lens.

Lens

Fixture has a high grade polycarbonate lens that is UV stabilized.

LED information

The fixture contains a high efficiency LED strip that delivers a total output of 5,379 lumens at an efficacy of 134 lumens/watt. LEDs have a colour temperature of 4000K as standard, 5000K is available as an option.

Finish

Grey Polycarbonate Finish

Electrical

Total system wattage of the unit is 62W. The standard unit has a high efficiency driver that operates at 120 - 277V. 347V is available as an option.

Mounting

Fixture comes with 2 stainless steel mounting brackets that facilitate quick and easy mounting direct on the wall or ceiling. Additional mounting options include suspended chain mount.

There are 4 conduit entries on the bottom and one conduit entry on either side.

Options

- Integrated High Frequency Sensor
- Battery backup

SPECIFICATIONS

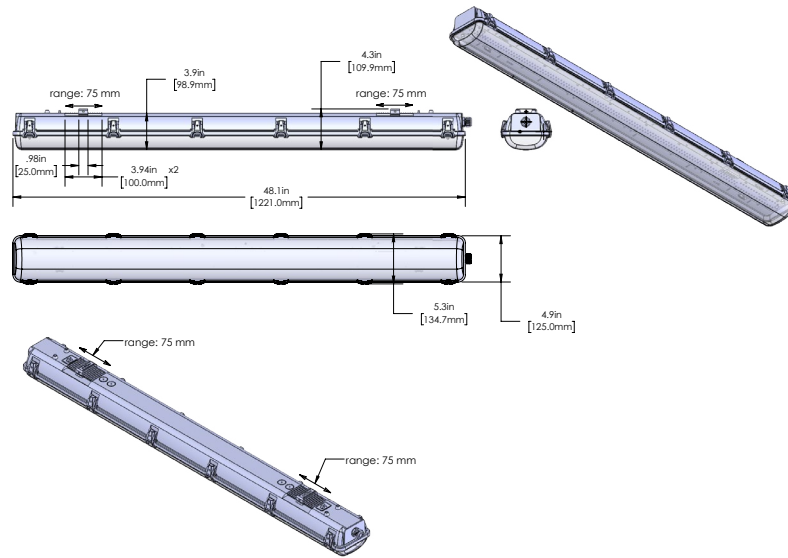
LFX4-LED40

| | |
|-----------------|---|
| Watts (W) | 41 |
| Equivalent to | > 3 lamp T5 fluorescent fixture |
| Lumens (Lm) | 5,379 |
| Voltage | 120-277V, 347V |
| Efficacy (Lm/W) | 134 |
| Operating Temp. | -40°C to +40°C |
| Colour Temp. | 4000K (standard) 5000K (option) |
| Dimming | 0-10V Dim (10% to 100%) |
| CRI | >80 |
| PF | 0.9 |
| THD | 14.85% |
| LED Life | 100,000 Hours |
| Finish | Grey |
| Certifications | UL, IP66, DLC Premium, NEMA 4X, NSF, Wet Locations, 5 Year Warranty |



This product is not suitable for car washes. Please see our LFW-LED series for car wash applications.

DIMENSIONS:

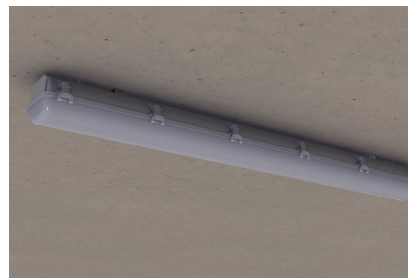


NOTE: Not for use in car wash facilities.

EASY INSTALLATION:



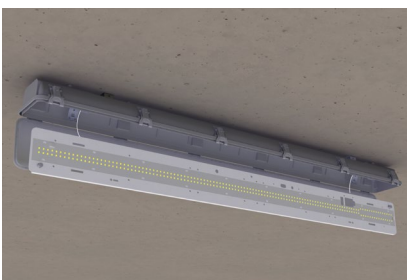
1. Mount stainless steel clips on the surface



2. Mount fixture onto clips



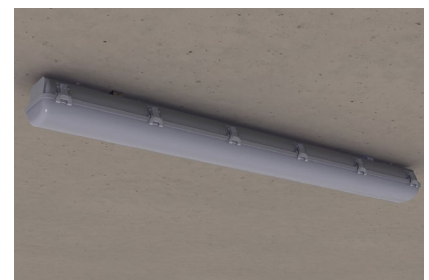
3. Open up the lens by unhooking polycarbonate clips on one side



4. Remove LED tray using the pull tabs on either side of the fixture
5. Both tray and lens hang while tethered to the fixture using a clip and lock system.
6. Connect wires using quick connects



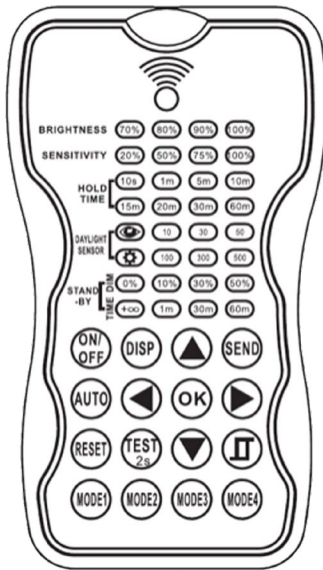
7. Reattach the tray to the fixture



8. Reattach the lens to the fixture

DHFS MOTION SENSOR

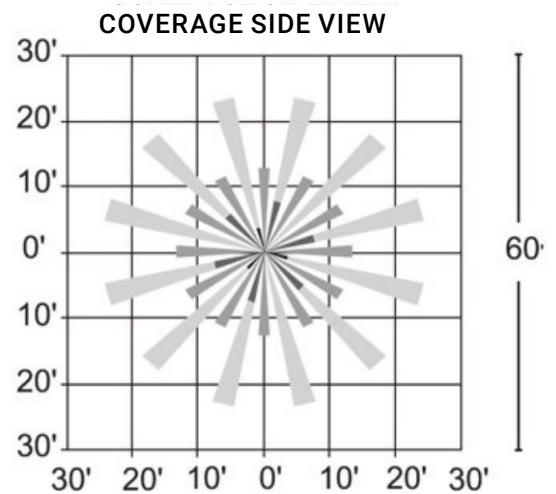
Dimming High Frequency Motion Sensor is factory installed.



| DEFAULT SENSOR SETTINGS | | | | | |
|-------------------------|-------------|-----------|-----------------|--------------|---------------|
| BRIGHTNESS | SENSITIVITY | HOLD TIME | DAYLIGHT SENSOR | STAND-BY DIM | STAND-BY TIME |
| 100% | 100% | 5 minutes | Disabled | DIM: 30% | 60 minutes |

| DHFS SENSOR SPECIFICATIONS | |
|-------------------------------|---|
| POWER SUPPLY | 100-277 VAC, SINGLE PHASE, 60HZ 100-347 VAC, SINGLE PHASE, 60HZ 208/230/480 VAC, PHASE TO PHASE, 60HZ |
| MAXIMUM LOAD | 100-120 VAC, 800W, TUNGSTEN 100-120 VAC, 800W, ELECTRONIC BALLAST/LED DRIVER 230-240 VAC, 300W, ELECTRONIC BALLAST/LED DRIVER 277 VAC, 1200W, ELECTRONIC BALLAST/LED DRIVER 347 VAC, 1200W, ELECTRONIC BALLAST/LED DRIVER 480 VAC, 480W, ELECTRONIC BALLAST/LED DRIVER |
| HIGH FREQUENCY SYSTEM | 5.8GHZ +/-75MHZ |
| DIM CONTROL OUTPUT | 0-10V DC DIMMING, 25MA |
| DETECTION RADIUS/ANGLE | MAX 8M (26FT) AT 360° |
| MOUNTING HEIGHT | MAX 6M (20FT) |
| HUMIDITY | MAX 95% RELATIVE HUMIDITY |
| OPERATING TEMP. | -40°C TO +70°C |
| CYCLES | 200,000 ON/OFF CYCLES |
| CERTIFICATIONS | CRUUS, FCC |
| PROGRAMMING | WIRELESS PROGRAMMING USING RC-100 REMOTE |

DHFS DETECTION RANGE & RADIUS/ANGLE



ORDERING GUIDE:

| Fixture | Wattage | Voltage | Colour Temp. | Finish | Dimming | Lighting Controls | NSF | NEMA4X | Battery Back Up |
|---------|---------|---------------------------|--------------------------|------------|---------------------|---|--------------------|--------------|---|
| LFX4 | LED40 | B - 120-277V C - 347V* | 4K - 4000K 5K - 5000K | GRY - Grey | DIM - 0-10V Dimming | Leave Blank - None* DHFS** - Dimming High frequency motion sensor (can be set as ON/OFF) | FS - NSF Certified | N4X - NEMA4X | Leave Blank - No Battery Backup BBK** - Battery Backup |

** Not DLC listed

ORDERING GUIDE FOR ACCESSORIES

Options Sold Separately

Check the items that you wish to order:

087016 - RC100 Motion Sensor Remote Control