



VP4-LED35

LED Narrow Linear Vapourproof

SPECIFICATIONS*

Watts	35W
Lumens	4416
Efficacy (Lm/W)	126
Replaces Up To	2 Lamp T8
Colour Temp.	4000K, 5000K
Certification	cULus, IP65, DLC
Operating Temp.	-30C to +40C
Voltage	120-277
LED Life	100,000 hours
Housing Material	Polycarbonate
Lens Material	Polycarbonate
Lens Type	Frosted
Mounting	Surface mount
Total Harmonic Distortion	11.14%
Power Factor	0.9555
CRI	84



DESCRIPTION

The VP4 is a four foot linear vapourproof fixture ideal for use in wet locations both indoors and outdoors in parking garages, commercial and industrial facilities. This product is not suitable for car washes. Please see our LFW-LED series for car wash applications

APPLICATIONS



Parking
Garages



Commercial
Facilities



Industrial
Facilities

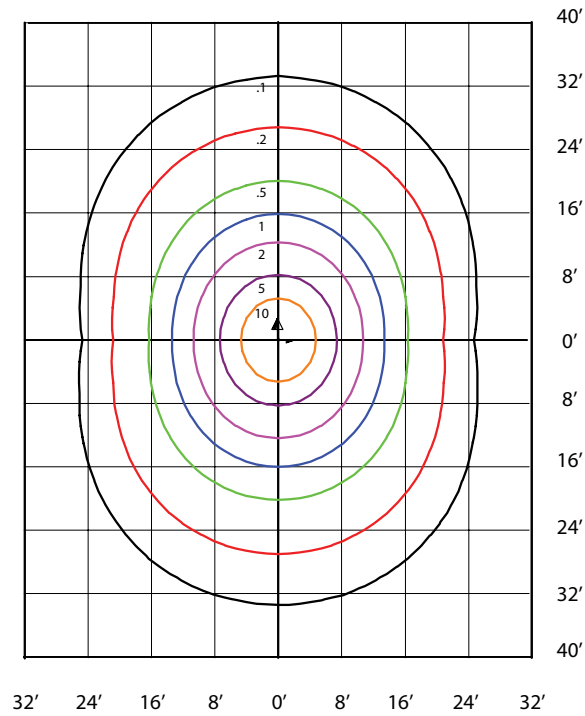
FEATURES

- 4' narrow linear vapourproof fixture.
- Polycarbonate housing with frosted lens.
- 10 polycarbonate clips for locking lens to the housing.
- 0-10V Dimming is standard.
- Predrilled conduit entries for ease of installation.
- Folding junction box cover in white paint finish included.
- Adjustable stainless steel mounting brackets.

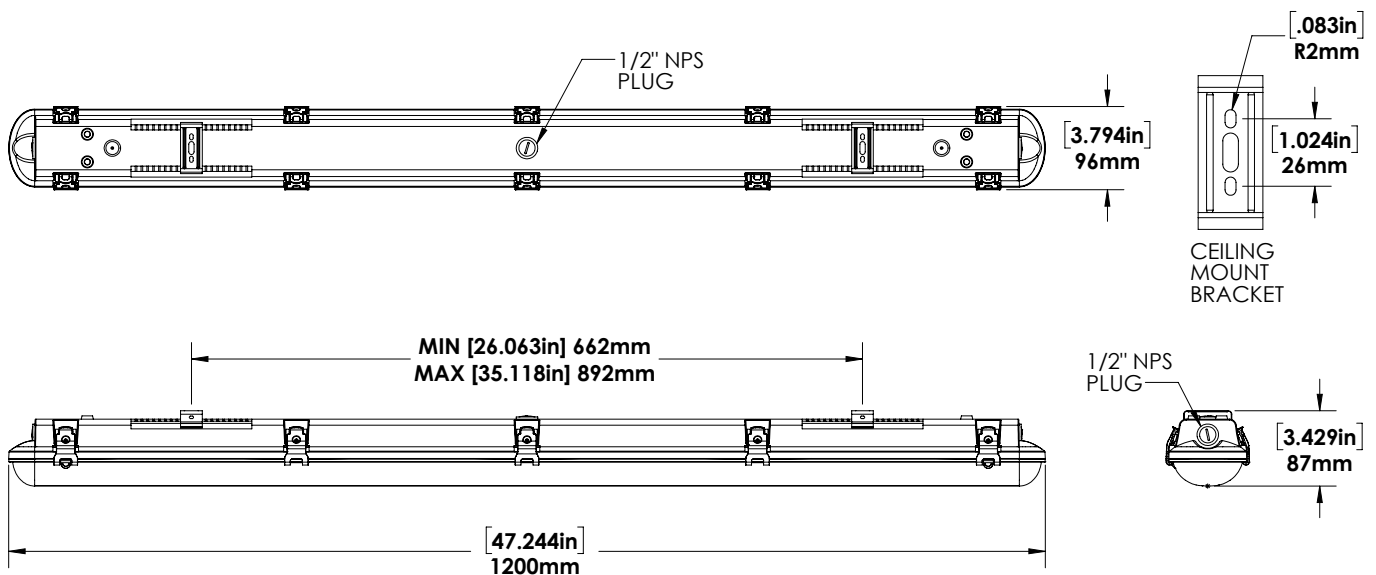
*The above specs apply to the VP4-LED35-B-4K-DIM. For spec information on other product configurations please see page 3.

PHOTOMETRICS

**VP4-LED35-B-4K-DIM
MOUNTED AT 8 FEET**



DIMENSIONS



OTHER MODEL SPECIFICATIONS

DESCRIPTION	VOLTAGE (V)	INPUT POWER (W)	LIGHT OUTPUT (Lm)	EFFICACY (Lm/W)	THD (%)	PF	CCT (K)	CRI
VP4-LED35-B-4K-DIM	120-277	35.01	4415.8	126.13	11.14	0.9555	4000	84
VP4-LED35-B-5K-DIM	120-277	35.11	4605	131.159	10.56	0.9544	5000	83.4

LEGEND

B - 120V-277V

4K - 4000K, 5K - 5000K

DIM - 0-10V Dimming

ORDERING GUIDE

VP4	LED35			
WATTS	VOLTAGE	COLOUR TEMP.	DRIVER	
	B - 120 - 277V	4K - 4000K 5K - 5000K	DIM - 0-10V Dimming	

ACCESSORIES (SOLD SEPARATELY)

092864 VP4-LED SST CLIPS KIT
(STAINLESS STEEL CLIPS
KIT - 10 CLIPS)