

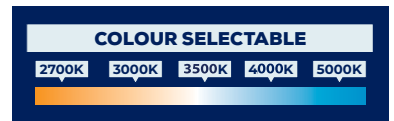


# RDL4-LED

## 4" Round Downlight



Fixture with driver box



### IDEAL APPLICATIONS:

- ✓ Hallways
- ✓ Offices
- ✓ Living Rooms
- ✓ Kitchens
- ✓ Retail Stores
- ✓ Residential Settings

### DESCRIPTION:

4" down light edge-lit with dimmable driver ideal for new construction and remodeling projects in residential and commercial applications. 5 position switch on driver box for adjusting colour temperature. Approved for use in Insulated Contact Ceiling.

### FEATURES:

- Die cast aluminum outer frame with powder coated white paint finish and polystyrene frosted lens.
- Slim Profile – fixture is less than 0.5 inches and junction box is less than 1.4 inches.
- Colour Selectable Unit – choose between 2700K/3000K/3500K/4000K/5000K using a switch on the junction box.
- IC (Insulation Contact) Rated Recessed Downlight with driver junction box. IC Rated implies that the unit is approved for direct contact with insulation.
- Fixture has high performance edge-lit LEDs with a CRI greater than 80, delivering an even spread of light.
- 26.5" cable length and external mounting tabs on the junction box for easy installation. Template for ceiling hole included in box.
- Fixture is dimmable using a TRIAC dimmer.

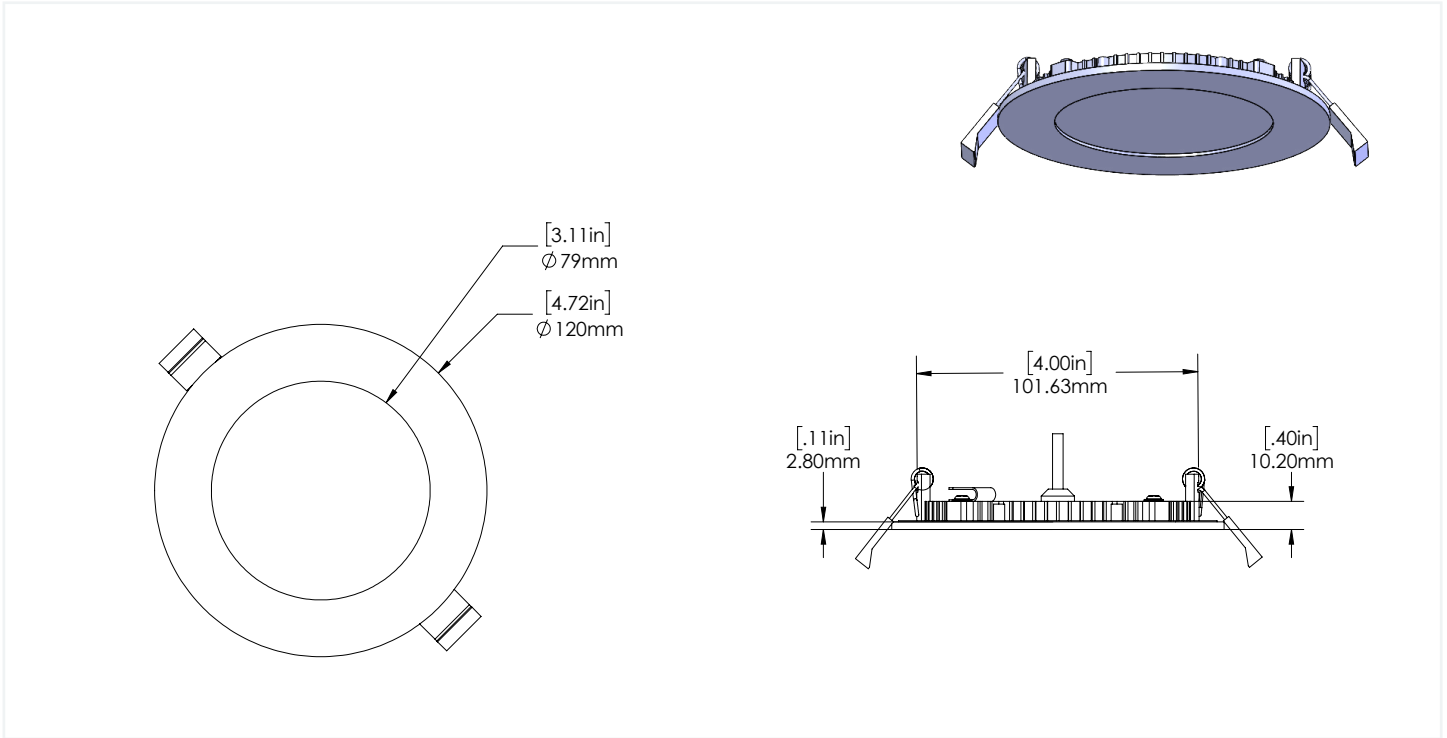
### SPECIFICATIONS:

|                                |   |
|--------------------------------|---|
| Size (in)                      | 4"  |
| Input Power                    | 10.2W   |
| Lumens                         | 645.3 lm  |
| Efficacy                       | 63.3 lm/W   |
| Voltage                        | 120V  |
| CCT (K)                        | Variable Kelvin<br>(2700K/3000K/3500K/4000K/5000K)        |
| CRI                            | 81.4  |
| Dimming                        | TRIAC (10%-100%)  |
| Power Factor                   | 0.97  |
| LED Life (L81)                 | 100,000 hours   |
| Housing Finish                 | White   |
| Housing Details                | Die Cast Aluminum   |
| Lens Details                   | Frosted Lens  |
| Conduit Entries (Junction Box) | Two 1/2" knockouts  |
| Cable Length                   | 26.5"   |
| Operating Temp.                | -20°C to +40°C (-4°F to +104°F)                           |
| Certifications                 | ETL, IC Rated, Energy Star, Wet Location, 5 Year Warranty |

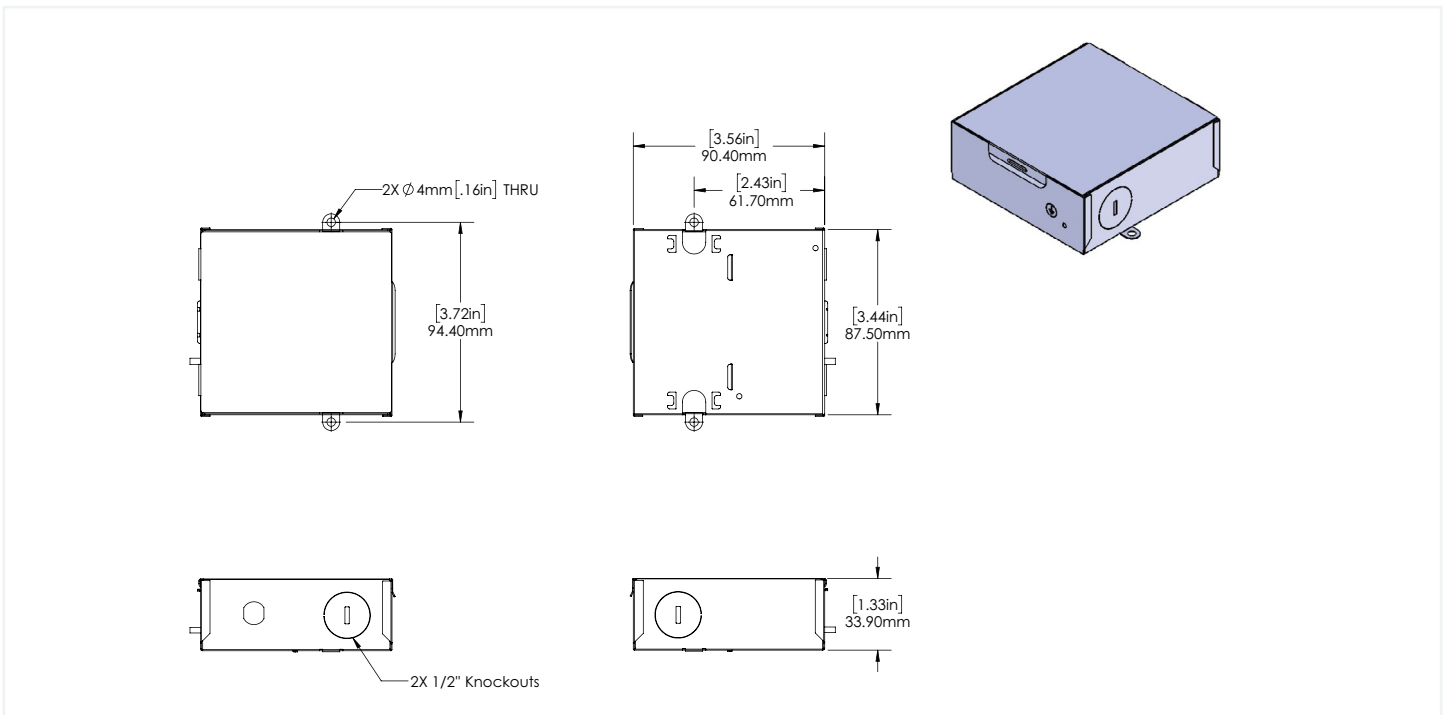
Values shown are for 4000K setting.



**DIMENSIONS:**



**DRIVER BOX DIMENSIONS:**

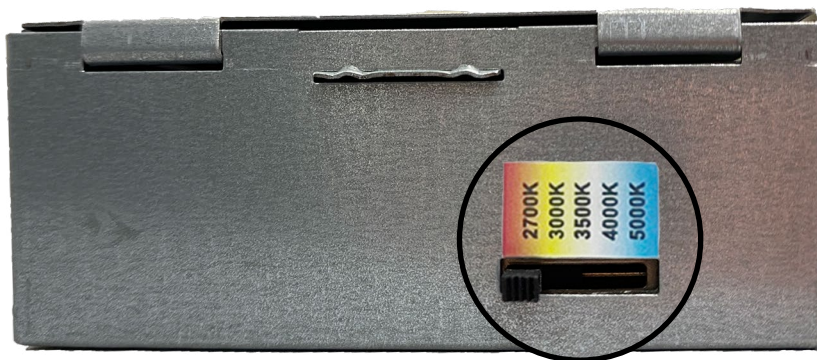


## COLOUR SELECTABLE SWITCH

The switch is located on the side of the driver box

Easily change the colour temperature with a flip of a switch.

Left to Right:  
2700K/ 3000K/ 3500K/  
4000K/ 5000K



### AMPERAGE DRAW

| AMPERAGE DRAW |             |
|---------------|-------------|
|               | CURRENT (A) |
|               | 120V        |
| RDL4-LED      | 0.1A        |

### TM-21 ESTIMATED LUMEN MAINTENANCE

|          | 50,000 Hours | 75,000 Hours | 100,000 Hours |
|----------|--------------|--------------|---------------|
| RDL4-LED | 90.3%        | 85.7%        | 81.4%         |

Life hours are derived from IESNA LM-80 testing report and projected per IESNA TM-21 calculations.

## ORDERING GUIDE:

|             |              |          |           |            |              |  |
|-------------|--------------|----------|-----------|------------|--------------|--|
| <b>RDL4</b> | <b>LED10</b> | <b>A</b> | <b>VK</b> | <b>WHT</b> | <b>TRIAC</b> |  |
|-------------|--------------|----------|-----------|------------|--------------|--|

| Fixture | Wattage | Voltage  | Colour Temp.                                   | Finish      | Dimming               | Packaging  |
|---------|---------|----------|--|-------------|-----------------------|--|
|         | LED10   | A - 120V | VK - Colour Selectable<br>(2.7K/3K/3.5K/4K/5K) | WHT - White | TRIAC - TRIAC Dimming | BLANK - Individual packaging<br><br>1/12 - 12 PCS Bulk Packaging |

### STOCK CODES:

|        |                                |
|--------|--------------------------------|
| 081567 | RDL4-LED10-A-VK-WHT-TRIAC      |
| 083755 | RDL4-LED10-A-VK-WHT-TRIAC-1/12 |

### RECOMMENDED DIMMER LIST:

| Brand Name: | Model Number:                          |
|-------------|--|
| LUTRON      | DVELV-300P                             |
|             | DVELV-303P                             |
|             | MAELV-600                              |
|             | CTELV-303P                             |
| LEGRAND     | RH703PTUW (Only in reverse phase mode) |
| LEVITON     | 66EV-10W                               |
|             | DSE06-10Z                              |