



RAY8S-LED

Bollard LED



IDEAL APPLICATIONS

- Walkways
- Parkettes
- Condos
- Townhouses

DESCRIPTION:

The RAY8S-LED bollard is a square, architectural bollard in a sleek design that provides uniform, even illumination. The RAY8S is available Type V (360°) and Type III (270°) distributions.

FEATURES:

Construction

- Body is made from extruded aluminum. The cast aluminum base is secured with stainless steel set screws. Body has a powder coat finish.

Optics

- Two light distributions available; Type V / 360° (RAY8S-LED35) Type III / 270° (RAY8S-LED25) is an option.

LEDs

- Colour temperature is 4000K standard, 5000K and 3000K are available as options.

Electrical

- Standard Unit has a 120-277V high efficiency driver. 347V is an option.

Finish

- Standard powder coat finish is bronze or matte black, Custom colours are available upon request.

SPECIFICATIONS	RAY8S-LED25	RAY8S-LED35
Watts (W)	25	34.2
Lumens (Maximum)	3494	4833
Efficacy (Lm/W)	139.9	141.3
Beam Distribution	Type III - 270°	Type V - 360°*
Colour Temp	3000K/4000K*/5000K	
Voltage	120-277V*, 347V	
CRI	75	
THD	16.9%	
Dimming	0-10V Dimming	
PF	0.9	
LED Life @ 100,000 Hours	76%	
Finish	Bronze*, Matte Black, Custom Colour	
Housing Details	Aluminum	
Lens Details	Clear PC Lens	
Operating Temp.	-30°C to 40°C	
Certifications	UL, Wet Location, IP65	

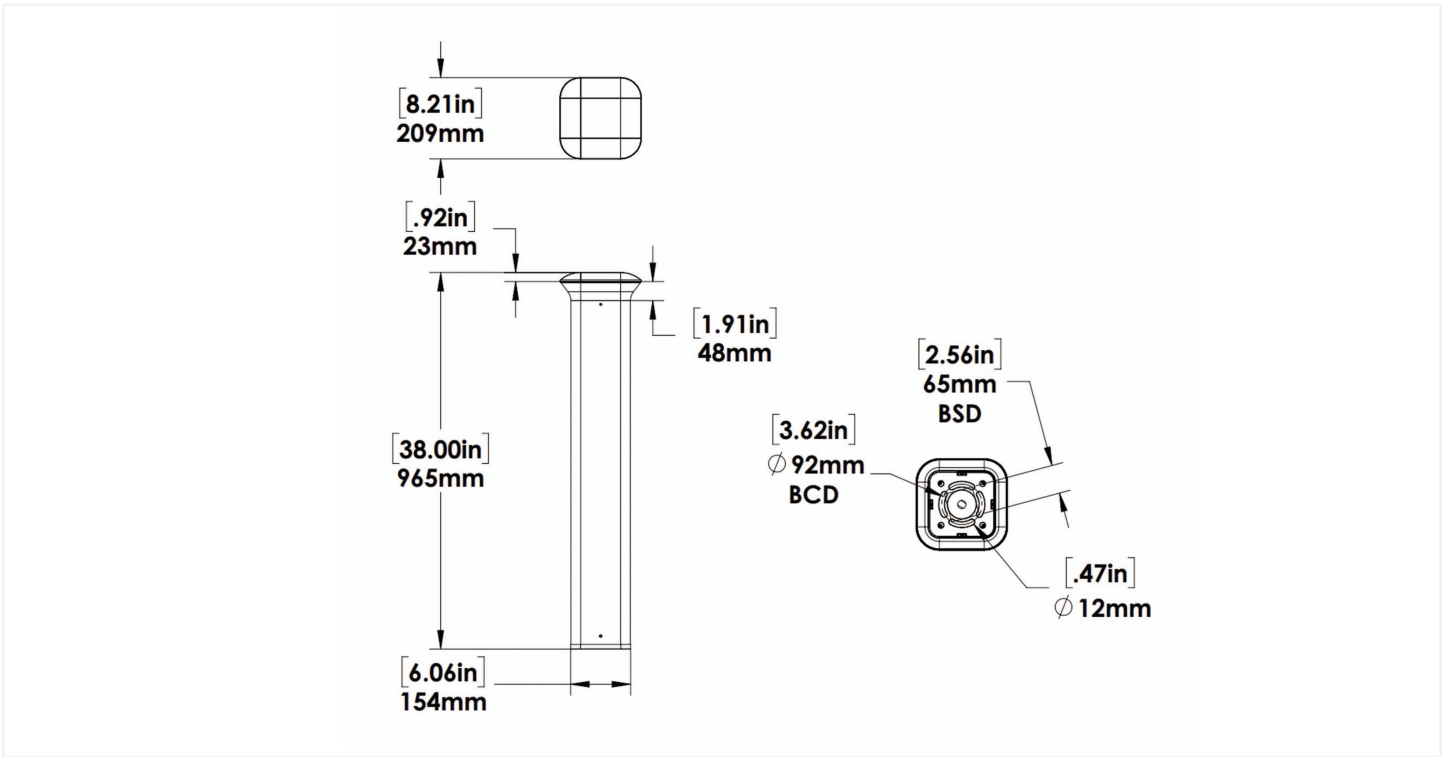
* Standard Configuration

120-277V voltage is DLC Premium, 347V voltage is DLC Standard

Note: Specs mentioned above are for 120-277V, 4000K CCT. Please refer to the table on page 3 for specifications of other configurations



DIMENSIONS:



AMPERAGE DRAW & SURGE PROTECTION							
	CURRENT (A) FOR MAXIMUM WATTAGE					SURGE PROTECTION (kV)	
	120V	208V	240V	277V	347V	120-277V	347V
RAY8S-LED	0.31A	0.18A	0.16A	0.14A	0.11A	2kV	

TM-21 ESTIMATED LUMEN MAINTENANCE						
	50,000 Hours		75,000 Hours		100,000 Hours	
	RAY8S-LED	87.2%		81.2%		75.6%

WEIGHTS (lbs)	
RAY8S-LED	17.2

SPECIFICATIONS								
Model Number	Voltage (V)	Power (W)	Light Output (lm)	Efficacy (lm/W)	THD (%)	PF	CCT (K)	B-U-G
RAY8S-LED25-B-3K-270-XXX-DIM	120-277	25	3257	130.4	16.9	0.903	3000	1-3-2
RAY8S-LED25-B-4K-270-XXX-DIM	120-277	25	3494	139.9	16.9	0.903	4000	1-3-2
RAY8S-LED25-B-5K-270-XXX-DIM	120-277	25	3568	142.9	16.9	0.903	5000	1-3-2
RAY8S-LED25-C-3K-270-XXX-DIM	347	28	3257	116.7	13.2	0.939	3000	1-3-2
RAY8S-LED25-C-4K-270-XXX-DIM	347	28	3494	125.2	13.2	0.939	4000	1-3-2
RAY8S-LED25-C-5K-270-XXX-DIM	347	28	3568	127.9	13.2	0.939	5000	1-3-2
RAY8S-LED35-B-3K-360-XXX-DIM	120-277	34	4505	131.8	16.9	0.903	3000	2-3-2
RAY8S-LED35-B-4K-360-XXX-DIM	120-277	34	4833	141.3	16.9	0.903	4000	2-3-2
RAY8S-LED35-B-5K-360-XXX-DIM	120-277	34	4935	144.3	16.9	0.903	5000	2-3-2
RAY8S-LED35-C-3K-360-XXX-DIM	347	38	4505	117.9	11.5	0.942	3000	2-3-2
RAY8S-LED35-C-4K-360-XXX-DIM	347	38	4833	126.5	11.5	0.942	4000	2-3-2
RAY8S-LED35-C-5K-360-XXX-DIM	347	38	4935	129.2	11.5	0.942	5000	2-3-2

ORDERING GUIDE:

RAY8S-LED						DIM	
Fixture	Wattage	Voltage	Colour Temp.	Optics	Finish	Dimming	Misc.
	LED35*	B - 120-277V*	3K - 3000K	360 - Type V* (Only Available in LED35)	BRZ - Bronze* BLK - Matte Black CST - Custom Colour	DIM - 0-10V Dimming	BLANK SP10 - 10kV Surge Protection
	LED25	C - 347V	4K - 4000K* 5K - 5000K	270 - Type III (Only available in LED25)			

* Standard Configuration