



# CONTROLLED

## Bluetooth 3-Key AC Line Voltage Wall Switch

### OVERVIEW

The ControlLED Bluetooth 3-key AC line voltage wall switch offers seamless control of luminaires.. This retrofit solution is designed to provide programmable settings through the ControlLED Mobile App, making it a versatile and convenient option for modern lighting systems.

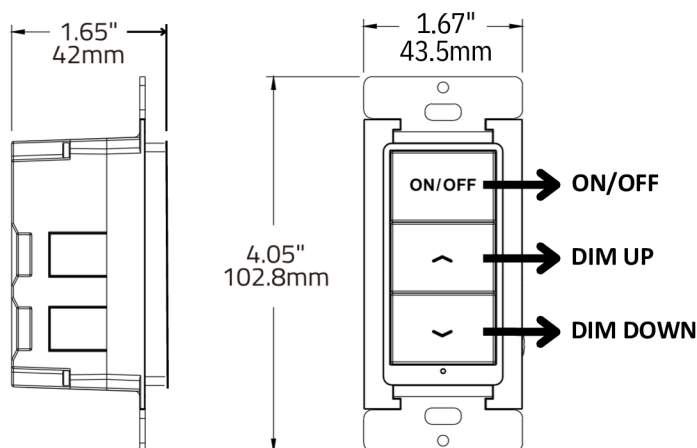
### FEATURES

- Turn a group of luminaires ON/OFF and control dimming
- Retrofit installation for existing wiring
  - (Neutral is required)
- Compatible with all standard wall plates
  - (Not included)
- Bluetooth mesh network
- DLC - Networked Lighting Control (NLC)

### INSTALLATION

- 1) Uninstall the existing wall switch (if retrofitting).
- 2) Install the new wall switch and wire the hot, neutral and ground wires.
- 3) Program the sensor with the desired settings using the ControlLED Mobile App (please refer to the ControlLED App manual for instructions).

### DIMENSIONS



### SPECIFICATIONS

<b>Input Voltage</b>	120-277VAC
<b>Input Current</b>	10mA Max.
<b>Bluetooth Transmit</b>	100ft Max.
<b>Radio Frequency</b>	2.4GHz ±75MHz
<b>Bluetooth Version</b>	5.0
<b>Housing Material</b>	Polycarbonate (UL 94-5VA)
<b>Housing Finish</b>	White Plate & Black Housing
<b>Indoor/Outdoor Use</b>	Indoor Use Only
<b>Operating Temperature</b>	0°C to 40°C (32°F to 104°F)
<b>Storage Temperature</b>	-30°C to 85°C (-22°F to 185°F)
<b>IP Rating</b>	IP20
<b>Programming Tool</b>	Programmable using the ControlLED App

### STOCK CODE

**084215** BLUETOOTH 3-KEY AC LINE VOLTAGE WALL SWITCH

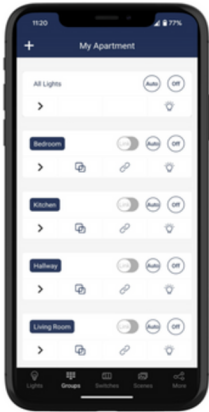


SPECIFICATIONS & COMMISSIONING

# CONTROLLED



ControlLED Network Lighting Controls (NLC) delivers secure, wireless lighting management with Bluetooth Mesh and the ControlLED App. Integrated sensors enable automatic adjustments for comfort, safety, and efficiency.



**Organized Workspaces:**  
Create Zones, Groups and Group linkages.



**Dimming Lights:**  
Set dim level for groups or individual lights.



**Motion and Daylight Harvest Sensors:**  
Custom sensor settings for groups or individual lights.



**Scenes:**  
Create custom scenes for different scenarios.

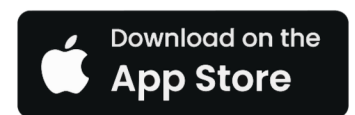


**Schedules:**  
Create custom schedules for recurring events.



**Share Access:**  
Share access using QR codes.

## Get the App!



**Engineered by skilled hands,  
for skilled hands.**

© RAB Design Lighting Inc. 2025. All rights reserved.  
For more information, visit [rabdesign.ca](http://rabdesign.ca).