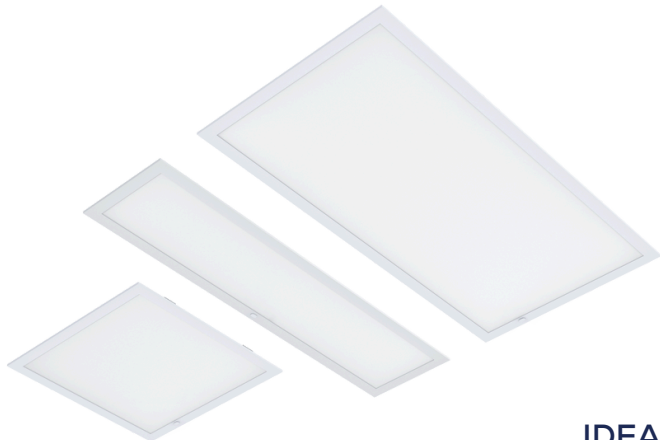




CPLH-LED

Indoor Ceiling Light



The RAB DESIGN CPLH is a ceiling panel light that combines high performance, intelligent design, and exceptional value. With advanced features like sensor-ready panels – including PIR sensor, high efficacy, and field-adjustable switches, it's engineered to deliver unmatched efficiency and energy savings and versatility at a fair price.

IDEAL APPLICATIONS

- ✔ Commercial Spaces
- ✔ Offices
- ✔ Convenience Stores
- ✔ Retail Spaces
- ✔ Schools

SPECIFICATIONS

| | CPLH14 | CPLH22 | CPLH24 |
|--|--|-------------------|-------------------|
| PERFORMANCE | | | |
| Light Output | 5800/4200/2800 lm | 5800/4200/2800 lm | 7100/5600/4200 lm |
| Efficacy | 145 lm/W | 145 lm/W | 142 lm/W |
| CCT | CCT Selectable - 3500K/4000K/5000K | | |
| Beam Angle | 110° | | |
| LED Lifetime (L80) | >100,000 Hours | | |
| CRI | 83 | 83 | 83 |
| ELECTRICAL | | | |
| Wattage | 40/30/20W | 40/30/20W | 50/40/30W |
| Voltage | 120-347 V | | |
| Surge Protection | 2kV (Built-in Driver) as per IEC/EN61000-4-5 | | |
| Power Factor | ≥0.9 | | |
| THD | ≤20% | | |
| Dimming | 0-10V (5-100% Dimming, Dim to Off) | | |
| AMBIENT OPERATING TEMPERATURE | | | |
| Fixture | -20°C to 40°C (-4°F to 104°F) | | |
| DEFAULT SETTINGS | | | |
| CCT | 4000K | | |
| Wattage | 40W | 40W | 50W |
| MOUNTING | | | |
| Recessed in T-bar grid ceiling with integral earthquake clips Surface mount, Suspension mount, Recessed drywall kit sold separately | | | |

| CERTIFICATIONS | | | | | |
|--|--------------------------------|-------------|-------------|-------|-------|
| cULus Listed for Canada and USA, per UL 1598, CSA C22.2 No. 250.0, DLC Premium | | | | | |
| FIELD INSTALLED CONTROLS | | | | | |
| Bluetooth PIR Motion Sensor | | | | | |
| PIR Motion Sensor (RC-500 remote needed to operate sensor) | | | | | |
| CONSTRUCTION | | | | | |
| Housing | Steel housing + Aluminum Frame | | | | |
| Lens | PMMA Lens | | | | |
| Finish | White | | | | |
| WEIGHT (FIXTURE ONLY) | | | | | |
| CPLH14 | 4.40 lbs | | | | |
| CPLH22 | 4.40 lbs | | | | |
| CPLH24 | 8.20 lbs | | | | |
| MAX AMPERAGE DRAW (A) | | | | | |
| | 120V | 208V | 240V | 277V | 347V |
| CPLH14 | 0.350 | 0.200 | 0.170 | 0.150 | 0.120 |
| CPLH22 | 0.350 | 0.200 | 0.170 | 0.150 | 0.120 |
| CPLH24 | 0.440 | 0.260 | 0.220 | 0.190 | 0.150 |
| LUMEN MAINTENANCE | | | | | |
| | L90 | L80 | L70 | | |
| | >60000 hrs | >100000 hrs | >100000 hrs | | |

Note: 1. Electrical and Light Performance data is based on LM79 test report at 4000K and 120V.
2. Life hours are derived from IESNA LM-80 testing report and projected per IESNA TM-21 calculations.




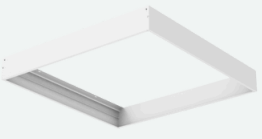







ORDERING GUIDE



| Fixture | Wattage | Voltage | Colour Temp. | Dimming | Controls | Options |
|---------|----------|--------------|--|---------------------|------------------------|---------------------------|
| CPLH14 | LED40A20 | H - 120-347V | VK - CCT Selectable (3500K/ 4000K/ 5000K) | DIM - 0-10V Dimming | SR - Sensor Receptacle | Blank - No Battery Backup |
| CPLH22 | LED40A20 | | | | | BBK8 - Battery Backup 8W |
| CPLH24 | LED50A30 | | | | | |

| STOCK CODE | |
|------------|-----------------------------|
| 033714 | CPLH14-LED40A20-H-VK-DIM-SR |
| 033722 | CPLH22-LED40A20-H-VK-DIM-SR |
| 033724 | CPLH24-LED50A30-H-VK-DIM-SR |

ACCESSORIES SOLD SEPARATELY

| | | | | | |
|--------|--|---|--------|--|---|
| 083786 | LOWBAY RC PIR MOTION/DLH PLUG-IN SENSOR |  | 072203 | SURFACE MOUNT KIT F/2x2 BACKLIT CPL,ECPL,CPLH-3" H |  |
| 083787 | LOWBAY BLUETOOTH PIR MOTION/DLH PLUG-IN SENSOR |  | 072403 | SURFACE MOUNT KIT F/2x4 BACKLIT CPL,ECPL,CPLH-3" H |  |
| 083789 | CONTROLLED RC-500 MOTION SENSOR REMOTE CONTROL |  | 071403 | SURFACE MOUNT KIT F/1x4 BACKLIT CPL,ECPL,CPLH-3" H |  |
| 084215 | BLUETOOTH 3-KEY AC LINE VOLTAGE WALL SWITCH 120-277VAC, 3-KEYS(ON/OFF, DIM+, DIM-) |  | 072204 | DRY WALL KIT F/1X4 BACKLIT ECPL/CPLH |  |
| 070016 | WIRING COMPARTMENT- 8.88" L X 2.44" W X 1.24" H |  | 072205 | DRY WALL KIT F/2X2 BACKLIT ECPL/CPLH |  |
| 070002 | 2 CABLE SUSPENSION MOUNT KIT F/CPL, CPLH |  | 072206 | DRY WALL KIT F/2X4 BACKLIT ECPL/CPLH |  |

Motion Sensor Specifications

| | |
|-------------------------------|-------------------------------------|
| Sensor Type | PIR Sensor/Bluetooth PIR Sensor |
| Microwave Frequency | 2.4GHz +/- 75MHz |
| Operating Voltage | 12VDC |
| Input Current | 25mA Max. |
| Operating Current | 10mA |
| Output Power | 0.1W |
| Output Current | 10mA Max. |
| Maximum Detection Range | 40 ft Max. |
| Maximum Mounting Height | 18 ft Max. |
| Bluetooth Version** | 4.2 |
| Bluetooth Transmit** | 100 ft Max. |
| Ambient Operating Temperature | -30°C to 55°C (-22°F TO 131°F) |
| Indoor/Outdoor Use | Indoor use only |
| IP Rating | IP20 |
| Installation | Field Installed Quick Plug-and-play |

Motion Sensor Programming

| | |
|------------------|---|
| Programming Tool | RC-500 Remote Control |
| Brightness | 50%/75%/100%* |
| Sensitivity | Sensitivity of surrounding motion OFF/LOW/HIGH* OFF indicates sensor mode is disabled and it will act as photocell only |
| Hold Time | After no motion for [HOLD TIME], the fixture dims from [TRIM-LEVEL] to [STANDBY DIM]. 30sec/5min*/15min/30min |
| Standby Dim | After no motion for [STANDBY TIME] after [HOLD TIME] has passed, the fixture turns off. 10sec/5min/15min/30min/60min*/∞ Select ∞ if the fixture should not turn off and should stay at [STANDBY DIM] level. |
| Standby Time | Fixture dims to this level after [HOLD TIME] has passed. 0%/10%/30%*/50% |

Notes:

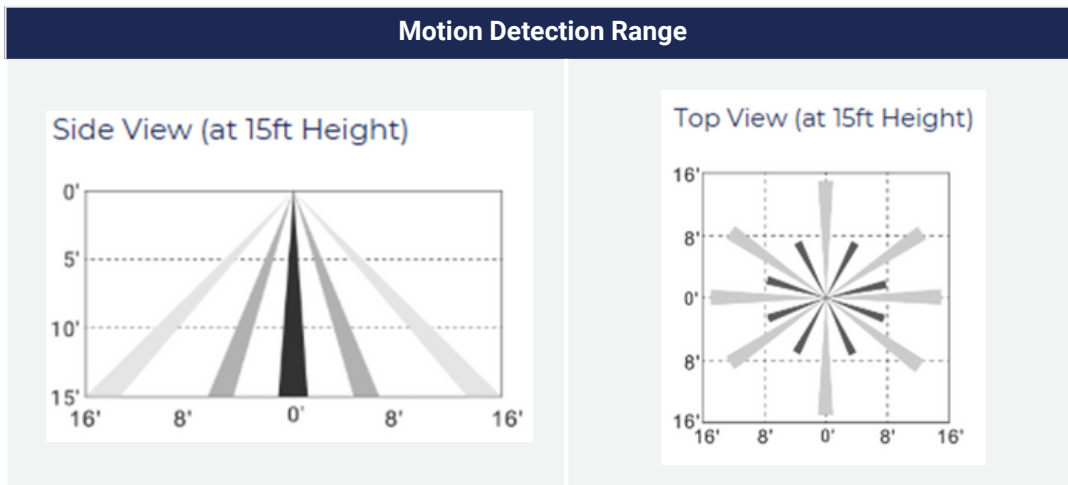
* refers to the default settings

** Applies to Bluetooth sensor only

Default Setting: Motion Sensor: ON, Occupancy/Vacancy Mode:Occupancy, High Trim: 100%, Sensitivity: High, Hold time: 20 min, Standby dim: 50%, Standby time: 1 min, Photocell: OFF, Linkage: OFF, Linkage level: 100%

For instructions on programming the motion sensor remote control, please see the Installation Instructions.

Motion Detection Range



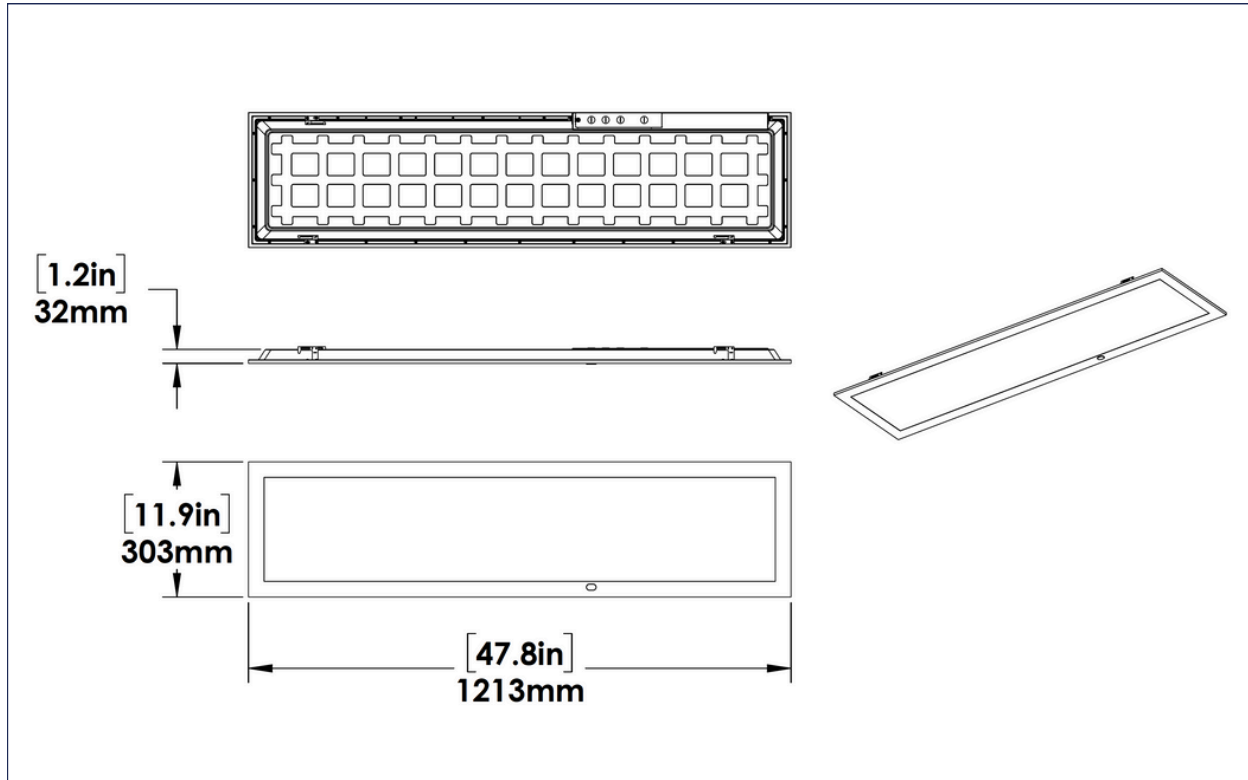
| Battery Backup Specifications | | | |
|-------------------------------------|--------------------------------|--------|--------|
| | CPLH14 | CPLH22 | CPLH24 |
| Rated Input Voltage | 100-347V, 100-277V AC, 50/60Hz | | |
| Input Current | 80mA max | | |
| Input Power | 5W max | | |
| Output Current Max (LED Load Input) | AC 6A Max | | |
| Output Voltage Range | DC15-50V, 55V max | | |
| Output Wattage (Emergency mode) | 8W, constant power | | |
| Battery Pack Voltage/Capacity | Li-ion 7.4V 2.6Ah 19.24Wh 2S1P | | |
| Recharge Current | 0-250mA | | |
| Recharge Time | 24 hours | | |
| Discharge Time | 90 minutes | | |
| Max. Casing Temperature | 70°C | | |
| Ambient Operating Temperature | 0-50°C | | |
| Service Life ¹ | 50 000 hours | | |
| RFI/EMI | FCC | | |

¹ When installed in the fixture, the system's ambient operating temperature is limited by the component with the lowest allowable range.

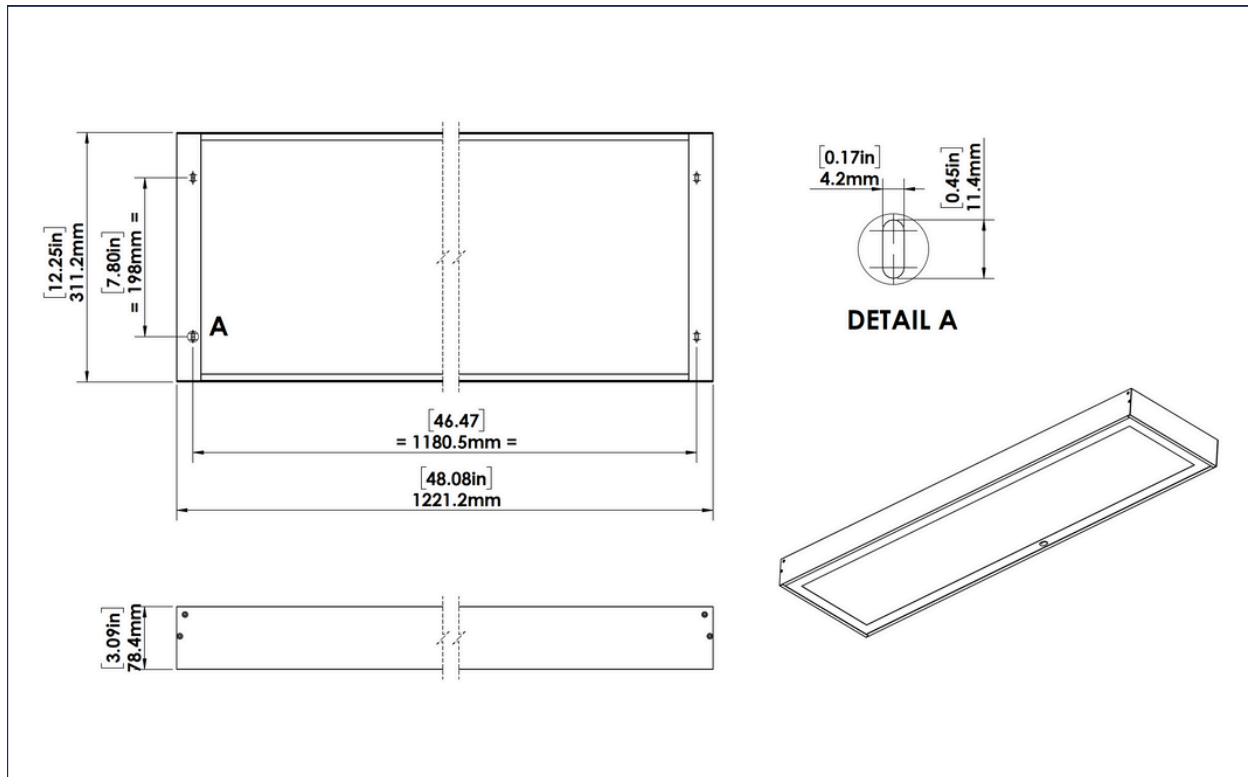
Notes:

Lumen output with emergency battery backup can be calculated by multiplying the output power with the efficacy of the fixture. In emergency mode, the CCT will be fixed at 3000K. Once power is restored, the CCT will revert to the setting configured on the CCT select switch.

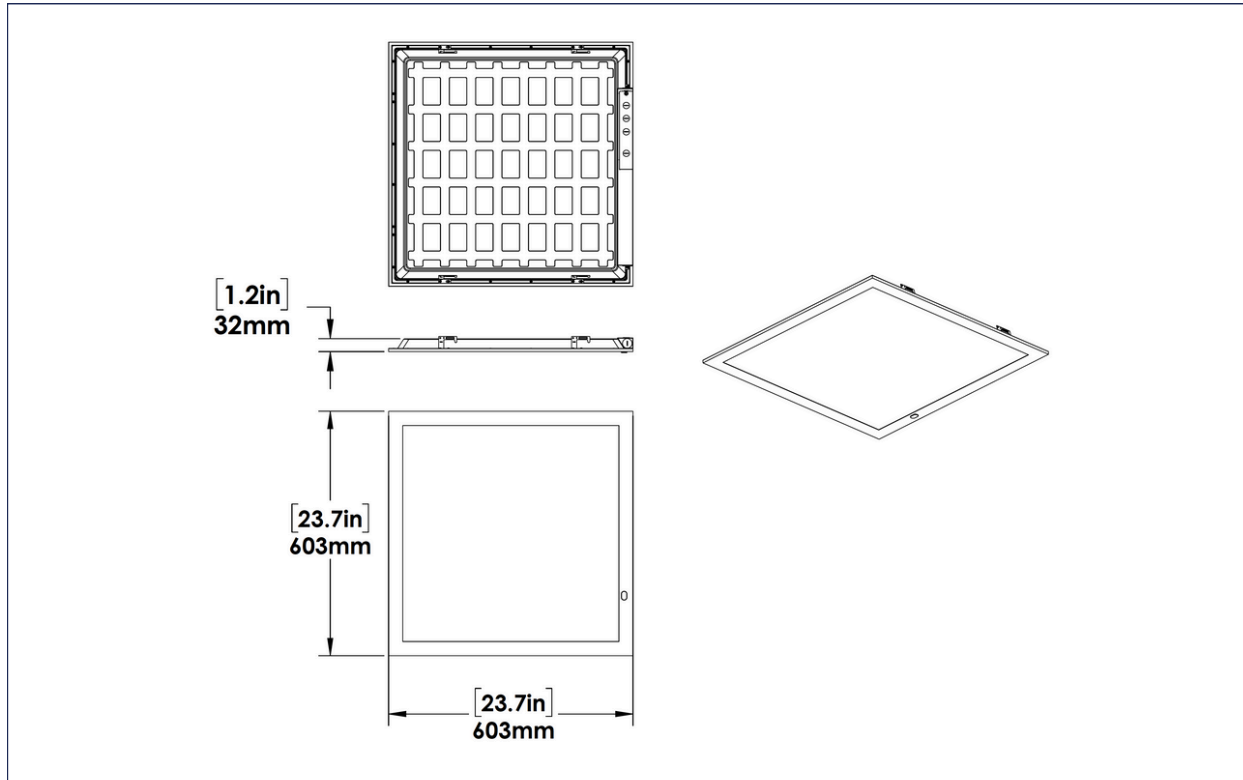
CPLH14 FIXTURE



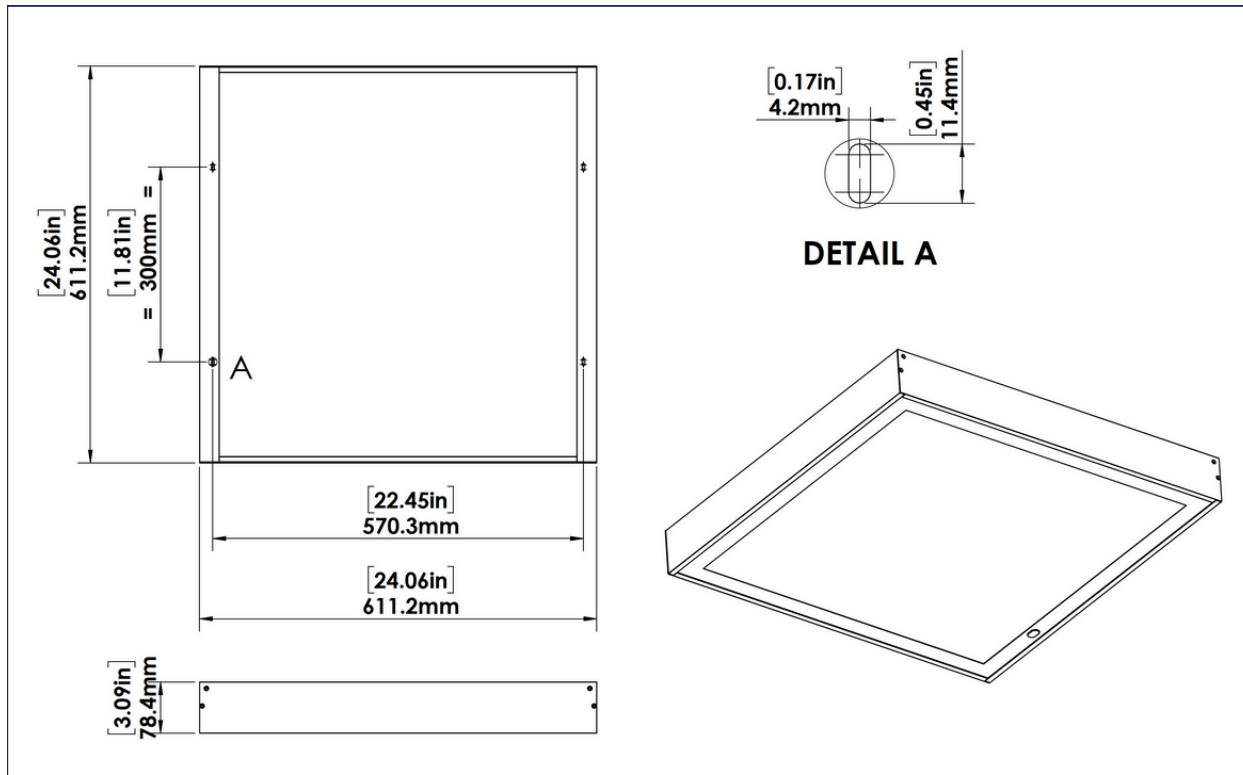
1X4 SURFACE MOUNT



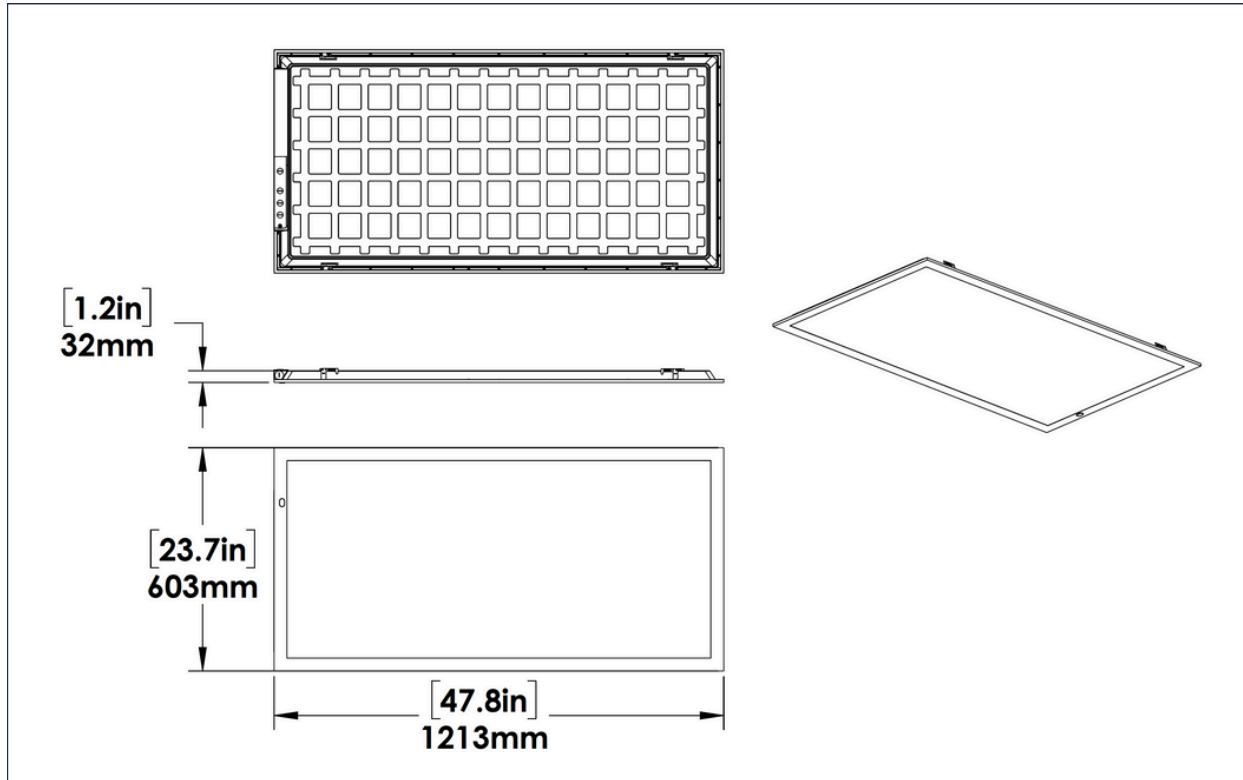
CPLH22 FIXTURE



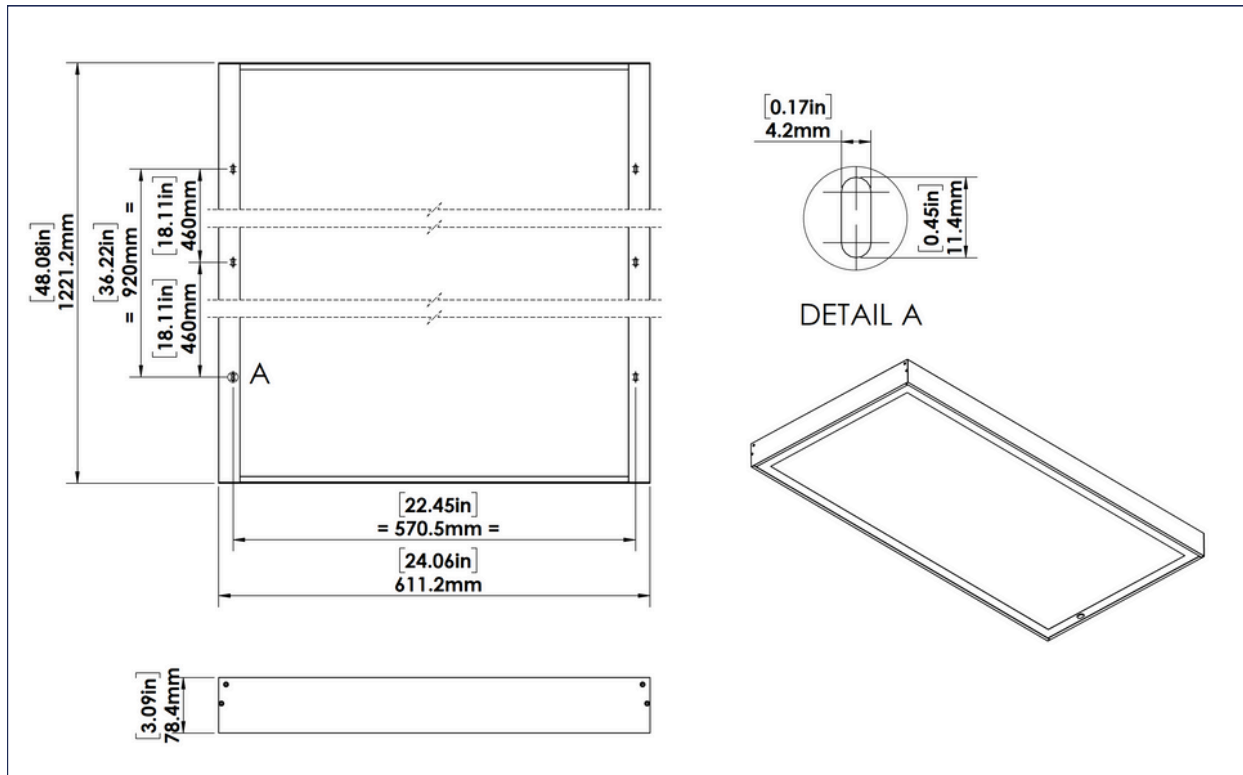
2X2 SURFACE MOUNT

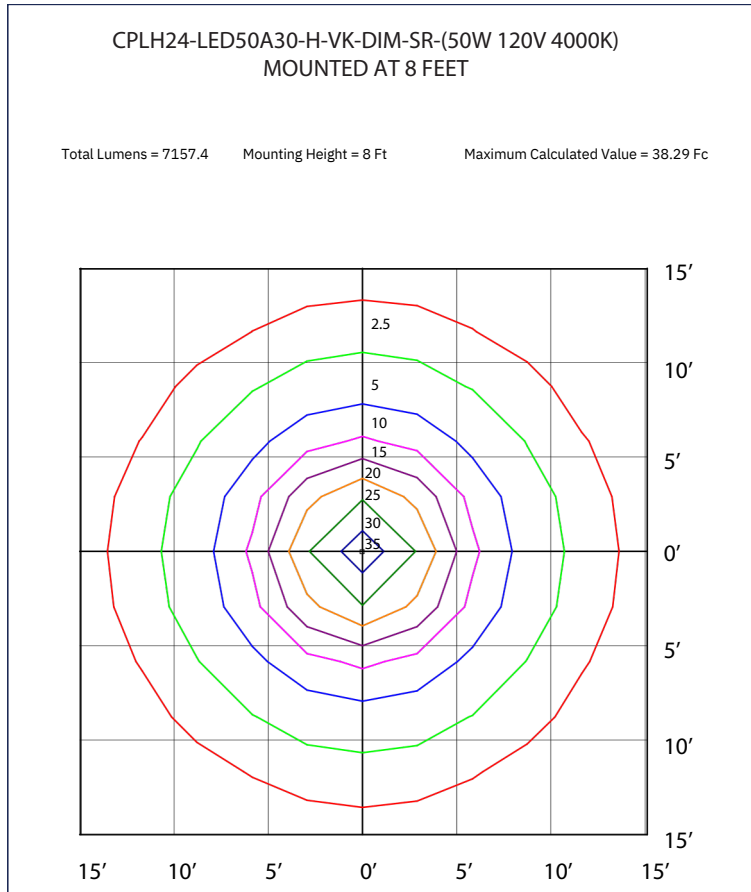
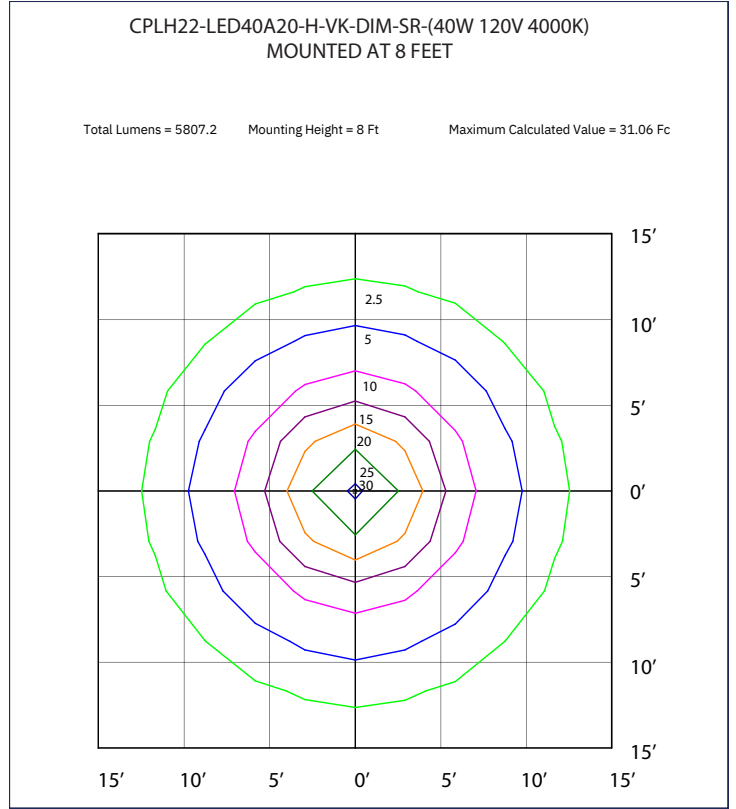
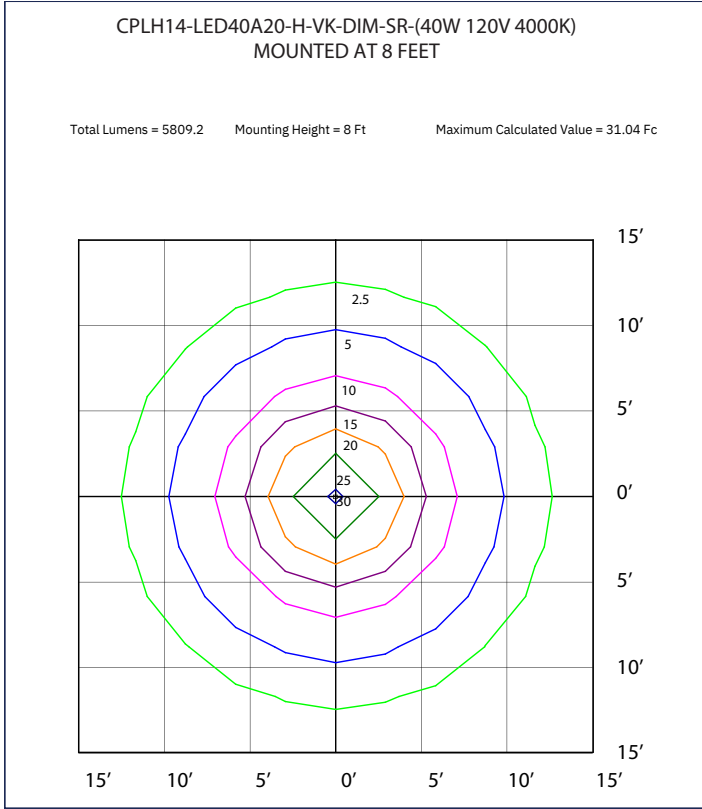


CPLH24 FIXTURE



2X4 SURFACE MOUNT

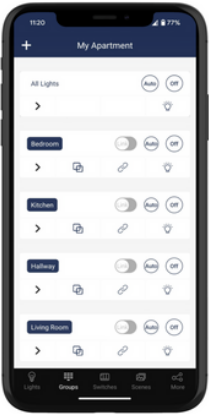




CONTROLLED

RAB[®]
DESIGN

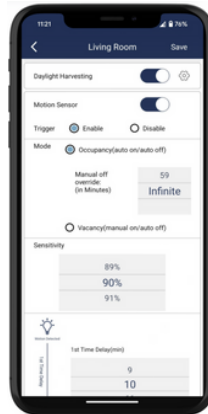
ControlLED Network Lighting Controls (NLC) delivers secure, wireless lighting management with Bluetooth Mesh and the ControlLED App. Integrated sensors enable automatic adjustments for comfort, safety, and efficiency.



Organized Workspaces:
Create Zones, Groups and Group linkages.



Dimming Lights:
Set dim level for groups or individual lights.



Motion and Daylight Harvest Sensors:
Custom sensor settings for groups or individual lights.



Scenes:
Create custom scenes for different scenarios.



Schedules:
Create custom schedules for recurring events.



Share Access:
Share access using QR codes.

Get the App!



RAB[®]
DESIGN

**Engineered by skilled hands,
for skilled hands.**

© RAB Design Lighting Inc. 2025. All rights reserved.
For more information, visit rabdesign.ca.