



SLE-LED Linear Striplight



Experience ultimate convenience and performance with RAB DESIGN's re-imagined SLE Strip Light. Featuring an elegant, toolless opening, universal adjustable settings, and high lumen output, this fixture is engineered to give contractors the best installation experience. Available in three lengths, with and without sensor, and optional Bluetooth controls.

IDEAL APPLICATIONS

- Retail Applications
- Office Spaces
- Warehouse Aisles
- Parkades
- General Indoor Lighting
- Commercial Applications
- Storage spaces
- Stairwell & Hallway

SPECIFICATIONS

| | SLE2-LED25A15 | SLE4-LED50A30 | SLE8-LED80A60 | SLE8-LED100A60 | SLE2-LED25A15 | SLE4-LED50A30 | SLE8-LED80A60 | SLE8-LED100A60 | |
|---------------------|---|---|--|--|---|---------------|---------------|----------------|--------------|
| PERFORMANCE | | | | | AMBIENT OPERATING TEMPERATURE | | | | |
| Light Output | Lumen Selectable | | | | -35°C to 45°C (-31°F to 113°F) | | | | |
| | 3600/ 2900/ 2200 lm | 7300/ 5800/ 4400 lm | 13000/ 11000/ 9500 lm | 17300/ 13900 / 10400 lm | MOUNTING | | | | |
| Efficacy | 147 lm/W | 137 lm/W | 156 lm/W | 177 lm/W | Surface Mount Suspension Mount (Kit Sold Separately) | | | | |
| CCT | 3000/3500/4000/5000K (Selectable) | | | | CERTIFICATIONS | | | | |
| Beam Angle | 130° | | | | cULus Listed for Canada and USA, per UL 1598, CSA C22.2 No. 250.0 DLC Standard & Premium | | | | |
| Replaces up to | 2 LAMP F21T5 | 2 LAMP T5HO | 4 LAMP 28WT5 | 4 LAMP T8 | CONTROLS | | | | |
| CRI | 85 | 85 | 84 | 83 | 0-10V (Dim to Off) | | | | |
| ELECTRICAL | | | | | 5-100% Dimming | | | | |
| Wattage | 25/20/15W | 50/40/30W | 80/70/60W | 100/80/60W | 10-100% Dimming | | | | |
| Voltage | 120-347 V | | | | 5-100% Dimming | | | | |
| Power Factor | >0.99 | | | | Dimming High Frequency Microwave Motion Sensor with Remote Control | | | | |
| THD | 9% | 2% | 3% | 7% | Bluetooth PIR Motion & Daylight Harvest Sensor | | | | |
| Daisy Chain | 6A Max | | | | LUMEN MAINTENANCE | | | | |
| | Max 22 fixtures at 120V and 62 fixtures at 347V | Max 11 fixtures at 120V and 31 fixtures at 347V | Max 7 fixtures at 120V and 19 fixtures at 347V | Max 5 fixtures at 120V and 15 fixtures at 347V | L90 | 51,000 Hrs | 63,000 Hrs | 51,000 Hrs | 61,000 Hrs |
| Battery Backup | - | 8W (Optional) | | | L85 | 76,000 Hrs | 97,000 Hrs | 76,000 Hrs | 94,000 Hrs |
| CONSTRUCTION | | | | | L70 | >100,000 Hrs | >100,000 Hrs | >100,000 Hrs | >100,000 Hrs |
| Housing | Steel Sheet Metal | | | | MAX AMPERAGE DRAW (A) | | | | |
| Paint | White Powder Coat Finish | | | | 120V | 0.231 | 0.463 | 0.741 | 0.926 |
| Lens | Frosted Polycarbonate | | | | 208V | 0.134 | 0.267 | 0.427 | 0.534 |
| Weight | 2.21 lbs | 3.86 lbs | 7.28 lbs | | 240V | 0.116 | 0.231 | 0.370 | 0.463 |
| | | | | | 277V | 0.100 | 0.201 | 0.321 | 0.401 |
| | | | | | 347V | 0.080 | 0.160 | 0.256 | 0.320 |

Note: Electrical and light performance data is based on LM79 test reports, measured at maximum wattage, 4000K, and 120V. Life hours are derived from IESNA LM-80 testing report and projected per IESNA TM-21 calculations.





ORDERING GUIDE

| Fixture | Wattage | Voltage | Colour Temp. | Dimming | Controls | Battery Backup |
|---------|-----------------------|--------------|-------------------------------------|---------------------|---|---------------------------------------|
| SLE2 | LED25A15 | H - 120-347V | VK - Colour Selectable ¹ | DIM - 0-10V Dimming | Blank - No Controls | Blank - No Battery Backup |
| SLE4 | LED50A30 | | | | DHFS - Dimming High Frequency Microwave Motion Sensor | BBK8 - 8W Battery Backup ² |
| SLE8 | LED80A60 LED100A60 | | | | | |

¹SLE2, SLE4 and SLE8-LED80A60 are CCT selectable between 3000/3500/4000/5000K. SLE8-LED100A60 is CCT selectable between 3500/4000/5000K.

²Offered with SLE4 and SLE8 only.

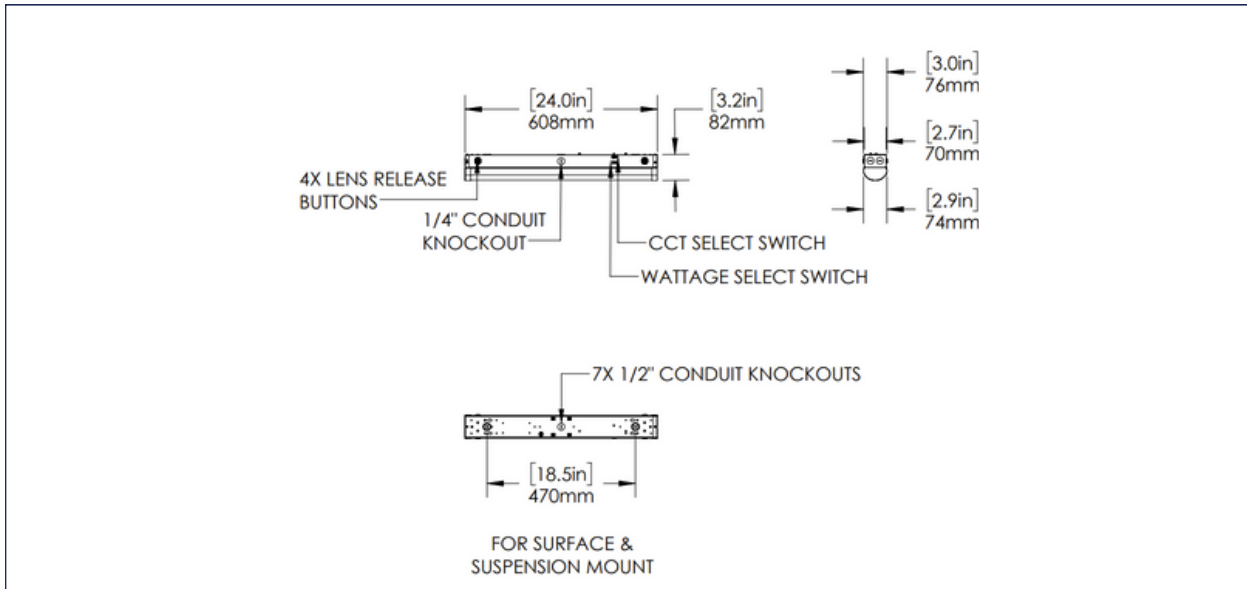
Default Setting: Maximum Wattage and 4000K

| STOCK CODE | | INCLUDED IN THE BOX | |
|------------|------------------------------|---------------------|--|
| 099955 | SLE2-LED25A15-H-VK-DIM | Surface Mount Kit |  |
| 099956 | SLE4-LED50A30-H-VK-DIM | | |
| 099957 | SLE8-LED80A60-H-VK-DIM | | |
| 084491 | SLE8-LED100A60-H-VK-DIM | | |
| 084095 | SLE2-LED25A15-H-VK-DIM-DHFS | Junction Box Cover |  |
| 084096 | SLE4-LED50A30-H-VK-DIM-DHFS | | |
| 084097 | SLE8-LED80A60-H-VK-DIM-DHFS | | |
| 084570 | SLE8-LED100A60-H-VK-DIM-DHFS | | |

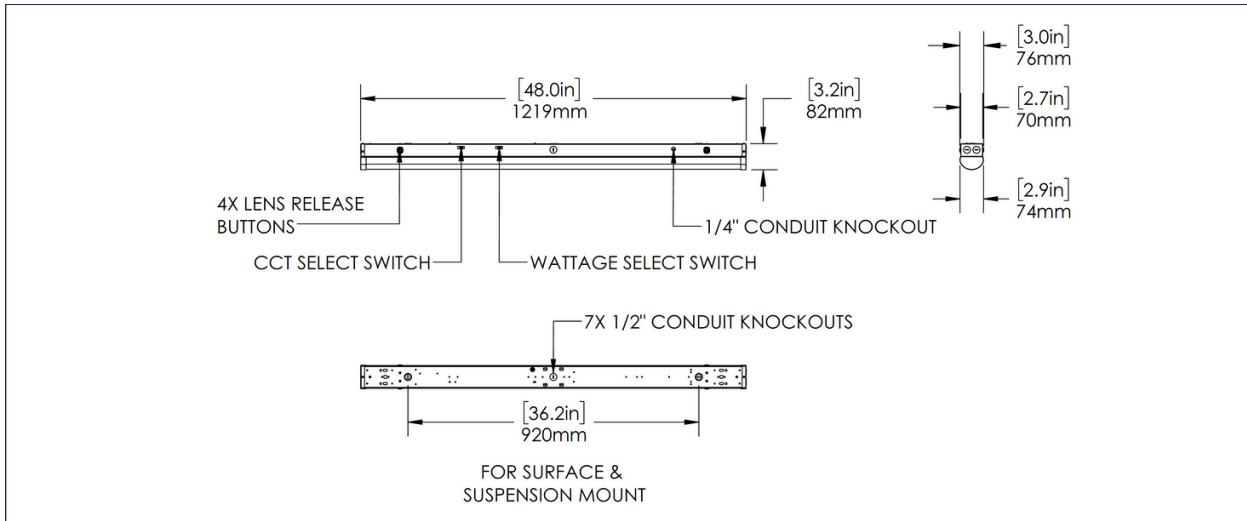
| ACCESSORIES SOLD SEPARATELY | | | | | |
|-----------------------------|---|---|--------|---|---|
| 084138 | SLE LOWBAY BLUETOOTH PIR MOTION/DLH SENSOR W/J-BOX ¹ |  | 084102 | SLE4-LED REFLECTOR WINGS KIT - WHT |  |
| 084215 | BLUETOOTH 3-KEY AC LINE VOLTAGE WALL SWITCH 120-277VAC, 3-KEYS (ON/OFF, DIM+, DIM-) |  | 084135 | SLE8-LED REFLECTOR WINGS KIT - WHT |  |
| 002412 | SLE2-LED WIRE CAGE WHT |  | 089814 | LINEAR CEILING PENDANT MOUNT KIT (2x 5FT AIRCRAFT CABLES) |  |
| 002413 | SLE4-LED WIRE CAGE WHT |  | 087016 | RC-100 MOTION SENSOR REMOTE CONTROL |  |
| 002414 | SLE8-LED WIRE CAGE WHT |  | 084136 | SLE-LED ROW MOUNT KIT - WHT |  |

¹ Each sensor can control one fixture only.

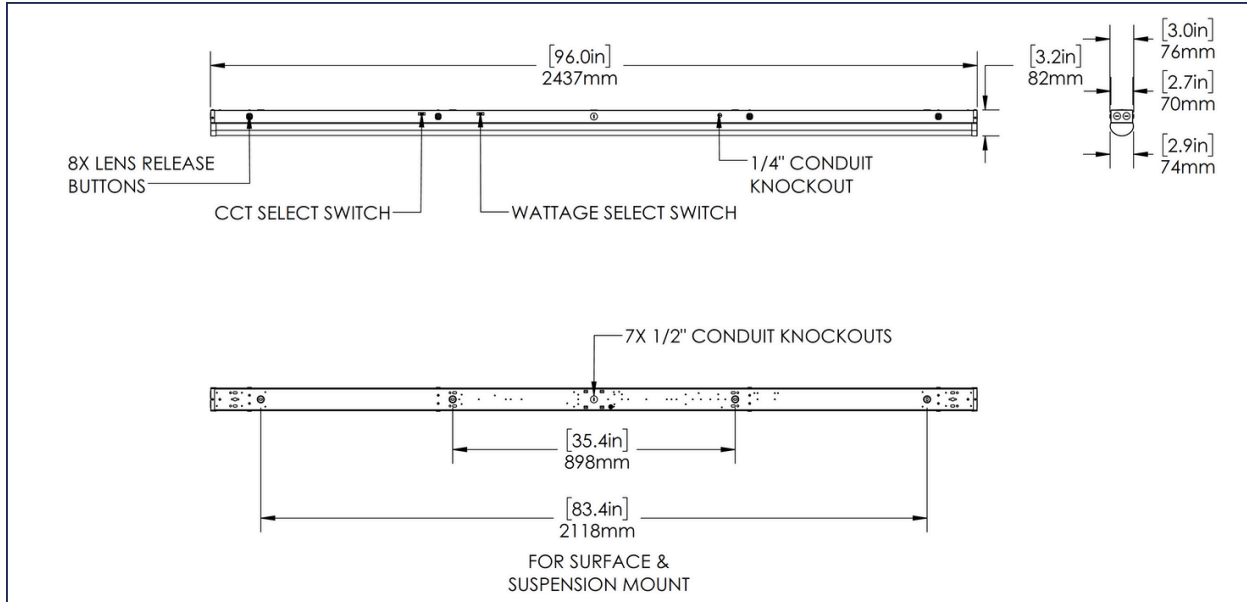
SLE2-LED FIXTURE



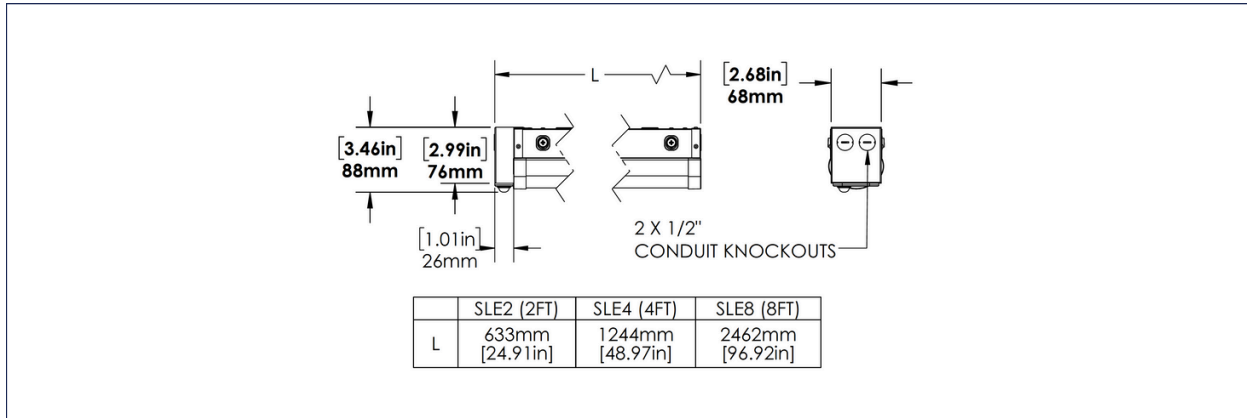
SLE4-LED FIXTURE



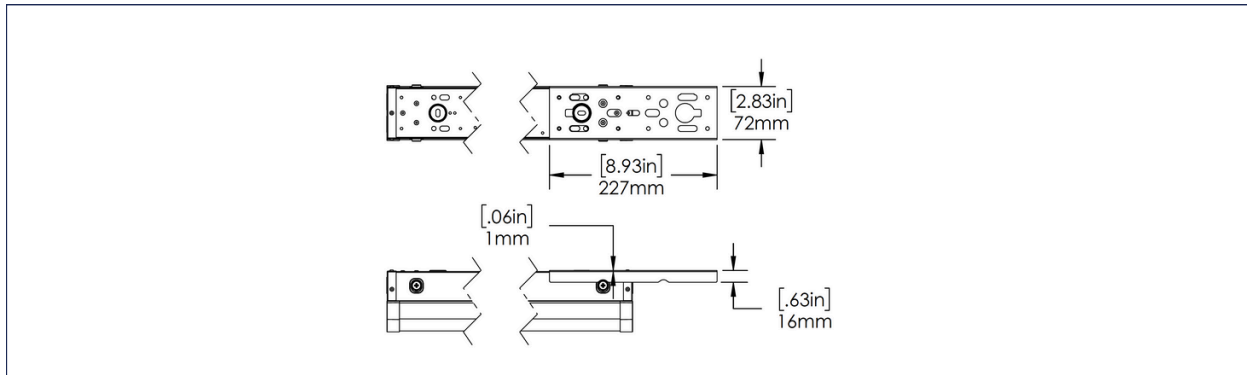
SLE8-LED FIXTURE



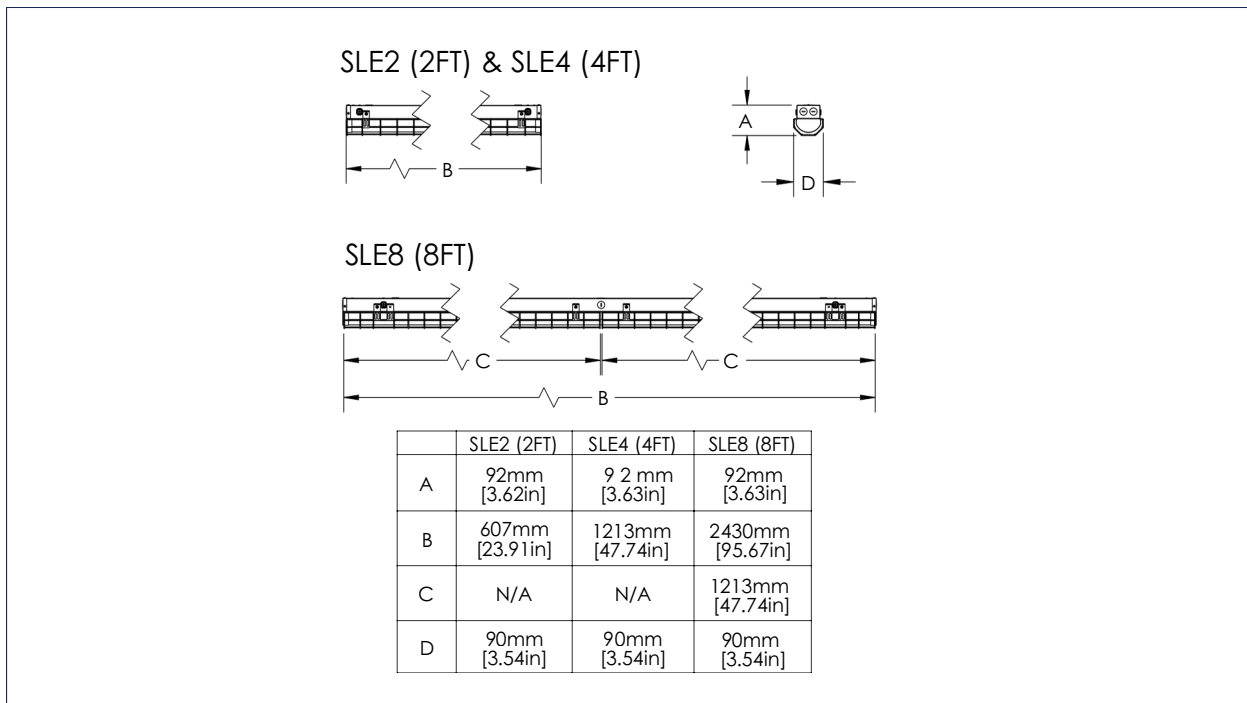
BLUETOOTH PIR MOTION & DAYLIGHT HARVEST SENSOR WITH JUNCTION BOX



ROW MOUNT BRACKET

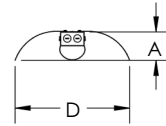
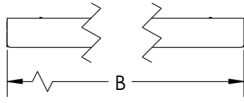


WIRE CAGE

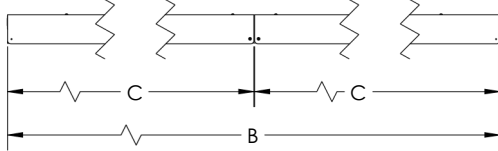


REFLECTOR WINGS

SLE4 (4FT)



SLE8 (8FT)



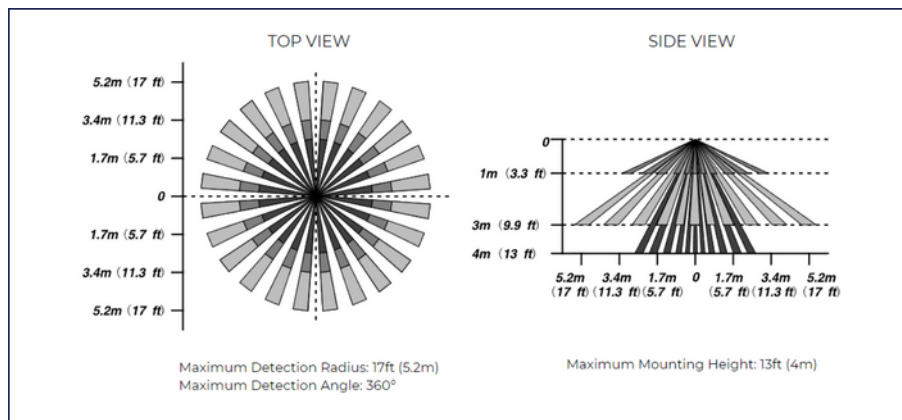
| | SLE4 (4FT) | SLE8 (8FT) |
|---|---------------------|---------------------|
| A | 85mm [3.36in] | 85mm [3.36in] |
| B | 1217mm [47.90in] | 2435mm [95.87in] |
| C | N/A | 1217mm [47.90in] |
| D | 327mm [12.86in] | 327mm [12.86in] |

DIMMING HIGH FREQUENCY MOTION SENSOR (DHFS)

DHFS Microwave motion sensor offers a range of control features based on motion detection allowing the Installer to adjust the brightness of the fixture, hold time and daylight settings using a remote control after installation.

| DIMMING HIGH FREQUENCY MOTION SENSOR SPECIFICATIONS | |
|---|--|
| Sensor Type | Dimming High Frequency/Microwave |
| Microwave Frequency | 5.8GHz +/- 75MHz |
| Operating Voltage | 12-24VDC |
| Operating Current | 25mA |
| Output Voltage | 0-10V |
| Stand-by Power | <0.2mW |
| Ambient Operating Temperature ¹ | -40°C to 70°C (-40°F to 158°F) |
| Installation | Factory installed inside the fixture housing |

DETECTION RANGE



| DIMMING HIGH FREQUENCY MICROWAVE MOTION SENSOR PROGRAMMING | |
|--|--|
| Programming Tool | RC-100 Remote Control |
| Brightness | 70%/80%/90%/100%* |
| Sensitivity | 20%/50%/75%/100%* |
| Hold Time | 10s/1min*/5min/10min/15min/20min/30min/60min |
| Daylight Sensor | 10Lux/30Lux/50Lux/100Lux/300Lux/500Lux/Eye Icon(Auto Calibrate)/Sun Icon (Disabled)* |
| Standby Dim | 0%/10%/30%/50%* |
| Standby Time | 1min/30min/60min*/+∞ |

¹When installed in the fixture, the system's ambient operating temperature is limited by the component with the lowest allowable range.

Note:

Default settings are marked with *

Default Setting: After no motion for 1min (hold time), the fixture will dim from 100% (brightness) to 50% (stand-by dim level). After no motion for another 60 min (stand-by time), the fixture will turn off.

For instructions on programming the motion sensor remote control, please see the Installation Instructions.

CONTROLLED

BLUETOOTH PIR MOTION & DAYLIGHT HARVEST SENSOR

FEATURES

- PIR motion and daylight harvest sensor
- Bluetooth mesh network
- DLC - Networked Lighting Control (NLC) & Luminaire Level Lighting Control (LLLC)



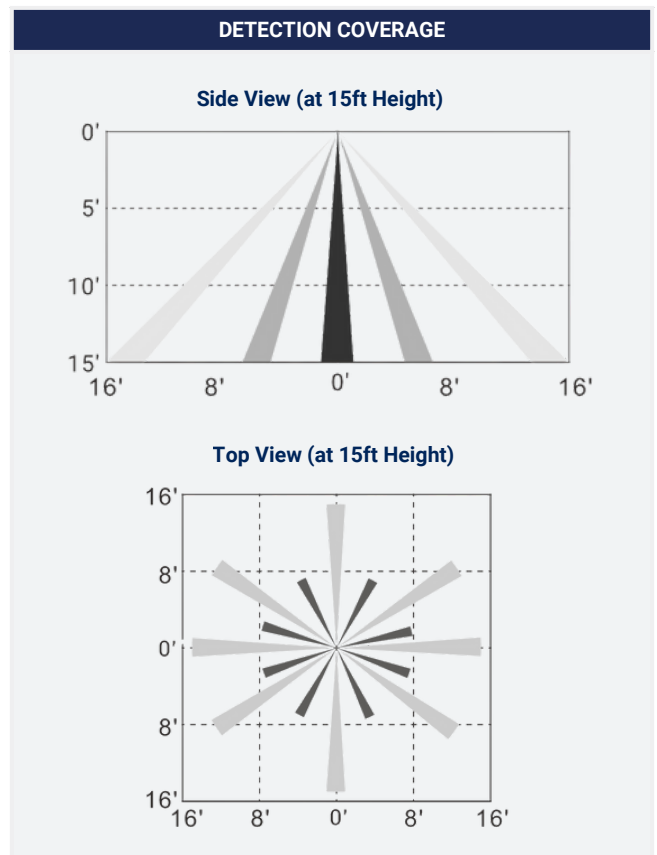
| SPECIFICATIONS | |
|------------------------------------|---|
| Input Voltage | 12 VDC |
| Input Current | 25mA Max. |
| Input Power | 0.3W |
| Output Current | 10mA Max. |
| Output Power | 0.1W |
| Dimming | Class 2, 0-10 VDC |
| Bluetooth Transmit | 100ft Max. |
| Radio Frequency | 2.4GHz ±75MHz |
| Bluetooth Version | 5.0 |
| Housing Material | Polycarbonate (UL 94-5VA) |
| Housing Finish | White |
| Detection Range | 40ft Max. |
| Mounting Height | 18ft Max. |
| Indoor/Outdoor Use | Indoor Use Only |
| Operating Temperature ¹ | -30°C to 55°C (-22°F to 131°F) |
| Storage Temperature | -30°C to 85°C (-22°F to 185°F) |
| IP Rating | IP20 |
| Installation ² | The sensor is pre-installed in the junction box |

¹When installed in the fixture, the system's ambient operating temperature is limited by the component with the lowest allowable range.

²Please see the product installation instructions for more information on mounting the junction box on the fixture.

| DEFAULT SETTINGS | |
|-------------------|-----------|
| Motion Sensor | ON |
| Mode | Occupancy |
| High End Trim | 100% |
| Sensitivity | High |
| Hold Time (T1) | 20 min |
| Standby Dim | 50% |
| Standby Time (T2) | 1 min |
| Daylight Harvest | Off |
| Linkage | Off |
| Linkage Level | 100% |

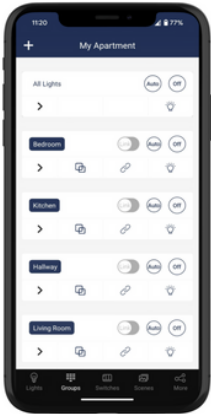
Note: Program the sensor with the desired settings using the Controlled Mobile App (please refer to the Controlled App manual for instructions).



CONTROLLED

RAB
DESIGN

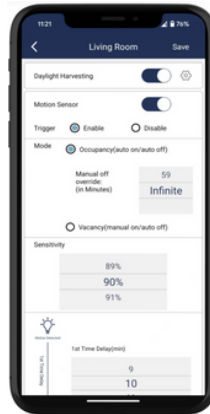
ControlLED Network Lighting Controls (NLC) delivers secure, wireless lighting management with Bluetooth Mesh and the ControlLED App. Integrated sensors enable automatic adjustments for comfort, safety, and efficiency.



Organized Workspaces:
Create Zones, Groups and Group linkages.



Dimming Lights:
Set dim level for groups or individual lights.



Motion and Daylight Harvest Sensors:
Custom sensor settings for groups or individual lights.



Scenes:
Create custom scenes for different scenarios.



Schedules:
Create custom schedules for recurring events.



Share Access:
Share access using QR codes.

Get the App!



RAB
DESIGN

**Engineered by skilled hands,
for skilled hands.**

© RAB Design Lighting Inc. 2025. All rights reserved.
For more information, visit rabdesign.ca.

| BATTERY BACKUP SPECIFICATIONS | | | |
|--|--|-----------------------------|----------------|
| | SLE4-LED50A30 | SLE8-LED80A60 | SLE8-LED100A60 |
| Input Power | 8W | | |
| Input Voltage | 120-347V | | |
| Output Power (Emergency Mode) | 8W | 9W | |
| Recharge Current | 0-200mA | 0-500mA | |
| Recharge Time | 24 Hrs | 24 to 48 Hrs | |
| Discharge Time | 90 min | | |
| Ambient Operating Temperature ¹ | 10°C to 60°C (50°F to 140°F) | 0°C to 55°C (32°F to 131°F) | |
| Service Life | 50,000 Hrs | | |
| IP Rating | IP20 | | |
| Installation | Factory installed inside the fixture housing | | |
| Light Output ² | 1100 lm | 1400 lm | 1600 |

¹When installed in the fixture, the system's ambient operating temperature is limited by the component with the lowest allowable range.

²Lumen output with emergency battery backup can be calculated by multiplying the battery output power with the efficacy of fixture.

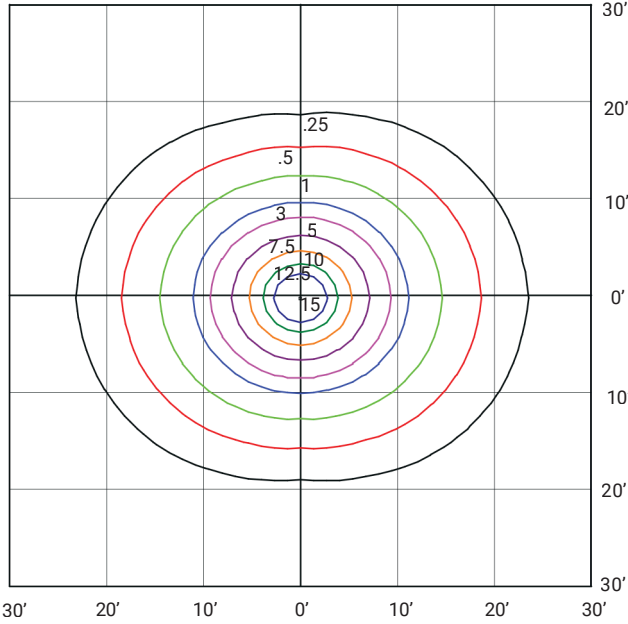
Note: In emergency mode, the CCT of SLE4-LED50A30 will be fixed at 5000K. Once power is restored, the CCT will revert to the setting configured on the CCT select switch.

PHOTOMETRIC PLOTS

SLE2-LED25A15-H-VK-DIM (25W 120V 4000K)
MOUNTED AT 8 FEET

Total Lumens = 3617LM

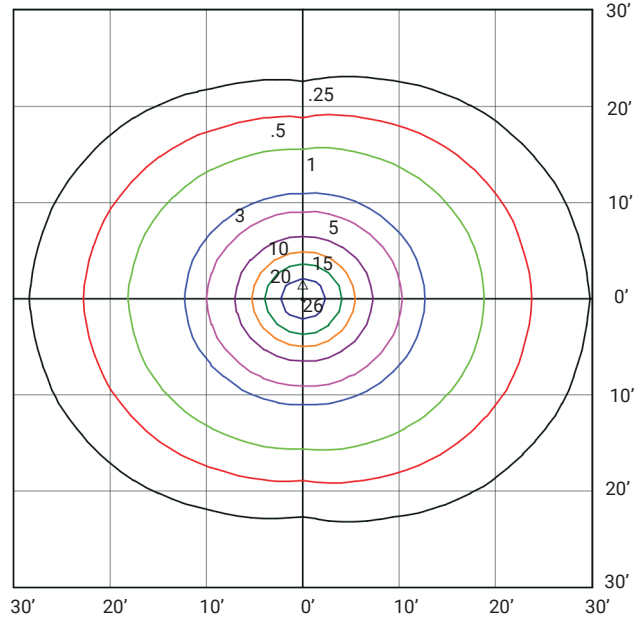
Maximum Calculated Value = 14.93 Fc



SLE4-LED50A30-H-VK-DIM (50W 120V 4000K)
MOUNTED AT 8 FEET

Total Lumens = 7296LM

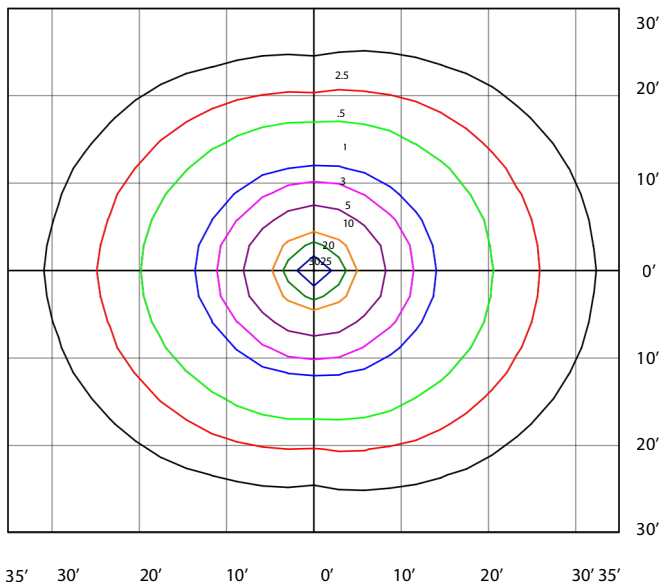
Maximum Calculated Value = 30.49 Fc



SLE8-LED80A60-H-VK-DIM (80W 120V 4000K)
MOUNTED AT 10 FEET

Total Lumens = 12959LM

Maximum Calculated Value = 34.66 Fc



SLE8-LED100A60-H-VK-DIM (100W 120V 4000K)
MOUNTED AT 10 FEET

Total Lumens = 17337LM

Maximum Calculated Value = 46.38 Fc

