



# Surface Mount Wrap

## Economy SMW4N-LED

The SMW4N-LED Surface Mount Wrap is a 4-foot linear LED fixture engineered for reliable indoor illumination and a superior contractor-friendly installation, featuring integrated housing tabs that simplify and organize wiring, along with convenient end-cap tabs for quick, tool-free lens removal. Its low-glare polycarbonate lens provides smooth, uniform light distribution for enhanced visual comfort and dependable performance.



### IDEAL APPLICATIONS

- ✓ Hallways
- ✓ Stairwells
- ✓ Utility Areas
- ✓ Foyers

### SPECIFICATIONS

PERFORMANCE	
Light Output	5400 lm
Efficacy	135 lm/W
CCT	4000K
Beam Angle	110°
Replaces Up To	2 Lamp T8
CRI	82
ELECTRICAL	
Wattage	40W
Voltage	120-277 V
Surge Protection	2kV (Built-in Driver)
Power Factor	> 0.99
THD	6%
Wire Leads	6in from centre conduit knockout
CONSTRUCTION	
Housing	Steel Sheet Metal
Paint	White Glossy Finish
Lens	Frosted Polycarbonate
Weight	3.53 lbs

AMBIENT OPERATING TEMPERATURE	
-20°C to 40°C (-4°F to 104°F)	
MOUNTING	
Surface Mount (Accessories Included)	
CERTIFICATIONS	
ETL Listed for Canada & USA per UL 1598 & CSA C22.2#250.0 Ed.5 DLC 6.0	
CONTROLS	
0-10V (10-100% Dimming, Dim to Off)	
LUMEN MAINTENANCE	
L90	L80
>50,000 Hrs	>100,000 Hrs
MAX AMPERAGE DRAW (A)	
120V	0.367
208V	0.212
240V	0.183
277V	0.159
347V	0.127

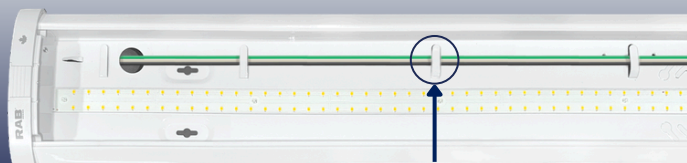
**Note:** - Electrical and light performance data is based on LM79 test reports, measured at 4000K and 120V.

- Life hours are derived from IESNA LM-80 testing report and projected per IESNA TM-21 calculations.

### EASY & EFFICIENT WIRE MANAGEMENT

#### Faster, Cleaner Installation

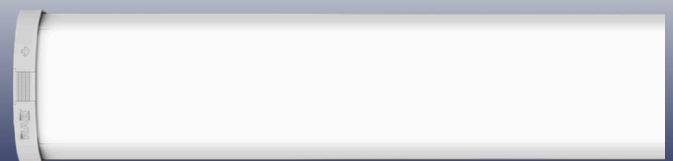
Integrated wire routing tabs ensure quick and efficient installation.



WIRE MANAGEMENT TABS

#### Shadow-Free Illumination

Secure wires away from the light path to prevent shadows.



## ORDERING GUIDE

SMW4N	LED40	B	4K	WHT	DIM	FR	NL
Fixture	Wattage	Voltage	Colour Temp.	Finish	Dimming	Lens	Linkability
SMW4N	LED40	B - 120-277V	4K- 4000K	WHT- White	DIM - 0-10V Dimming	FR - Frosted Lens	NL - Non-linkable <sup>1</sup>

<sup>1</sup>Fixtures support row-mount and daisy-chain installations through conduit knockouts located on the end caps, allowing through-wiring between units.

### STOCK CODE

084630

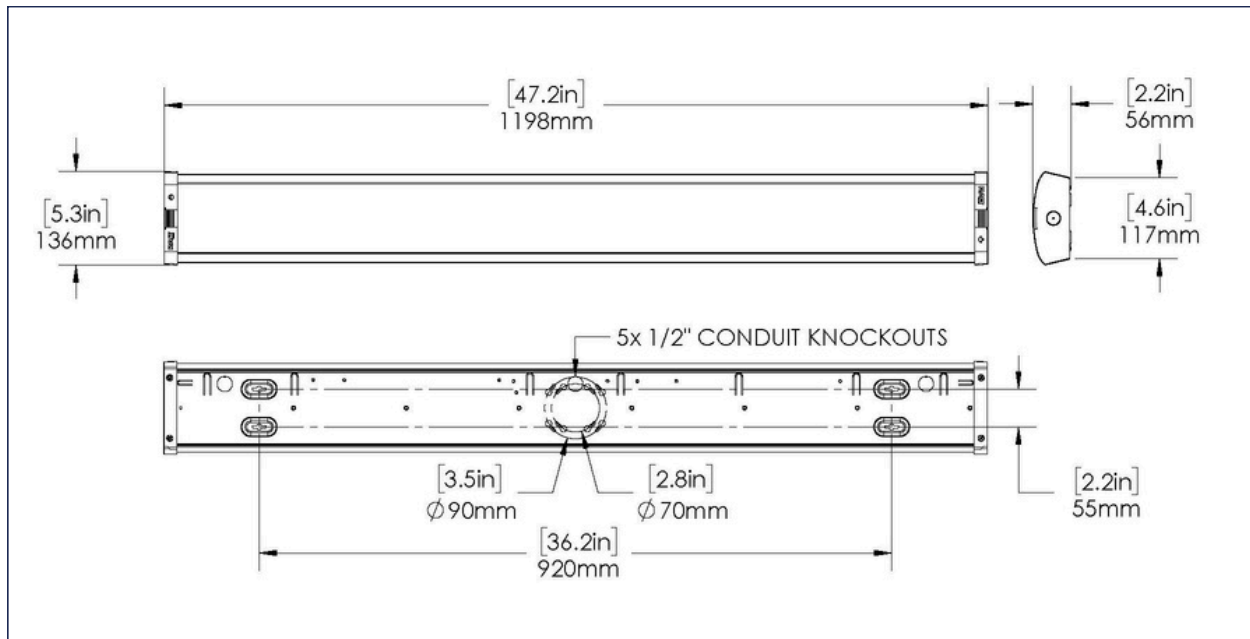
SMW4N-LED40-B-4K-WHT-DIM-FR-NL

### INCLUDED IN THE BOX

SURFACE MOUNT KIT



## DIMENSIONS



# PHOTOMETRIC PLOT

SMW4N-LED40-B-4K-WHT-DIM-FR-NL  
MOUNTED AT 8 FEET

LUMENS 5307

MAX CALCULATED VALUE 29.02

