

RAY6-LED

Bollard LED



IDEAL APPLICATIONS

- Walkways
- Parkettes
- Condos
- Townhouses

DESCRIPTION:

The RAY6-LED bollard is a round, architectural bollard in a sleek design that provides uniform, even illumination. The RAY6 is available with a type V and III distributions.

FEATURES:

Construction

- Body is made from extruded aluminum and has a custom designed twist lock mechanism for secure and easy installation. The cast aluminum base is secured with stainless steel set screws. Body has a powder coat finish.

Optics

- Two light distributions available; Type V (360°) is standard. Type III (180°) is an option.

LEDs

- Colour temperature is 4000K standard, 5000K and 3000K are available as options.

Electrical

- Unit has high efficiency 120-277V drivers.

Mounting

- Cast aluminum base is secured with stainless steel screws. Custom twist lock mechanism securely anchors lower body to the base.

Finish

- Standard powder coat finish is bronze or matte black, Custom colours are available upon request.
- Luminaire has field adjustable lumen settings of 25W, 12W, and 8W. Default setting of fixture is 25W.

SPECIFICATIONS

RAY6-LED25A8

Watts (W)	26
Lumens (Maximum)	3550
Efficacy (Lm/W)	136.2
Colour Temp	3000K, 4000K*, 5000K
Voltage	120-277V*, 347V
CRI	75
THD	16.9%
Dimming	0-10V Dimming
PF	0.9
LED Life @ 100,000 Hours	76%
Beam Distributon	Type III (180°), Type V (360°)*
Finish	Bronze*, Matte Black*, Custom Colour
Housing Details	Aluminum
Lens Details	Clear PC Lens
Operating Temp.	-30°C to 40°C
Certifications	UL, Wet Location, IP65

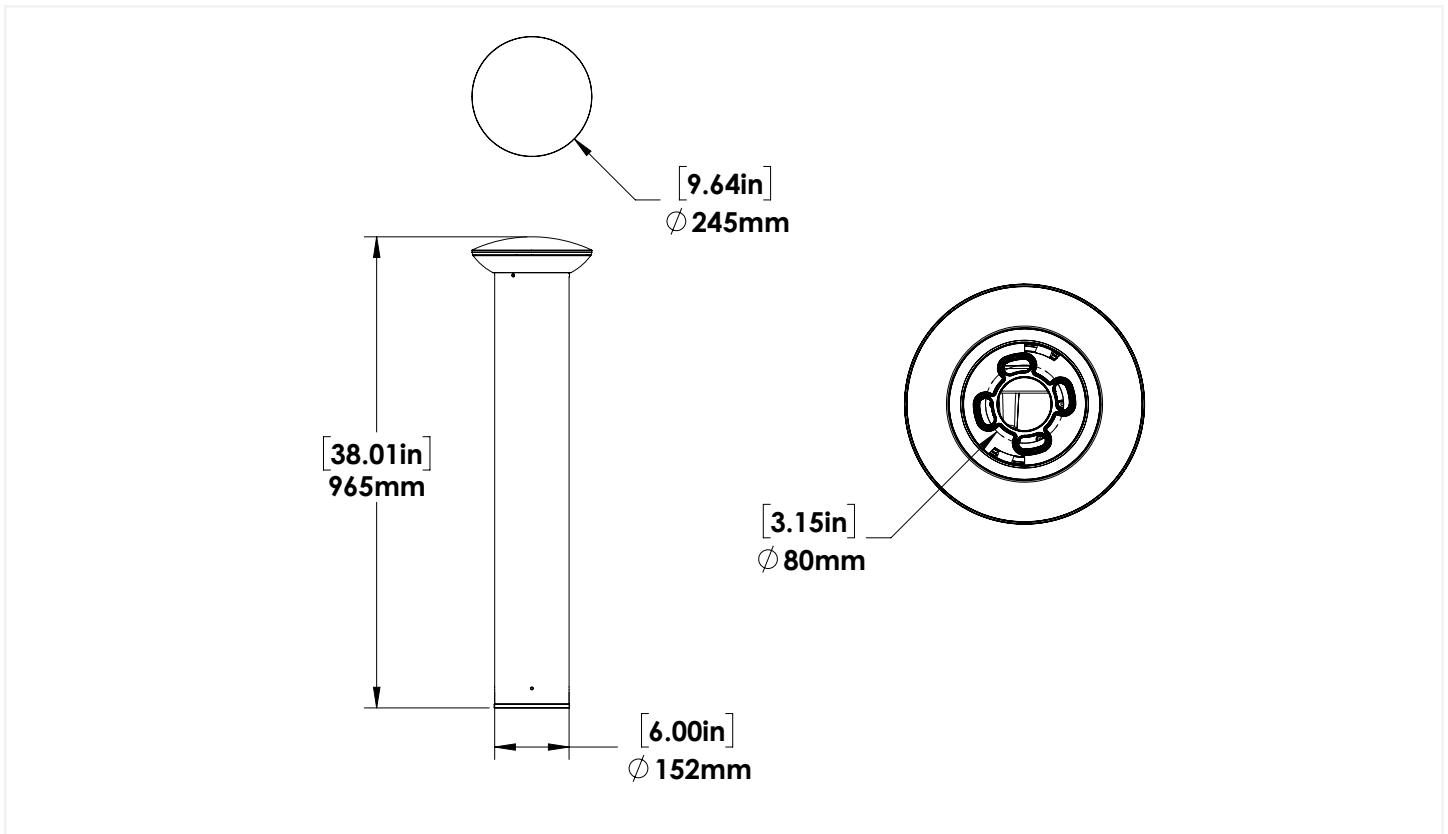
* Standard Configuration

120-277V voltage is DLC Premium, 347V voltage is DLC Standard

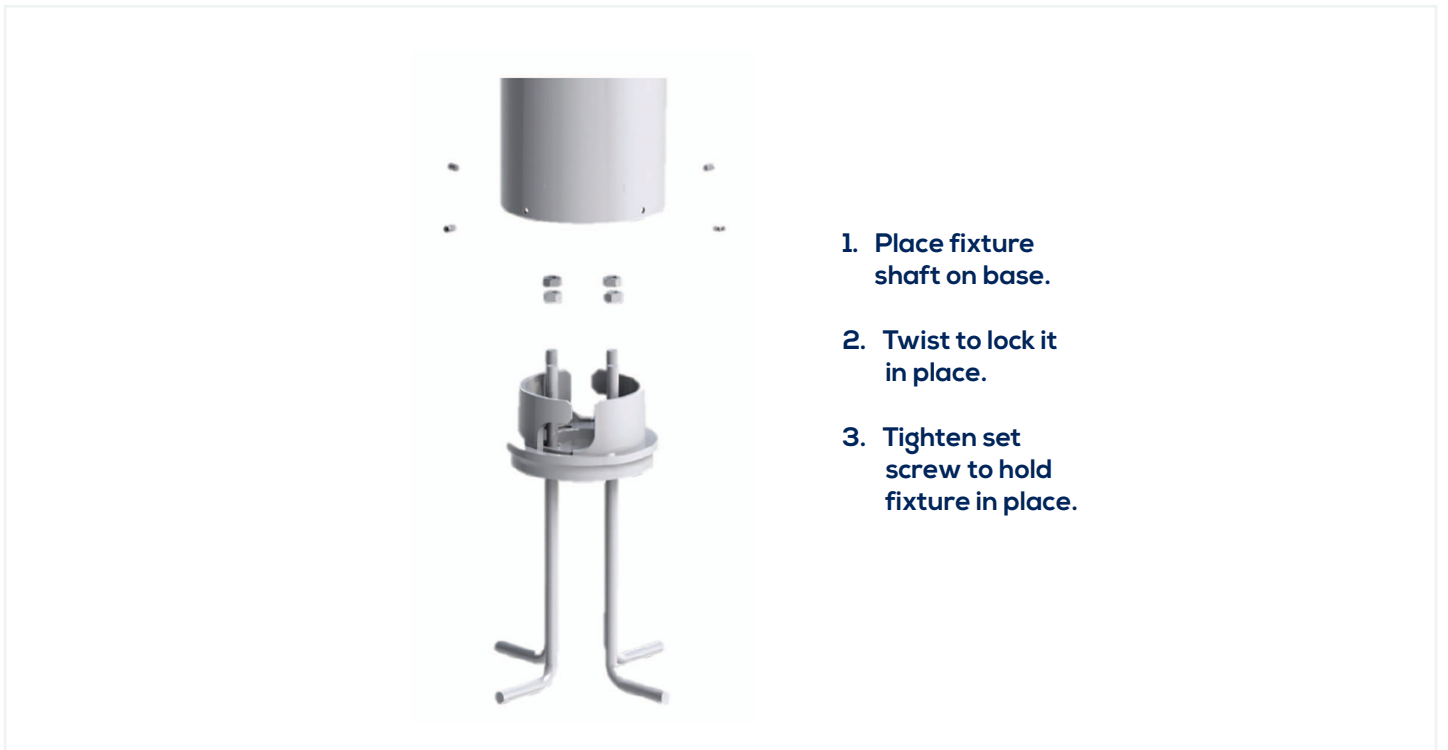
Note: Specs mentioned above are for 120-277V, 4000K CCT, 360 DEG beam distribution. Please refer to the table on page 4 for specifications of other configurations



DIMENSIONS:



TWIST & LOCK MECHANISM



360 DEGREES ADJUSTABLE HEAD



AMPERAGE DRAW & SURGE PROTECTION							
	CURRENT (A) FOR MAXIMUM WATTAGE					SURGE PROTECTION (kV)	
	120V	208V	240V	277V	347V	120-277V	347V
RAY6-LED	0.22A	0.13A	0.11A	0.1A	0.08A	2kV	

LUMEN ADJUSTABLE SETTINGS			
RAY6-LED			
WATTS (W)	8		12
LUMENS (Maximum Lm)	1113		1669
			3625

TM-21 ESTIMATED LUMEN MAINTENANCE			
	50,000 Hours		75,000 Hours
			100,000 Hours
RAY6-LED	87.2%		81.2%
			75.6%

WEIGHTS (lbs)	
RAY6-LED	14.8

SPECIFICATIONS								
Model Number	Voltage (V)	Power (W)	Light Output (lm)	Efficacy (lm/W)	THD (%)	PF	CCT (K)	B-U-G
RAY6-LED25A8-B-3K-360-XXX-DIM	120-277	26	3309	127.0	16.9	0.903	3000	1-2-1
RAY6-LED25A8-B-3K-180-XXX-DIM	120-277	26	3337	128.1	16.9	0.903	3000	1-2-2
RAY6-LED25A8-B-4K-360-XXX-DIM	120-277	26	3550	136.2	16.9	0.903	4000	1-2-1
RAY6-LED25A8-B-4K-180-XXX-DIM	120-277	26	3580	137.4	16.9	0.903	4000	1-2-2
RAY6-LED25A8-B-5K-360-XXX-DIM	120-277	26	3625	139.1	16.9	0.903	5000	1-2-1
RAY6-LED25A8-B-5K-180-XXX-DIM	120-277	26	3655	140.3	16.9	0.903	5000	1-2-2
RAY6-LED25A8-C-3K-360-XXX-DIM	347	29	3309	113.7	13.8	0.948	3000	1-2-1
RAY6-LED25A8-C-3K-180-XXX-DIM	347	29	3337	114.7	13.4	0.948	3000	1-2-2
RAY6-LED25A8-C-4K-360-XXX-DIM	347	29	3550	121.9	13.8	0.948	4000	1-2-1
RAY6-LED25A8-C-4K-180-XXX-DIM	347	29	3580	123.0	13.4	0.948	4000	1-2-2
RAY6-LED25A8-C-5K-360-XXX-DIM	347	29	3625	124.5	13.8	0.948	5000	1-2-1
RAY6-LED25A8-C-5K-180-XXX-DIM	347	29	3655	125.6	13.4	0.948	5000	1-2-2

ORDERING GUIDE:

RAY6-LED		LED25A8				DIM	
Wattage	Voltage	Colour Temp.	Optics	Finish	Dimming	Misc.	
LED25A8 (25/12/8W)	B - 120-277V*	3K - 3000K	360 - Type V*	BRZ - Bronze*	DIM - 0-10V Dimming	BLANK	
	C - 347V	4K - 4000K*	180 - Type III	BLK - Matte Black*		SP10 - 10kV Surge Protection	
		5K - 5000K		CST - Custom Colour			

* Standard Configuration