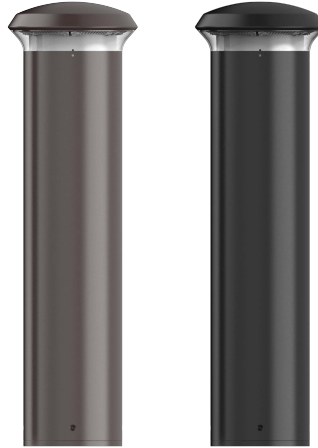




RAY8-LED

Bollard LED



IDEAL APPLICATIONS

- Walkways
- Parkettes
- Condos
- Townhouses

DESCRIPTION:

The RAY8-LED bollard is a round, architectural bollard in a sleek design that provides uniform, even illumination. The RAY8 is available with a type V (360°) and type III (180°) distributions.

FEATURES:

Construction

- Body is made from extruded aluminum. The cast aluminum base is secured with stainless steel set screws. Body has a powder coat finish.

Optics

- Two light distributions available Type V / 360° (RAY8-LED35) Type III / 180° (RAY8-LED20).

LEDs

- Colour temperature is 4000K standard, 5000K and 3,000K are available as options.

Electrical

- Standard unit has a high efficiency 120-277V driver. 347V is available as an option.

Finish

- Standard powder coat finish is bronze or matte black, custom colours are available upon request.

SPECIFICATIONS	RAY8-LED20	RAY8-LED35*
Watts (W)	20	34
Lumens (Maximum)	2715	4589
Efficacy (Lm/W)	133.1	135.9
Beam Distribution	Type III - 180°	Type V - 360°*
Colour Temp	3000K/4000K*/5000K	
Voltage	120-277V*, 347V	
CRI	75	
THD	16.9%	
Dimming	0-10V Dimming	
PF	0.9	
LED Life @ 100,000 Hours	76%	
Finish	Bronze*, Matte Black*, Custom Colour	
Housing Details	Aluminum	
Lens Details	Clear PC Lens	
Operating Temp.	-30°C to 40°C	
Certifications	UL, Wet Location, IP65	

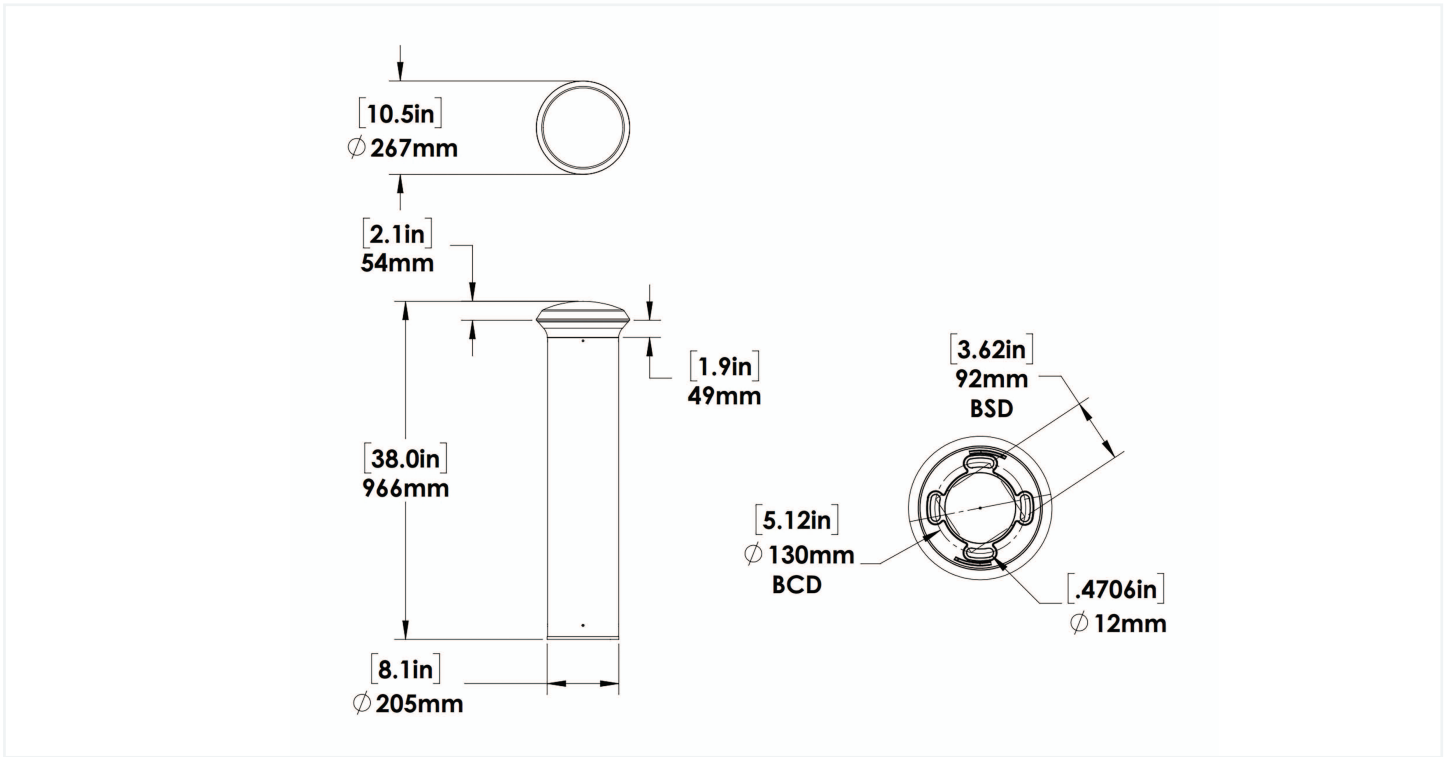
* Standard Configuration

120-277V voltage is DLC Premium, 347V voltage is DLC Standard

Note: Specs mentioned above are for 120-277V, 4000K CCT. Please refer to the table on page 3 for specifications of other configurations



DIMENSIONS:



360 DEGREES ADJUSTABLE HEAD



AMPERAGE DRAW & SURGE PROTECTION							
	CURRENT (A) FOR MAXIMUM WATTAGE					SURGE PROTECTION (kV)	
	120V	208V	240V	277V	347V	120-277V	347V
RAY8-LED	0.31A	0.18A	0.16A	0.14A	0.11A	2kV	

TM-21 ESTIMATED LUMEN MAINTENANCE						
	50,000 Hours		75,000 Hours		100,000 Hours	
	RAY8-LED	87.2%		81.2%		75.6%

WEIGHTS (lbs)	
RAY8-LED	17.6

SPECIFICATIONS								
Model Number	Voltage (V)	Power (W)	Light Output (lm)	Efficacy (lm/W)	THD (%)	PF	CCT (K)	B-U-G
RAY8-LED20-B-3K-180-XXX-DIM	120-277	20	2531	124.1	16.9	0.903	3000	1-3-2
RAY8-LED20-B-4K-180-XXX-DIM	120-277	20	2715	133.1	16.9	0.903	4000	1-3-2
RAY8-LED20-B-5K-180-XXX-DIM	120-277	20	2772	135.9	16.9	0.903	5000	1-3-2
RAY8-LED20-C-3K-180-XXX-DIM	347	23	2472	108.5	17.3	0.935	3000	1-3-2
RAY8-LED20-C-4K-180-XXX-DIM	347	23	2630	116.4	17.0	0.935	4000	1-3-2
RAY8-LED20-C-5K-180-XXX-DIM	347	23	2682	118.8	17.0	0.936	5000	1-3-2
RAY8-LED35-B-3K-360-XXX-DIM	120-277	34	4277	126.7	16.9	0.903	3000	2-3-2
RAY8-LED35-B-4K-360-XXX-DIM	120-277	34	4589	135.9	16.9	0.903	4000	2-3-2
RAY8-LED35-B-5K-360-XXX-DIM	120-277	34	4686	138.7	16.9	0.903	5000	2-3-2
RAY8-LED35-C-3K-360-XXX-DIM	347	38	4277	113.4	11.4	0.936	3000	2-3-2
RAY8-LED35-C-4K-360-XXX-DIM	347	38	4589	121.6	11.4	0.936	4000	2-3-2
RAY8-LED35-C-5K-360-XXX-DIM	347	38	4686	124.2	11.4	0.936	5000	2-3-2

ORDERING GUIDE:

RAY8-LED				DIM			
Fixture	Wattage	Voltage	Colour Temp.	Optics	Finish	Dimming	Misc.
	LED35*	B - 120-277V*	3K - 3000K	360 - Type V*	BRZ - Bronze*	DIM - 0-10V Dimming	BLANK SP10 - 10kV Surge Protection
	LED20	C - 347V	4K - 4000K*	(Only Available in LED35)	BLK - Matte Black*		
			5K - 5000K	180 - Type III	CST - Custom Colour		
				(Only available in LED20)			

* Standard Configuration